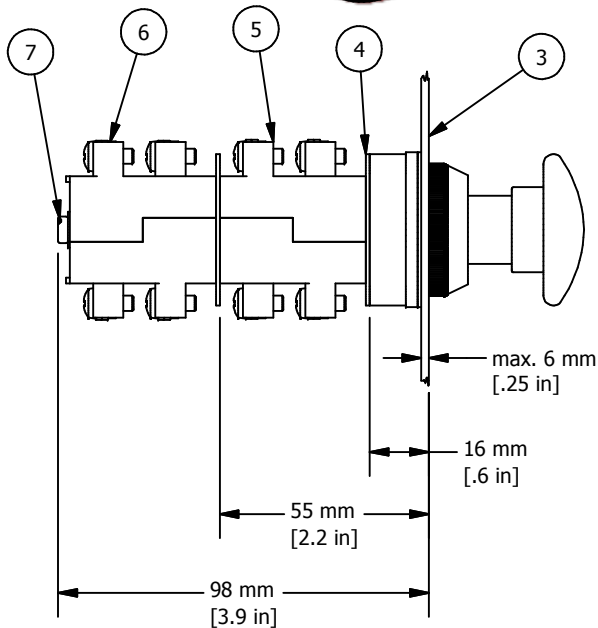
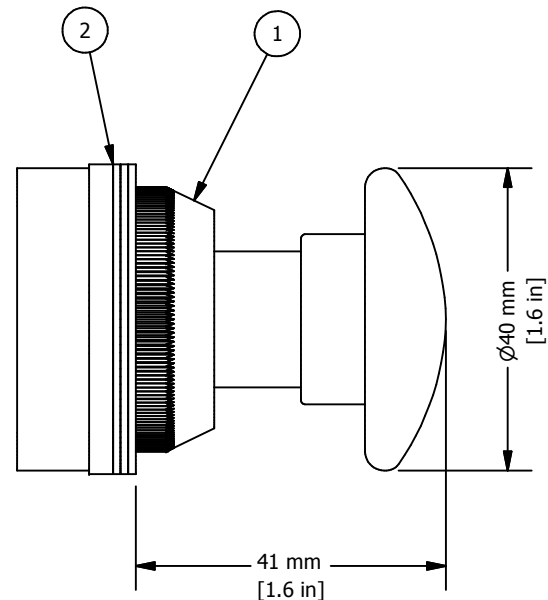
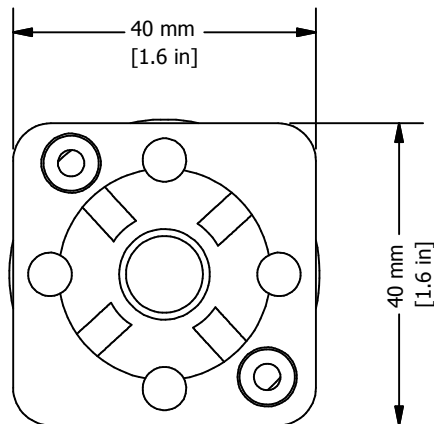
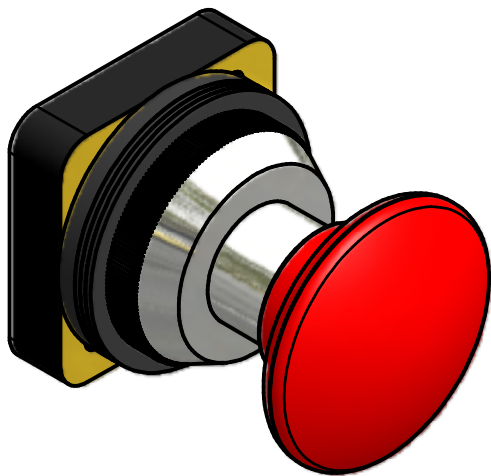


REVISION FOR DWG # 1PB-AMx

REV	CH.NO.	DESCRIPTION	DATE	REVISED BY
-	-	ORIGINAL DESIGN	11/20/2007	PHILIPP E.



\* = Operator includes 3x ARW1.2, 1x ARW3.2  
 \*\* = Switch Contacts include Contact element washer and two SC24 installation screws, if more than two contact blocks are used, additional screws must be purchased separately (SC45, SC65 or SC90)

ITEM	DESCRIPTION	CAT. NO.	COLOR	MIN. QTY.	MAX. QTY.
1*	30 mm Non-Illuminated Mushroom Momentary Metal Operator	AM1	White	1	1
		AM2	Black	1	1
		AM3	Green	1	1
		AM4	Red	1	1
		AM6	Blue	1	1
		AM8	Yellow	1	1
2*	Rubber washer	ARW1.2/ARW3.2	Black	1	4
3	Panel	-	-	-	-
4**	Contact Element washer	-	Black	1	2
5**	Switch Contacts	S11	Red	1	2
6**	Switch Contacts	S12	Yellow	1	2
7**	Contact Block Installation Screws	SC25/SC45/SC65/SC90	-	2	2

UNLESS OTHERWISE SPECIFIED:  
 • ALL DIMENSIONS ARE IN MILLIMETERS  
 • THIRD ANGLE PROJECTION



This Drawing is the property of  
**Altech Corp.**

35 Royal Road  
 Flemington, NJ 08822-6000  
 (908) 806-9400  
 Fax (908) 806-9490

METRIC

TOLERANCE	
XX	= ±1 mm
XX.X	= ±0.5 mm
XX.XX	= ±0.2 mm
ALL	= - mm

AND IS A CONFIDENTIAL DISCLOSURE WITHOUT CONSIDERATION OTHER THAN THE BORROWER'S AGREEMENT THAT IT SHALL NOT BE REPRODUCED, COPIED, LENT OR DISPOSED OF DIRECTLY OR INDIRECTLY NOR USED FOR ANY PURPOSE OTHER THAN THAT FOR WHICH IT IS SPECIFICALLY FURNISHED.

TITEL **30 mm Non-Illuminated Mushroom Momentary Metal Operator AMx (x=color)**

DRAWN BY: Philipp Ernstberger	11/20/2007	DRAWING NO.:	REV.:
CHECKED BY: Laszlo Gyorgypal		1PB-AMx	-
RELEASED BY: Laszlo Gyorgypal		SCALE: -	SHEET: 1 OF: 1