

AC Current transducer AK-B-

A split Core transducer for the electronic measurement AC sinusoidal waveforms current, with galvanic isolation between the primary (High power) and the secondary circuits (Electronic circuit). Jumper selectable ranges and self powered transducers.



$I_{PN} = 10..200A$



Electrical data

Primary Nominal Current	Analogue Output Signal ¹⁾	Type	RoHS
I_{PN} (A.t RMS)	V_{OUT} (V DC)		Date Code
10,20,50	5	AK 50 B5	JULY 2006
10,20,50	10	AK 50 B10	
100,150,200	5	AK 200 B5	
100,150,200	10	AK 200 B10	JULY 2006

V _c	Supply voltage	Self Powered	
R _L	Load resistance	1	MΩ
V _b	Rated voltage (CAT III, PD2)	150	V AC
V _d	RMS Isolation voltage test, 50 Hz, 1mn	3	kV AC
f	Frequency bandwidth	50-60	Hz

Accuracy - Dynamic performance data

X	Accuracy @ $I_{PN}, T_A=25^{\circ}C$	± 1	%
t _r	Response time @ 90% of I_{PN}	< 100	mS

General data

T _A	Ambient operating temperature (0-95% RH)	-20..+50	°C
T _S	Ambient storage temperature	-20..+85	°C
m	Mass	120	g
	Protection type	IP20	
	Safety	IEC 61010-1	
	EMC	EN 61326	

Note: ¹⁾ For 0-5 V output model, no saturation output up to 8.2 V and for 0-10 V output model, no saturation output up to 15 V

Features

- AC sinusoidal measurement
- Average responding
- Split core box
- Self powered transducers
- Panel mounting
- Voltage output
- Jumper selectable ranges

Advantages

- Large aperture
- High isolation between primary and secondary circuits
- Easy to mount

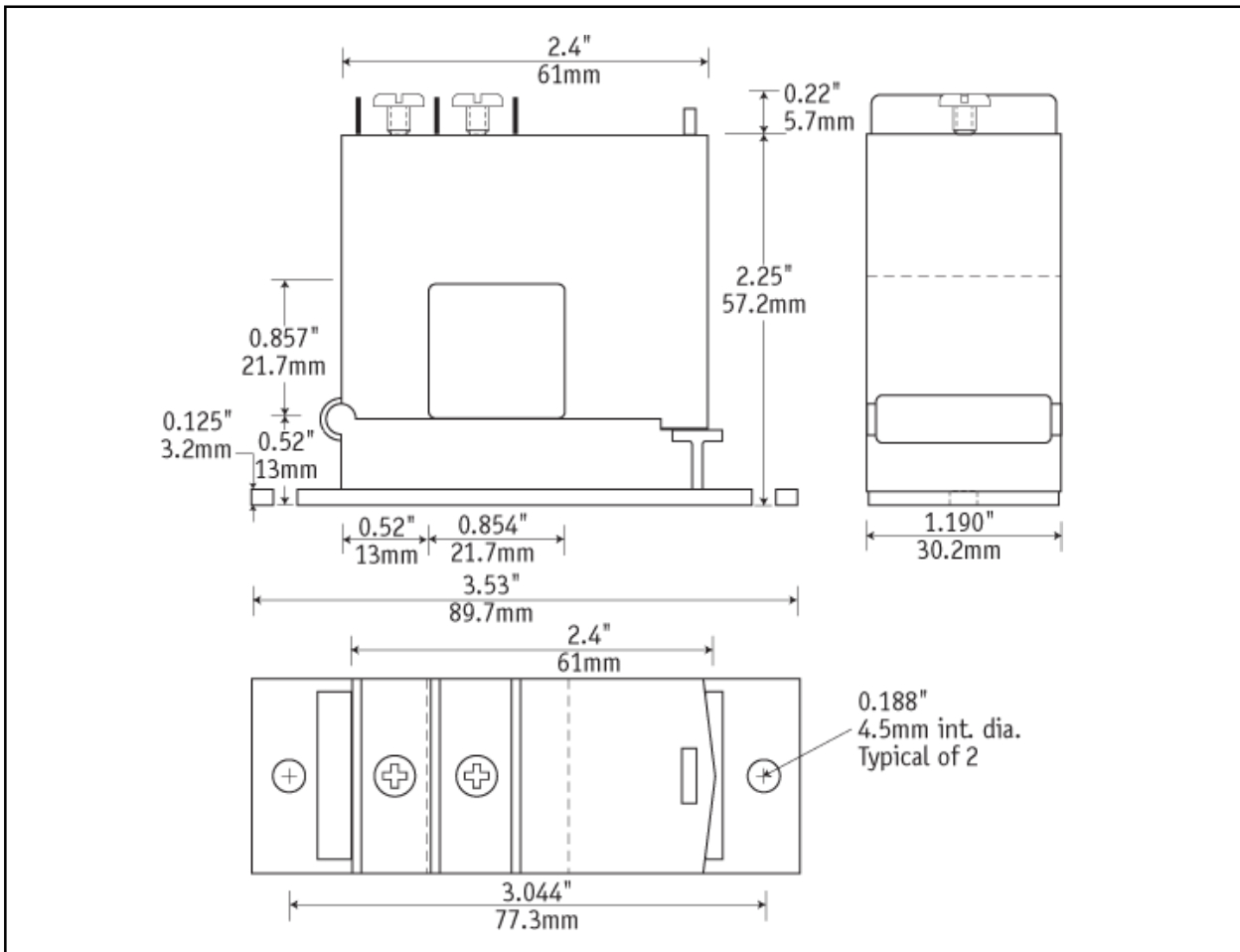
Applications

- Automation systems
Analog current reading for remote monitoring (e.g. motor).
- Data loggers
Self-powered transducer does not drain data logger batteries.
- Panel meters
Simple connection displays power consumption.

Options on request

- DIN mounting

Dimensions AK-B- (unit : mm, 1mm = 0.0394 inch)



Mechanical characteristics

- General tolerance ± 1 mm
- Primary aperture 21.7 mm sq.
- Panel mounting 2 holes \varnothing 4.5mm
- Distance between holes 77.3 mm

Remark

- Temperature of the primary conductor should not exceed 60°C.

Connections

- 2 x UNC8 Cylindric Head

