

AZ DISPLAYS, INC.

SPECIFICATIONS FOR LIQUID CRYSTAL DISPLAY

PART NUMBER:

AGM3224D

DATE:

May 20, 2005

1. MECHANICAL DATA

NO	ITEM	CONTENTS	UNIT
1	Product No.	AGM3224D-FLW-FBW	–
2	Module Size	160.0 (W) x 109.0 (H) x MAX.11.0 (D)	mm
3	Dot Size	0.33 (W) x 0.33 (H)	mm
4	Dot Pitch	0.36 (W) x 0.36 (H)	mm
5	Number of Dots	320 (W) x 240 (H)	Dot
6	Duty	1/240	–
7	LCD Display Mode	Black and White(Normally White/Positive Image)	–
8	Rear Polarizer	Transflective(Normal)	–
9	Viewing Direction	6	O'clock
10	Backlight	LED B/L(White)	–
11	Controller	Excluded	–
12	DC/DC Converter	Excluded	–
13	Touch Panel	Excluded	–
14	Weight	200 (Approx.)	g

2. ABSOLUTE MAXIMUM RATINGS

(1) ELECTRICAL ABSOLUTE RATINGS

VSS=0V

ITEM	SYMBOL	MIN	MAX	UNIT	COMMENT
Power Supply for Logic	VDD-VSS	-0.3	7.0	V	
Input Voltage	VI	-0.3	VDD+0.3	V	
Static Electricity	-	-	-	-	Note 1

Note 1 LCM should be grounded during handling LCM.

(2) ENVIRONMENTAL ABSOLUTE MAXIMUM RATINGS

ITEM	WIDE TEMP.			
	OPERATING		STORAGE	
	MIN.	MAX.	MIN.	MAX.
Ambient Temperature	-20	70	-40	80
Humidity (Without Condensation)	Note 2,4		Note 3,4	

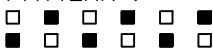
Note 2 $T_a \leq 70^\circ\text{C}$: 75%RH max

Note 3 Please refer to item of reliability test

Note 4 Background color will change slightly depending on ambient temperature.
That phenomenon is reversible.

3. ELECTRICAL CHARACTERISTICS

3-1. ELECTRICAL CHARACTERISTICS

ITEM	SYMBOL	CONDITION		MIN.	TYP.	MAX.	UNIT
Power Supply for Logic	VDD-GND	-		4.75	5.0	5.25	V
Input Voltage	VIH	H level		0.7VDD	-	VDD	V
	VIL	L level		0	-	0.3VDD	V
Recommended LC Driving Voltage	VDD-V0	Duty=1/240	-20°C	25.4	25.7	26.0	V
			0°C	23.8	24.1	24.4	
			25°C	22.9	23.2	23.5	
			50°C	21.5	21.8	22.1	
			70°C	20.5	20.8	21.1	
Power Supply Current	IDD	FLM = 70 Hz VDD = 5.0 V VEE = -24.0 V VDD-V0 = 23.2 V		-	4.5	7	mA
	IEE	PATTERN : 		-	4	6	mA
Surface Luminance of LCM	L	PATTERN: (Dots All ON)		-	6	10	cd/m ²
		PATTERN: (Dots All Off)		15	25	-	

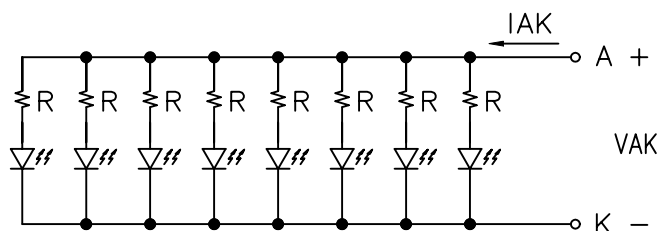
3-2.ELECTRICAL CHARACTERISTICS OF BACKLIGHT

Used LED Rating

Temp.=25°C

ITEM	SYMBOL	MIN.	TYP.	MAX.	UNIT	REMARK
Peak forward current	I_P	-	-	240	mA	-
Maximum reverse voltage	V_R	-	-	5	V	-
Applied forward current	I_{AK}	-	150	160	mA	at $V_{AK} = 5.0$ V
Applied forward voltage	V_{AK}	-	5.0	-	V	at $I_{AK} = 150$ mA
LED power consumption	P_F	-	0.75	-	W	-
LED life time	L_L	-	10000	-	hrs	at $V_{AK} = 150$ mA (*1)

(*1) LED life time is defined as follows : The final brightness is at 50% of original brightness .



4. OPTICAL CHARACTERISTICS

AT V_{OP}

ITEM		Cr(Contrast Ratio)										θ(Viewing Angle)		φ(Viewing Angle)	
		-20℃		0℃		25℃		50℃		70℃		25℃		25℃	
MODE		MIN.	TYP.	MIN.	TYP.	MIN.	TYP.	MIN.	TYP.	MIN.	TYP.	MIN.	TYP.	MIN.	TYP.
S	J	4.5	5.5	5.5	6.5	5.5	6.5	4.5	5.5	3.0	4.0	-	66	-	±34
NOTE		NOTE 6										NOTE 5			

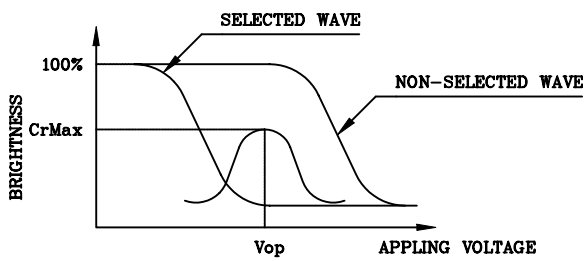
NOTE : S: Transflective(Normal)
 J: Normally White , 6 O'clock

AT φ=0° θ=0°

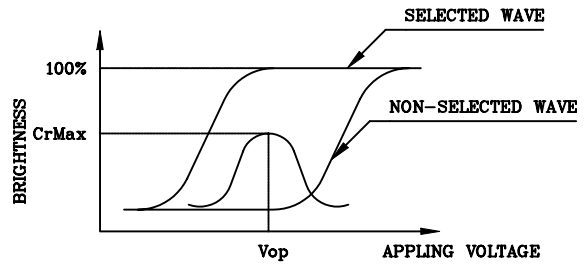
ITEM	SYMBOL	CONDITION	MIN.	TYP.	MAX.	UNIT	NOTE
Response Time (rise)	Tr	-20℃	2000	4000	6000	ms	NOTE 2
		0℃	400	750	1100		
		25℃	125	250	375		
		50℃	60	120	180		
		70℃	35	70	105		
Response Time (fall)	Tf	-20℃	1000	2000	3000	ms	NOTE 2
		0℃	210	420	630		
		25℃	60	120	180		
		50℃	30	60	90		
		70℃	20	40	60		

(NOTE 1)

Definition of Operation Voltage(Vop)



(positive type)



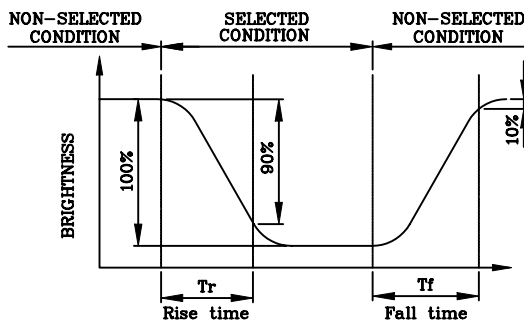
(negative type)

*Conditions

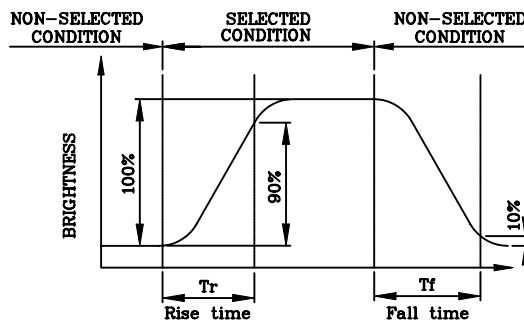
- Viewing Angle : 0
- Frame Frequency : 70Hz
- Applying Waveform : 1/N duty 1/a bias

(NOTE 2)

Definition of Response Time(Tr,Tf)



(positive type)



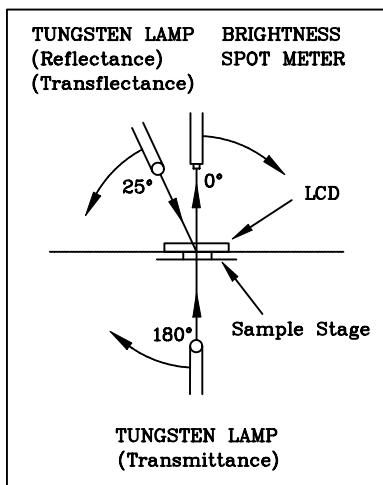
(negative type)

*Conditions

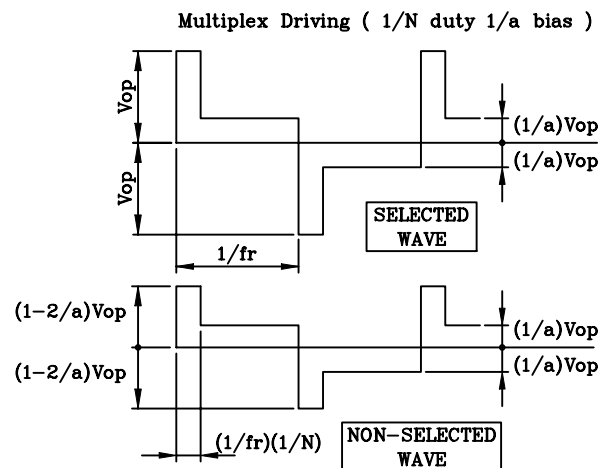
- Operating Voltage : Vop
- Viewing Angle (θ,φ) : (0,0)
- Frame Frequency : 70Hz
- Applying Waveform : 1/N duty 1/a bias

(NOTE 3)

Description of Measuring Equipment and Driving Waveforms

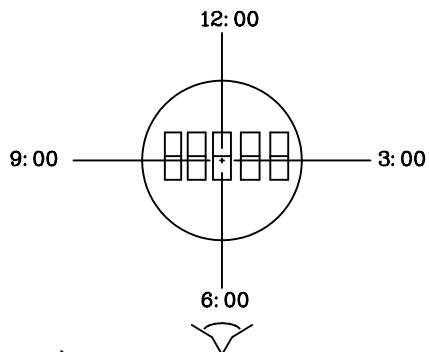


CONST.
TEMP.
CHAMBER



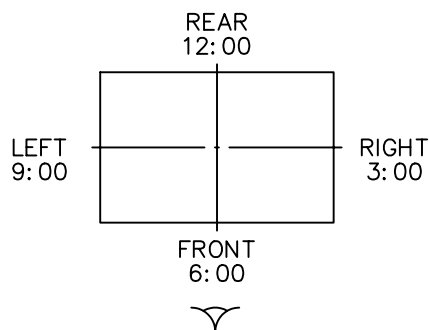
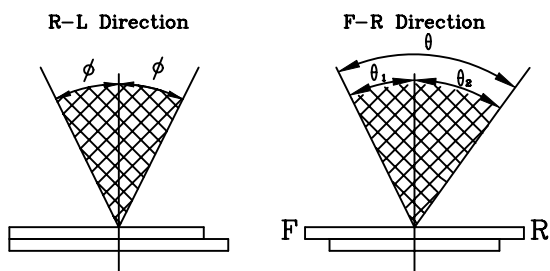
(NOTE 4)

Definition of Viewing Direction



(NOTE 5)

Definition of Viewing Angle



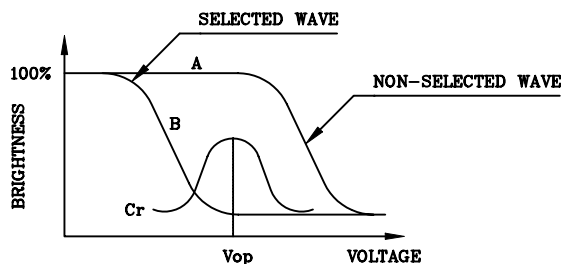
$$\theta = \theta_1 + \theta_2$$

***Conditions**

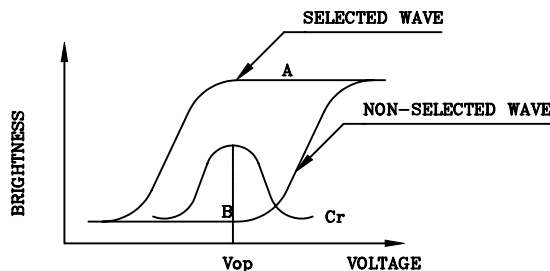
- Operating Voltage : V_{op}
- Frame Frequency : 70Hz
- Applying Waveform : 1/N duty 1/a bias
- Contrast Ratio : larger than 2

(NOTE 6)

Definition of Contrast Ratio (Cr)



(positive type)



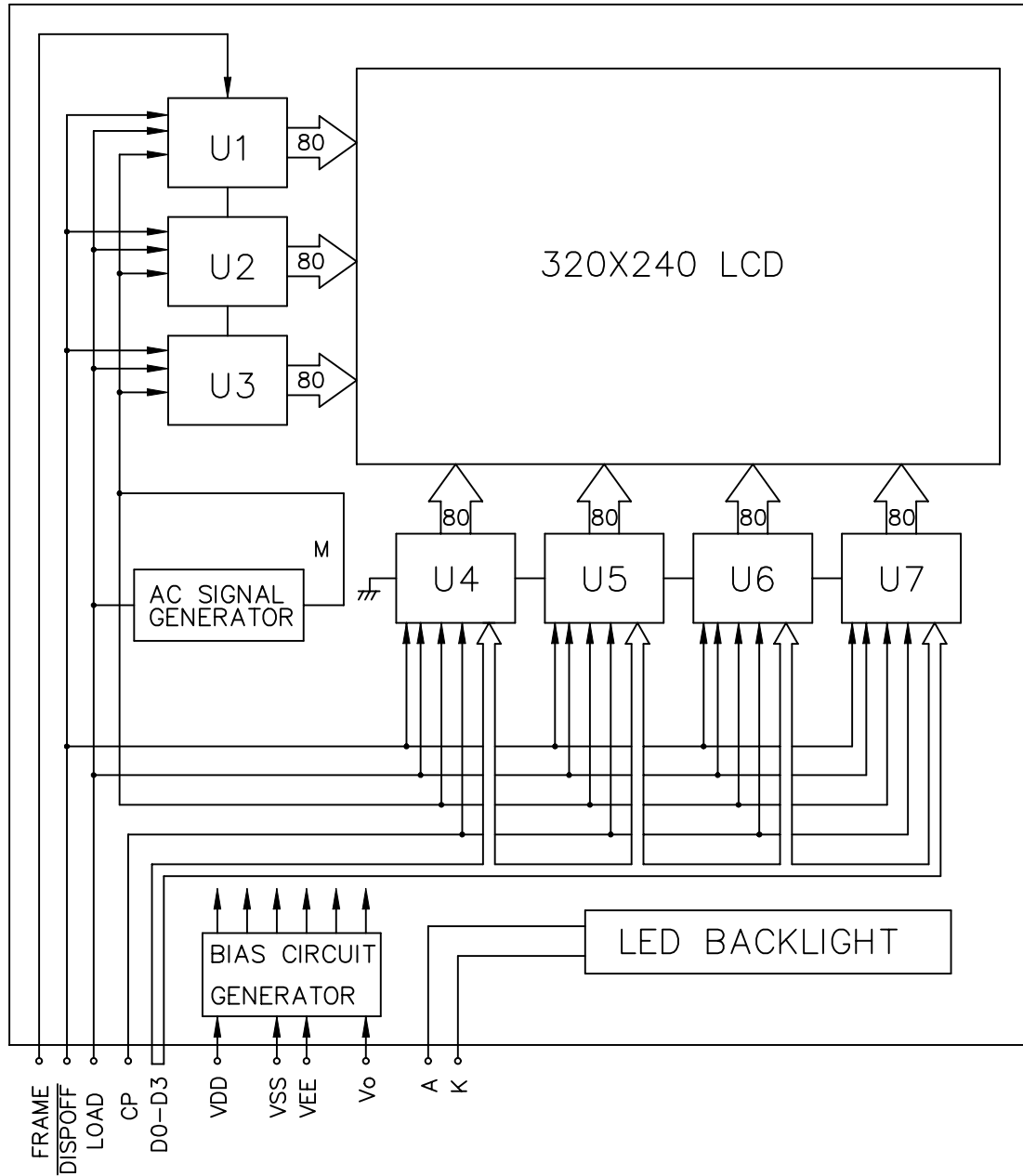
(negative type)

Contrast Ratio : $Cr = A/B$

***Conditions**

- Viewing Angle : 0
- Frame Frequency : 70Hz
- Applying Waveform : 1/N duty 1/a bias

5. BLOCK DIAGRAM



* AC SIGNAL SETTING

J1	J2	J3	J4	J5	J6	J7	J8
L	H	H	L	L	L	L	L

6. INTERNAL PIN CONNECTION

CN1:PITCH 1.25mm WIDTH 18.75mm

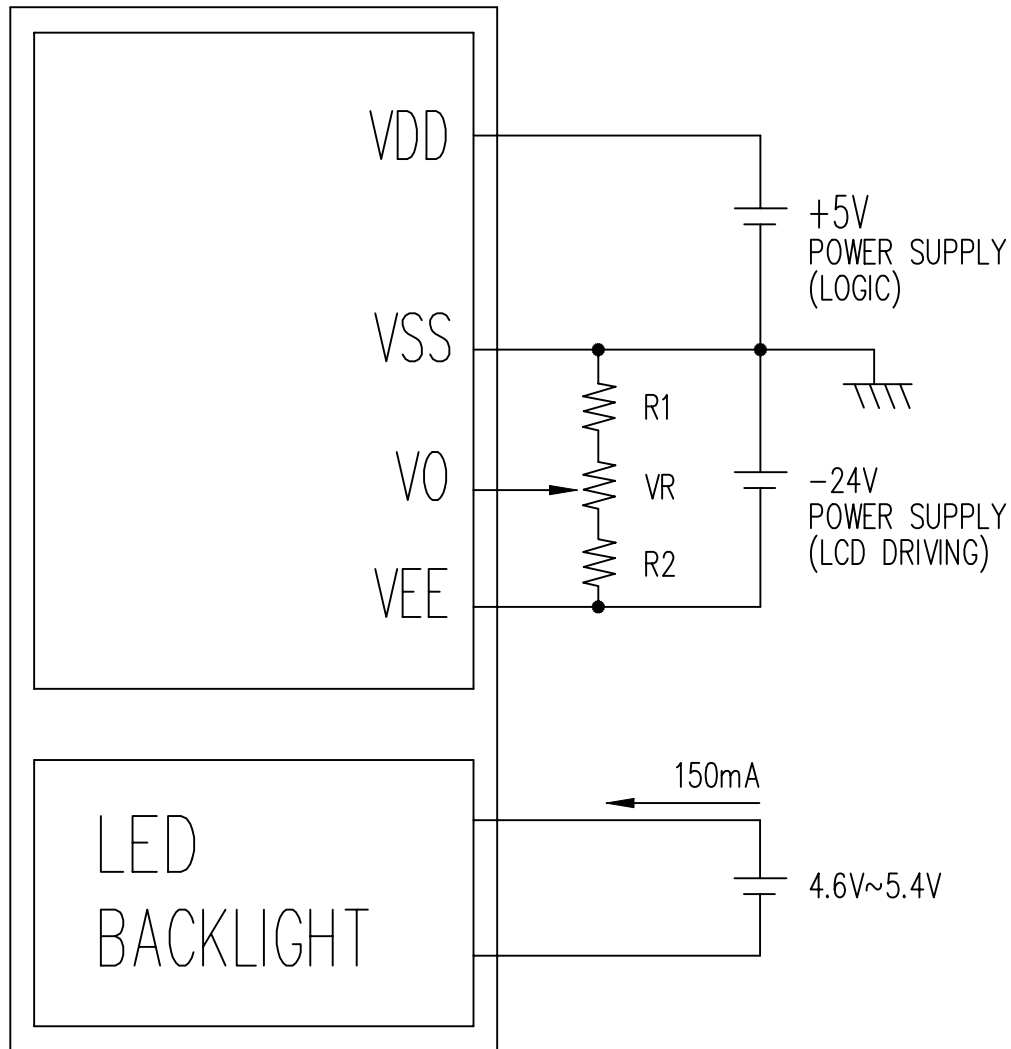
PIN NO.	SYMBOL	LEVEL	FUNCTION
1	D0	H/L	DISPLAY DATA SIGNAL
2	D1		
3	D2		
4	D3		
5	DISPOFF	H/L	H:ON/L:OFF
6	FRAME	H	SCAN START-UP SIGNAL
7	NC	-	NO CONNECTION
8	LOAD	H-L	INPUT DATA LATCH SIGNAL
9	CP	H-L	DATA INPUT CLOCK SIGNAL
10	VDD	-	POWER SUPPLY FOR LOGIC(+5V)
11	VSS	-	SIGNAL GROUND(0V)
12	VEE	-	POWER SUPPLY FOR LCD
13	VO	-	LCD CONTRAST ADJUST VOLTAGE
14	FGND	-	FRAME GROUND

CN2:J.A.E./IL-G-4S-S3C2

PIN NO.	SYMBOL	LEVEL	FUNCTION
1	A	-	POWER SUPPLY VOLTAGE FOR LED
2	NC	-	-
3	NC	-	-
4	K	-	GROUND

7. POWER SUPPLY

LCM



(Note)

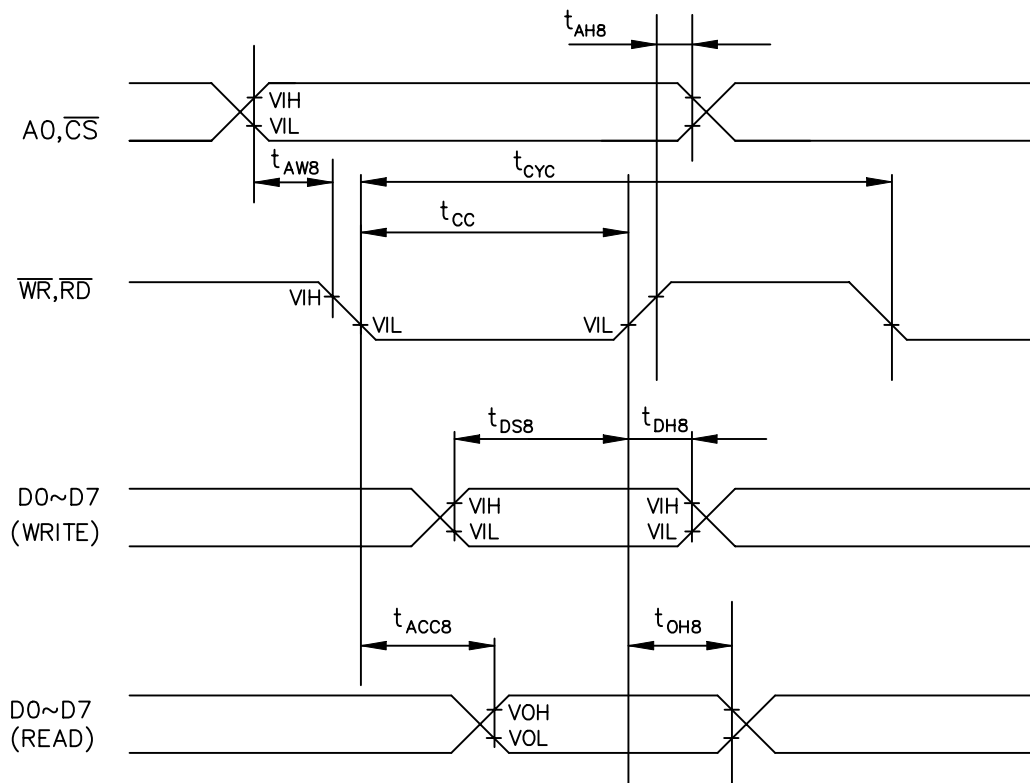
$$1. R1 + VR + R2 = 10K \sim 20K \Omega$$

8. TIMING CHARACTERISTICS

8-1. READ/WRITE CHARACTERISTICS(8080 FAMILY MPU)

VDD=5.0V±5%

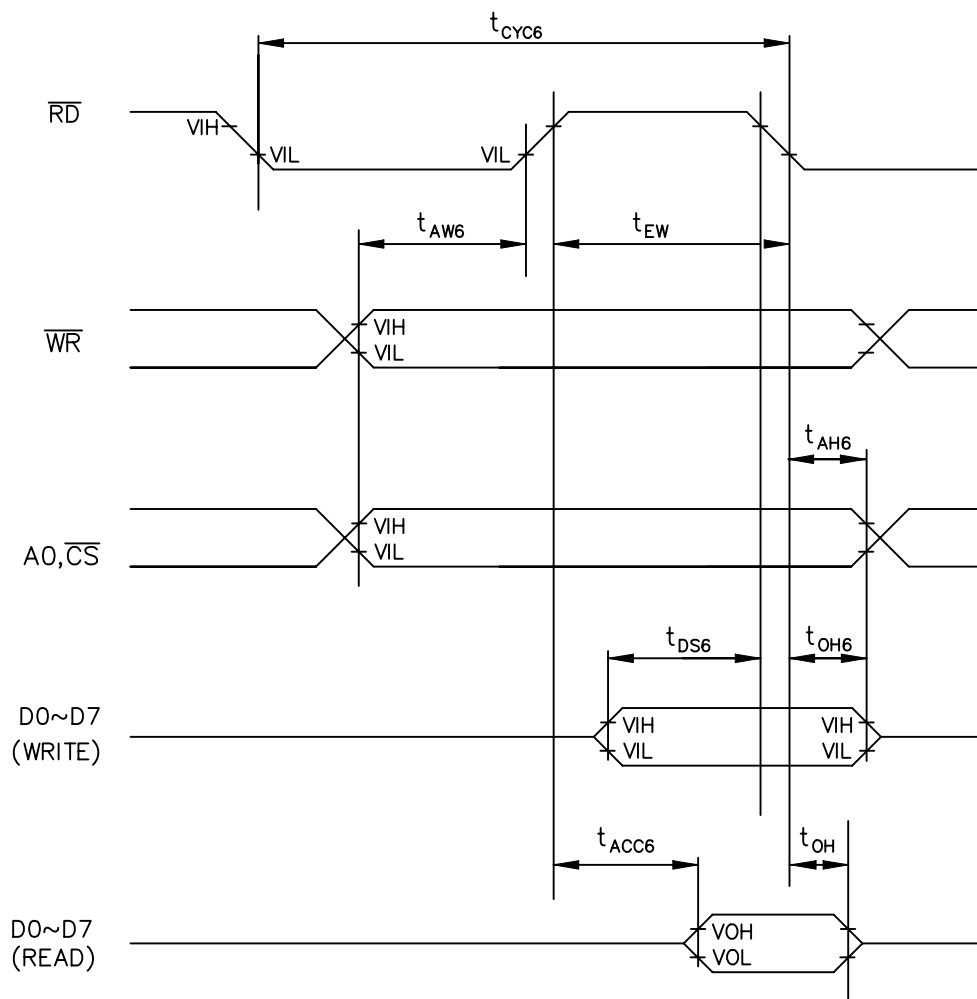
ITEM	ITEM	SYMBOL	MIN.	TYP.	MAX.	UNIT
A0, \overline{CS}	ADDRESS HOLD TIME	t_{AH8}	10	-	-	ns
	ADDRESS SETUP TIME	t_{AW8}	0	-	-	ns
$\overline{WR}, \overline{RD}$	SYSTEM CYCLE TIME	t_{cyc8}	1	-	-	ns
	STROBE PULSE WIDTH	t_{cc}	120	-	-	ns
D0 to D7	DATA HOLD TIME	t_{DH8}	5	-	-	ns
	DATA SETUP TIME	t_{DS8}	120	-	-	ns
	\overline{RD} ACCESS TIME	t_{ACC8}	-	-	50	ns
	OUTPUT DISABLE TIME	t_{OH8}	10	-	50	ns



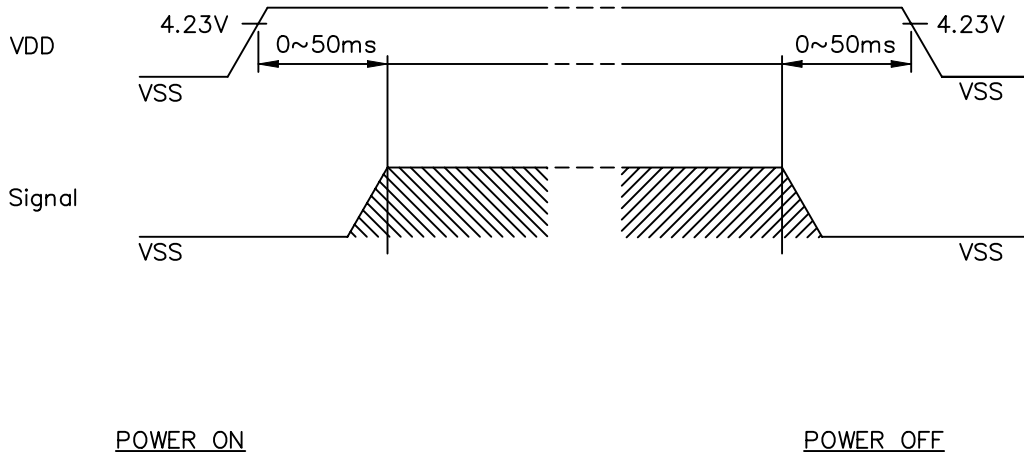
8-2.READ/WRITE CHARACTERISTICS(6800 FAMILY MPU)

VDD=5.0V±5%

ITEM	ITEM	SYMBOL	MIN.	TYP.	MAX.	UNIT
A0, \overline{CS} , \overline{WR}	ADDRESS HOLD TIME	t_{AH6}	0	-	-	ns
	ADDRESS SETUP TIME	t_{AW6}	0	-	-	ns
	SYSTEM CYCLE TIME	t_{CYC6}	1	-	-	ns
D0 to D7	DATA HOLD TIME	t_{DH6}	0	-	-	ns
	DATA SETUP TIME	t_{DS6}	100	-	-	ns
	ACCESS TIME	t_{ACC6}	-	-	85	ns
	OUTPUT DISABLE TIME	t_{OH6}	10	-	50	ns
\overline{RD}	ENABLE PULSE WIDTH	t_{RDW}	120	-	50	ns



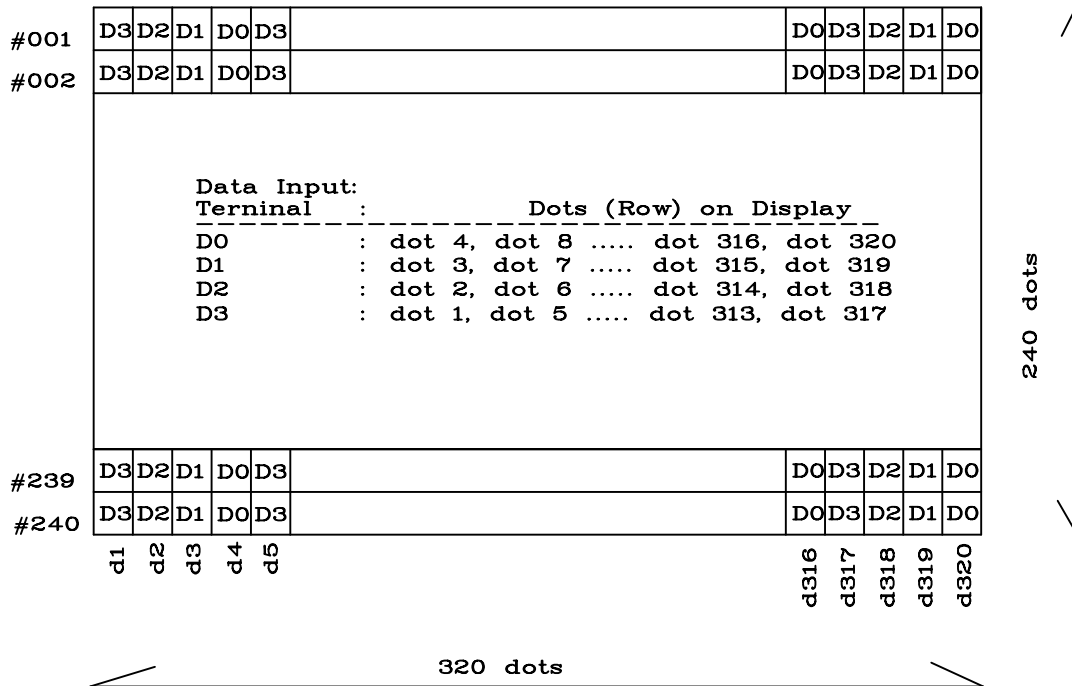
8-3. POWER ON/OFF TIMING



(Note)

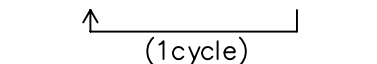
The missing pixels may occur when the LCM is driven beyond above power interface timing sequence.

8-4.DISPLAY PATTERN



9. RELIABILITY TEST

WIDE TEMPERATURE RELIABILITY TEST

NO	ITEM	CONDITION			STANDARD	NOTE
1	High Temp. Storage	70°C	120Hrs		Appearance without defect	
2	Low Temp. Storage	-40°C	120Hrs		Appearance without defect	
3	High Temp. & High Humi. Storage	60°C 90%RH	120Hrs		Appearance without defect	
4	High Temp. Operating Display	60°C	120Hrs		Appearance without defect	
5	Low Temp. Operating Display	-20°C	120Hrs		Appearance without defect	
6	Thermal Shock	-20°C, 30min → 70°C, 30min 			Appearance without defect	10 cycles

