

AZ DISPLAYS, INC.

COMPLETE LCD SOLUTIONS

SPECIFICATIONS FOR LIQUID CRYSTAL DISPLAY

PART NUMBER: □□ □ □ ACM1602YE Series

DATE: □ □ □ □ □ □ JUNE 12, 2007

1.0 MECHANICAL SPECS

1. Overall Module Size	93.55mm(W) x 36.0mm(H) x max 18.8mm(D)
2. Dot Size	0.56mm(W) x 0.61mm(H)
3. Dot Pitch	0.61mm(W) x 0.66mm(H)
4. Duty	1/16
5. Controller IC	S6A0069
6. LC Fluid Options	STN
7. Polarizer Options	Transflective
8. Backlight	Yellow-Green LED

2.0 ABSOLUTE MAXIMUM RATINGS

Item	Symbol	Min	Typ	Max	Unit
Operating temperature	Top	-40	-	70	°C
Storage temperature	Tst	-40	-	80	°C
Input voltage	Vin	Vss		Vdd	V
Supply voltage for logic	Vdd- Vss	2.7	-	5.5	V
Supply voltage for LCD drive	Vdd- Vo	3.0	-	13.0	V

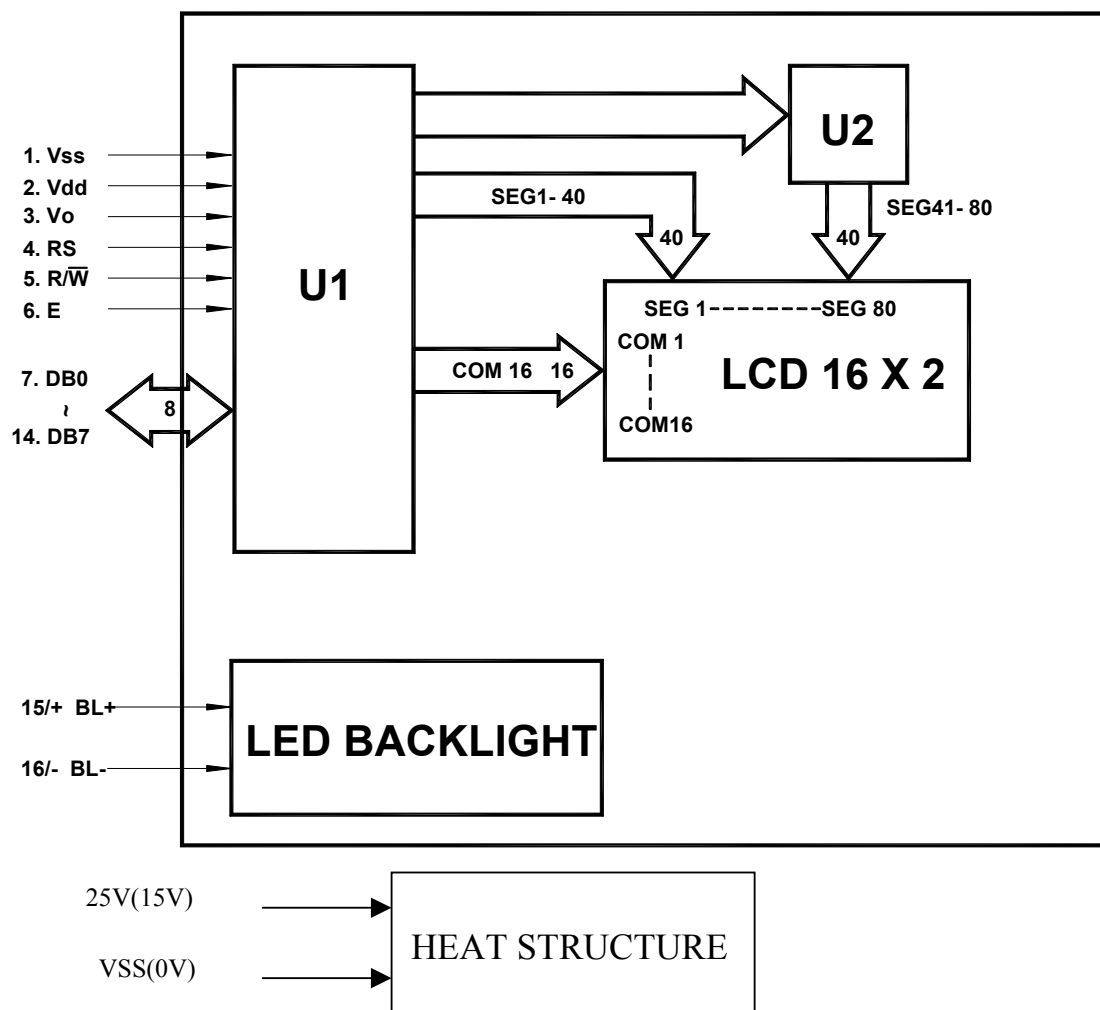
3.0 ELECTRICAL CHARACTERISTICS

Item	Symbol	Condition	Min	Typ	Max	Unit	
Input voltage (high)	Vih	H level	2.2	-	Vdd	V	
Input voltage (low)	Vil	L level	0	-	0.6	V	
Recommended LC Driving Voltage (Wide Temp)	Vdd -Vo	-40°C	4	.3	4.6	4.9	V
		25°C	4	.3-	4.6	4.9	
		70°C	3	.5	4.2	4.4	
Power Supply Current	Idd	Vdd=5.0V, fosc=270kHz	-	3.0	3.5	mA	
Current For Heat Structure	Iheat	(V25V)-(VSS)=15V	380	4 00	440	mA	
LED Power Supply Voltage	VBL+	R=5.0	-	5.0	-	V	
LED Power Supply Current	Ifled	R=5.0	-	150	300	mA	
Response time (fall)	Tf	$\phi=0^\circ, \theta=0^\circ$	-	120	150	ms	

4.0 OPTICAL CHARACTERISTICS (Ta=25°C, Vdd= 5.0V±0.25V, STN LC fluid)

Item	Sy	mbol	Condition	Min	Typ	Max	Unit
Viewing angle (horizontal)	θ	Cr	≥ 2.0	-60	-	35	deg
Viewing angle (vertical)	ϕ	Cr	≥ 2.0	-40	-	40	deg
Contrast Ratio		Cr	$\phi=0^\circ, \theta=0^\circ$	-	6	-	
Response time (rise)		Tr	$\phi=0^\circ, \theta=0^\circ$	-	150	250	ms
Response time (fall)		Tf	$\phi=0^\circ, \theta=0^\circ$	-	150	250	ms

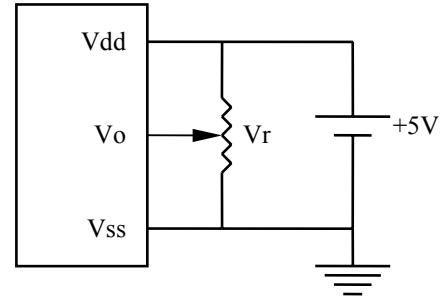
5.0 BLOCK DIAGRAM



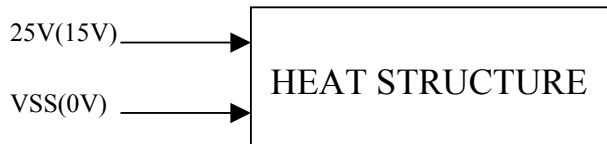
6.0 PIN ASSIGNMENT

Pin No.	Symbol	Function
1	Vs s	Ground
2	Vd d	+5V
3	V o	LCD contrast adjust
4	RS	Register select
5	R/W	Read / write
6	E	Enable
7	DB0	Data bit 0
8	DB1	Data bit 1
9	DB2	Data bit 2
10	DB3	Data bit 3
11	DB4	Data bit 4
12	DB5	Data bit 5
13	DB6	Data bit 6
14	DB7	Data bit 7
15/+	BL+	Power Supply for BL+
16/-	BL-	Power Supply for BL-
	V25V	Power Supply for Heater(15V)
	Vss	Ground

7.0 POWER SUPPLY



$V_r = 10K \sim 20K$



The heater automatically start working under $-7 \sim -10$ °C, environment.

8.0 TIMING CHARACTERISTICS

Item	Sy	mbol	Test Condition	Min.	Typ.	Max.	Unit
Enable cycle time		t_c	Fig. a, Fig. b	500	-	-	ns
Enable pulse width		t_w	Fig. a, Fig. b	230	-	-	ns
Enable rise/fall time		t_r, t_f	Fig. a, Fig. b	-	-	20	ns
RS, R/W set up time		t_{su}	Fig. a, Fig. b	40	-	-	ns
RS, R/W hold time		t_h	Fig. a, Fig. b	10	-	-	ns
Data delay time		t_d	Fi g. b	-	-	120	ns
Data set up time		t_{dsu}	Fi g. a	80	-	-	ns
Data hold time		t_{dh}	Fig. a, Fig. b	10	-	-	ns

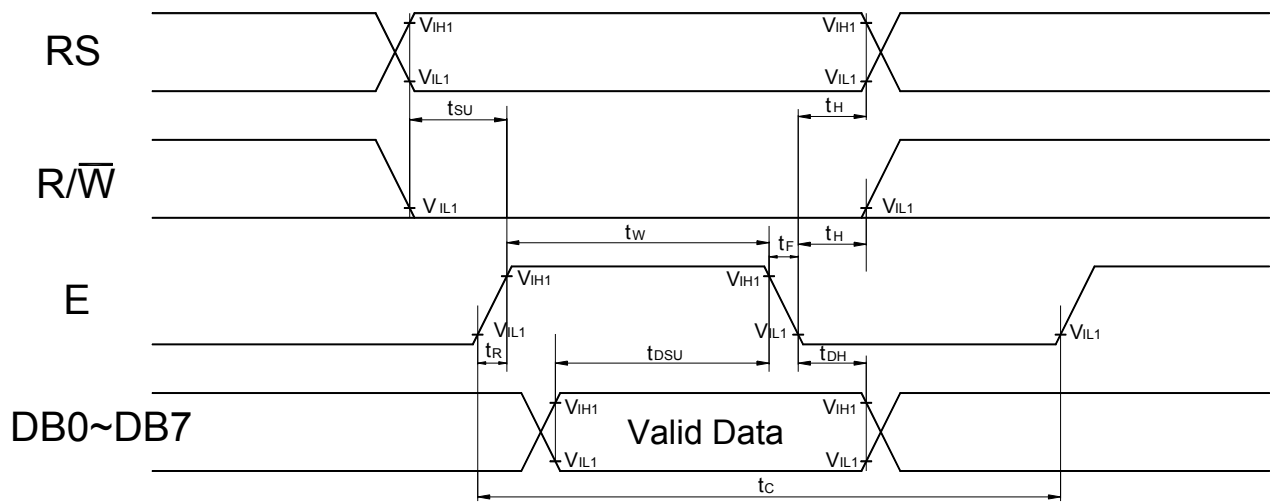


Fig. a Interface timing (data write)

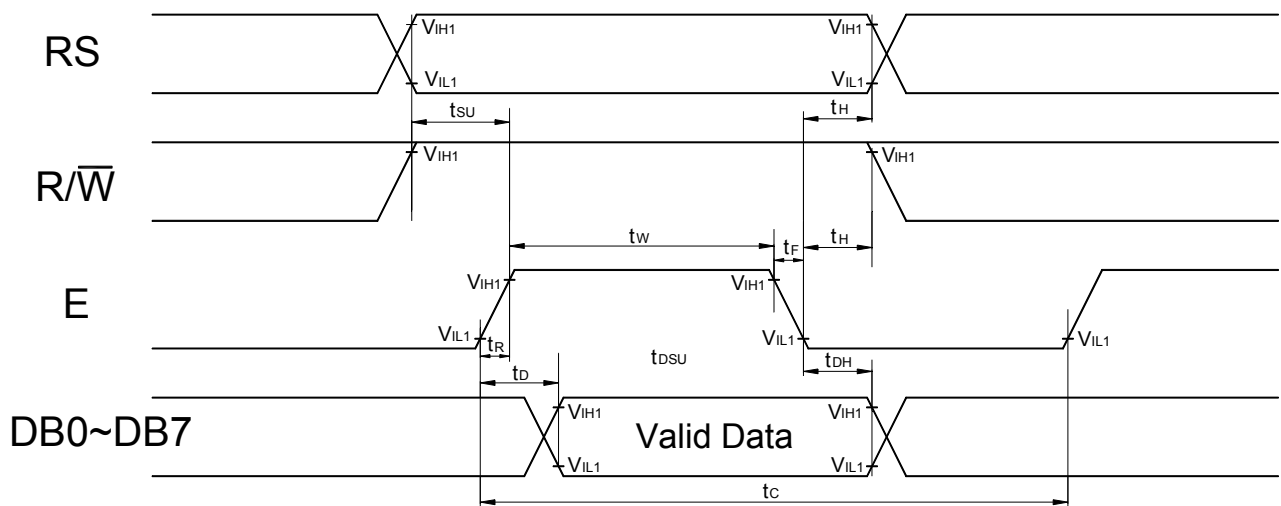
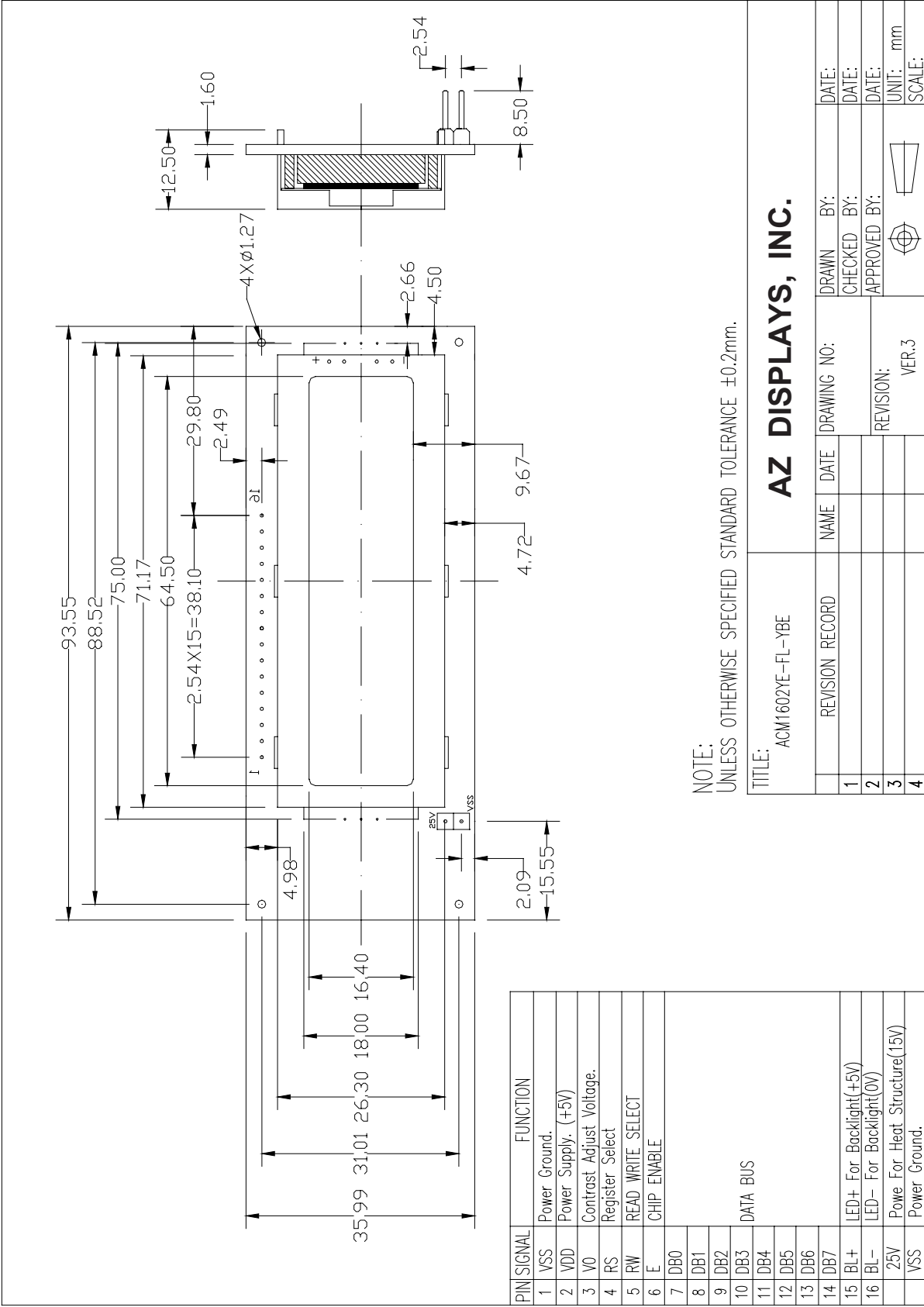


Fig. b Interface timing (data read)

9.0 MECHANICAL DIAGRAM



10.0 RELIABILITY TEST

Storage Condition	Content	Evaluations and Assessment*			
		Current Consumption	Oozing	Contrast	Other Appearances
Operation at high temperature and humidity	40°C, 90% RH, 240hrs	Twice initial value or less	none	More than 80% of initial value	No abnormality
High temperature storage	60°C, 240hrs	Twice initial value or less	none	More than 80% of initial value	No abnormality
Low temperature storage	-20°C, 240hrs	Twice initial value or less		More than 80% of initial value	No abnormality

*Evaluations and assessment to be made two hours after returning to room temperature (25°C±5°C).

*The LCDs subjected to the test must not have dew condensation.

11.0 DISPLAY INSTRUCTION TABLE

COMMAND	R S	R/ W	DB 7	DB 6	DB 5	DB 4	DB 3	DB 2	DB 1	DB 0	DESCRIPTION	Executing time fosc=250khz
Clear Display	0	0	0	0	0	0	0	0	0	1	Clears Display & Returns to Address 0.	1.64ms
Cursor at Home	0	0	0	0	0	0	0	0	1	x	Returns Cursor to Address 0. Also returns the display being shifted to the original position. DDRAM contents remain unchanged.	1.64ms
Entry Mode Set	0	0	0	0	0	0	0	1	I/D	S	I/D: Set Cursor Moving Direction I/D=1: Increment I/D=0: Decrement S: Specify Shift of Display S=1: The display is shifted S=0: The display is not shifted	40µs
Display ON/OFF Control	0	0	0	0	0	0	1	D	C	B	Display D=1: Display on D=0: Display off Cursor C=1: Cursor on C=0: Cursor off Brink B=1: Brink on B=0: Brink off	40µs
Cursor / Display Shift	0	0	0	0	0	1	S/C	R/L	x	x	Moves cursor or shifts the display w/o changing DD RAM contents S/C=0: Cursor Shift (RAM unchanged) S/C=1: Display Shift (RAM unchanged) R/L=1: Shift to the Right R/L=0: Shift to the Left	40µs
Function Set	0	0	0	0	1	DL	N	F	x	x	Sets data bus length (DL), # of display lines (N), and character fonts (F). DL=1: 8 bits F=0: 5x7 dots DL=0: 4 bits F=1: 5x10 dots N=0: 1 line display N=1: 2 lines display	40µs
Set CG RAM Address	0	0	0	1	Character Generator (CG) RAM Address						Sets CG RAM address. CG RAM data is sent and received after this instruction.	40µs
Set DD RAM Address	0	0	1	Display Data (DD) RAM Address / Cursor Address						Sets DD RAM address. DD Ram data is sent and received after this instruction.	40µs	
Busy Flag / Address Read	0	1	B F	Address counter used for both DD & CG RAM address						Reads Busy Flag (BF) and address counter contents.	40µs	
Write Data	1	0	Write Data								Writes data into DDRAM or CGRAM.	46µs
Read Data	1	1	Read Data								Reads data from DDRAM or CGRAM.	46µs

x: Don't Care

12.0 STANDARD CHARACTER PATTERNS

Lower 4 Bits \ Upper 4 Bits	0000	0001	0010	0011	0100	0101	0110	0111	1000	1001	1010	1011	1100	1101	1110	1111
xxxx0000	CG RAM (1)			0	Q	P	`	P				-	夕	三	×	P
xxxx0001	(2)		!	1	A	Q	a	q			。	ア	チ	△	△	q
xxxx0010	(3)		"	2	B	R	b	r			「	イ	ツ	×	β	θ
xxxx0011	(4)		#	3	C	S	c	s			」	ウ	テ	モ	ε	∞
xxxx0100	(5)		\$	4	D	T	d	t			、	エ	ト	ト	μ	Ω
xxxx0101	(6)		%	5	E	U	e	u			・	オ	ナ	1	ε	Ω
xxxx0110	(7)		&	6	F	V	f	v			ヲ	カ	ニ	ヨ	ρ	Σ
xxxx0111	(8)		'	7	G	W	g	w			ア	キ	ヌ	ラ	g	π
xxxx1000	(1)		(8	H	X	h	x			イ	ク	ネ	リ	、	Σ
xxxx1001	(2))	9	I	Y	i	y			ウ	ケ	ル	ル	、	γ
xxxx1010	(3)		*	:	J	Z	j	z			エ	コ	ソ	レ	j	キ
xxxx1011	(4)		+	;	K	[k	[オ	サ	ヒ	ロ	∞	万
xxxx1100	(5)		,	<	L	¥	l	l			カ	シ	フ	ワ	Φ	円
xxxx1101	(6)		-	=	M]	m]			ユ	ス	△	△	モ	÷
xxxx1110	(7)		.	>	N	^	n	^			ヨ	セ	ホ	°	円	
xxxx1111	(8)		/	?	O	_	o	+			ッ	リ	マ	°	○	■

Note: The character generator RAM is the RAM with which the user can rewrite character patterns by program.