

Order on-line
at www.datel.com

FAU E156931



ACA-20PC Series

Digital, LED-Display AC Ammeters with Built-in Current Transformers

Features

- **Built-in Current Transformers** for direct measurement of 0 to 2/20/50/100 Amps
- **Functionally complete:**
 - On-board current transformers
 - Scaling/interface circuitry
 - Precision A/D converters
 - Bright red or green LED displays
- **32 different models**
- **Subminiature, 1.38" x 0.88" package**
- **Easy-to-read, 0.37"/9.4mm digits**
- **AC powered models:**
 - 85-264Vac @ 50/60Hz
 - 240-310Vac @ 50/60Hz
 - 85-140Vac @ 400Hz
- **"Self-powered" 85-264Vac, 2A and 20A models feature built-in load connections**
- **DC powered models:**
 - +5V, +5-40V, +36-75V
- **2000V isolation; UL/CSA recognized**

DATEL's new ACA-20PC Series are the first digital ac ammeters to incorporate on-board current transformers (CT's), and they are amazingly easy to use. Simply pass the current-carrying load wire through the ACA-20PC's on-board CT, apply power to the meter's two supply terminals, and you're instantly measuring ac currents over one of four ranges (0-2A with 1mA resolution, 0-20A with 10mA resolution, or 0-50A and 0-100A with 100mA resolution). Absolutely no external components, such as expensive low-value shunts or 5A "donut" CT's, are required.

Meters are ac powered (120/220/277Vac @ 50/60Hz or 120Vac @ 400Hz) or dc powered (+5V, +5-40V, or +36-75V) and impose minimal loads (50mA max. and 120mA max., respectively) on their supplies. All models employ auto-zeroing circuits, precision bandgap references, and super stable thin-film resistors for unsurpassed accuracy ($\pm 0.15\%FS$) and stability.

The functionally complete ACA-20PC ammeters provide all the scaling/interface circuitry to mate the CT's output to a precision ($3\frac{1}{2}$ digit) A/D converter. The A/D's output goes directly to drivers for the meters' large (0.37"/9.4mm digit height), easy-to-read, LED displays. AC-powered units have on-board AC/DC converters, and wide-range dc-powered units have on-board linear regulators. AC-powered models can be powered by the same ac supply whose current they are monitoring. The 2A and 20A, 85-264Vac, 50/60Hz ("AC1") models feature additional on-board terminal blocks to supply power to the external load. All models provide 2000Vdc isolation between the measured ac current and their power supply, and all are UL/CSA recognized.

Each meter is housed in a subminiature, 1.38" x 0.88", epoxy-encapsulated package. Total behind-the-panel installation depth is approximately 2 inches. Display color options include standard red, high-intensity red, and standard green.

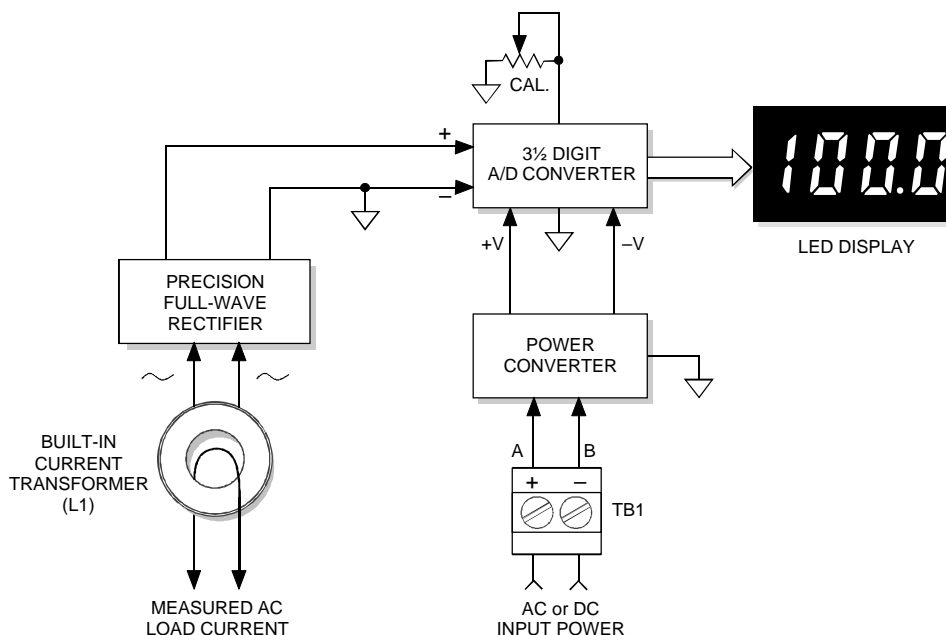


Figure 1. ACA-20PC Series Simplified Schematic

Performance/Functional Specifications

Typical at TA = +25°C, unless otherwise noted. ①

Rated Full-Scale Current ②	Min.	Typ.	Max.	Units
ACA-20PC-1-XXX-XX	—	—	1.999	Amps
ACA-20PC-2-XXX-XX ③	—	—	19.99	Amps
ACA-20PC-3-XXX-XX	—	—	50.0	Amps
ACA-20PC-4-XXX-XX	—	—	100.0	Amps
Overcurrent Rating ②	1.5 x rated full-scale current			
Performance				
Sampling Rate	2.5 samples per second			
Accuracy ②	±0.15%FS ±6 counts			
Measurement Type	Sine wave input, full-wave averaging, rms calibrated			
Temperature Drift (0 to +60°C)	—	±0.2	±0.4	Counts/°C
Zero-Current Reading	-001	000	001	Counts
Dielectric Withstanding Voltage	2000	—	—	Vdc
Power Supply Voltage ⑤				
ACA-20PC-X-AC1-XX	85	120	264	Vac@47-99Hz
ACA-20PC-X-AC2-XX	85	120	140	Vac@350-450Hz
ACA-20PC-X-AC3-XX	240	264	310	Vac@47-99Hz
ACA-20PC-X-DC1-XX	+4.75	—	+40	Vdc
ACA-20PC-X-DC2-XX	+36	—	+75	Vdc
ACA-20PC-X-DC3-XX	+4.75	—	+5.25	Vdc
Power Supply Current ④				
ACA-20PC-X-AC1,3-XX	—	30	50	mA@47-99Hz
ACA-20PC-X-AC2-XX	—	30	50	mA@350-450Hz
ACA-20PC-X-DC1,2-XX	—	+8	+12	mAdc
ACA-20PC-X-DC3-XX	—	+80	+120	mAdc
Power Supply Terminal Block				
ACA-20PC-1-AC1-RL & ACA-20PC-2-AC1-RL (2A and 20A ac-powered models with 4-position terminal blocks):				
Wire Size & Type	12-20AWG (solid), 14-20AWG (stranded)			
Insulation Strip Length	0.25 inches			
Screw Tightening Torque	4.4 pound-inches (0.5Nm)			
Maximum Rated Current	20A with 12AWG solid wire; 15A with 14AWG solid or stranded wire			
Maximum Rated Voltage	630V (VDE 0110-V, Group 2); 250V (VDE 0110-V, Group 3)			
ACA-20PC-X-XXX-XX (All other ac/dc-powered models with 2-position terminal blocks):				
Wire Size & Type	16-24AWG (solid or stranded)			
Insulation Strip length	0.25 inches			
Screw Tightening Torque	3.6 pound-inches (0.4Nm)			
Maximum Rated Voltage	310Vac			
Display				
Display Type and Size	3½ digit LED, 0.37"/9.4mm digit height			
Overrange Indication	"1_ _ _"			
Decimal Point	Fixed, model dependent			
Physical/Environmental				
Operating Temperature	0	—	+60	°C
Storage Temperature	-40	—	+75	°C
Humidity (non-condensing)	0	—	95	%
Case Material	Polycarbonate			

Physical/Environmental	
Dimensions	1.38"W x 0.88"H Depth is model dependent (see Mechanical Specifications)
Weight:	
ACA-20PC-1-XXX-XX	1.1 ounces (31 grams)
ACA-20PC-2-XXX-XX	1.1 ounces (31 grams)
ACA-20PC-3-XXX-XX	1.3 ounces (37 grams)
ACA-20PC-4-XXX-XX	1.5 ounces (43 grams)

- ① The ACA-20PC-1-AC1-RL and ACA-20PC-2-AC1-RL have 4-position on-board terminal blocks. All other models have 2-position terminal blocks.
- ② Specified full-scale currents are those passing through the built-in CT's primary (load) circuit, over the frequency of 45-450Hz. The Overcurrent Rating is a continuous rating that applies to the measured ac load current. It does not apply to any circuitry external to the meter. Accuracy is guaranteed to the rated current.
- ③ For the ACA-20PC-2-AC1-RL, if the load is connected to the meter's on-board 4-position terminal block, the 20A full scale range requires 12AWG solid copper wire on all connections. If 14AWG solid copper wire is used, the current should be limited to 15A. See Figure 3.
- ④ All specified maximum power supply currents are steady-state values. AC-powered models can draw higher surges at initial turn-on.
- ⑤ Maximum reverse polarity protection on "DC1" models is -40Vdc, and -50Vdc on "DC2" models. "DC3" models provide no reverse polarity protection.

Ordering Information

ACA - 20PC - 1 - AC1 - RL

Input Range:

- 1 = 1.999A
- 2 = 19.99A
- 3 = 50.0A
- 4 = 100.0A

Power Supply:

- AC1 = 85-264Vac@50/60Hz
- AC2 = 85-140Vac@400Hz
- AC3 = 240-310Vac@50/60Hz
- DC1 = +5-40Vdc
- DC2 = +36-75Vdc
- DC3 = +5Vdc

LED Color:

- RL = Red Standard
 - RH = High-Intensity Red*
 - GS = Green Standard*
- * Available on "DC3" +5V powered models only

Accessories: DMS-20-CP Panel cutout punch

A DMS-BZL4 bezel assembly with sealing gasket is supplied with each ammeter.

Technical Notes

IMPORTANT! To ensure safe and reliable operation, ACA-20PC ammeters must be installed and serviced by qualified technical personnel. Contact DATEL if there is any doubt regarding ammeter installation and/or operation.

1. **Measurement Type:** ACA-20PC ac ammeters employ a full-wave-rectified, average responding, rms-calibrated circuit to measure the stepped-down output of their on-board, L1 current transformer (CT). Stated accuracy specifications are measured using a sine-wave current at or close to the specified full scale input level, at nominal line frequency.
2. **Calibration:** Periodic recalibration of ACA-20PC ammeters is not required under normal, indoor operating environments. If user calibration is necessary, it should be performed by qualified technical personnel. Calibration is performed with **potentially lethal voltages** applied to the ACA-20PC and its associated wiring, with the specified full-scale current flowing through the ammeter's built-in current transformer. A plastic, fully insulated adjusting tool must be used to

access the recessed calibration potentiometer located on the back of the meter (see Mechanical Specifications). Contact DATEL if additional information is required regarding calibration, setup, or any other technical issue pertaining to the ACA-20PC.

3. **Wire Gauges and Fusing:** Wires specified in the Functional Specifications section must be used for making connections to ACA-20PC Series ammeters. All power-supply and load wiring must be rated for the supply voltages and currents they will conduct and must comply with any code or application-mandated requirements pertaining to the user's specific installation.

In particular, special attention must be paid to ACA-20PC-1-AC1-RL and ACA-20PC-2-AC1-RL ac-powered models when their built-in auxiliary terminal block connections (TB1) are used to supply current to an external load. The supply wires connected to both the meter and the load must be fused according to the current rating of the wire gauge being used, in accordance with applicable regulatory codes. Also, wire insulation should be stripped to within $\pm 10\%$ of the stated dimensions, and wires should be inserted into TB1 such that their insulation is not pinched by the screw terminal.

The ACA-20PC-3-ACX (0-50A range, ac-powered) and ACA-20PC-4-ACX (0-100A, ac-powered) models' TB1 is used only for powering the meters' internal circuitry. **It must not be used to supply current to external loads.** The supply wires feeding these meters must also be fused according to the current rating of the wire gauge being used, in accordance with applicable regulatory codes.

AC-powered models draw minimal steady-state supply currents (50mA max.), and in most applications, they can be fused according to the supply wire's maximum amperage rating. However, these models can draw significantly higher surge currents for brief periods when the ac line voltage is initially applied.

4. **AC Supply Polarity and Grounding:** The two ac supply inputs, TB1-A and TB1-B, on ac-powered ammeters are not in themselves polarity sensitive, that is, they have no internal "AC LO" or "AC HI" designations. Also, ac-powered ACA-20PC ammeters do not include or require a connection to earth/chassis ground. However, in many applications, external ac loads which are connected directly to the ACA-20PC's built-in auxiliary terminal blocks **must** be wired with proper polarity and connected to earth/chassis ground.
5. **Connector Torque Ratings:** It is important to tighten TB1's screw terminals to their rated torque specifications of 4.4 pound-inches (0.5Nm) for four-terminal ammeters (ACA-20PC-1-AC1-RL and ACA-20PC-2-AC1-RL), and 3.6 pound-inches (0.4Nm) for two-terminal ammeters. Proper tightening will minimize connector losses and ensure safe, reliable operation.
6. **100 Amp Model (ACA-20PC-4-XXX):** This model's built-in current transformer **requires a larger panel cutout width dimension.** See Mechanical Specifications for more information.
7. **DC-Powered Models:** DC-powered models draw minimal supply currents (120mA max.) and in most applications can be fused according to the supply wire's maximum amperage rating. However, be sure to check and comply with all applicable codes and regulations to ensure proper installation and operation.
8. **Isolation:** The on-board CT (L1) provides a minimum 2000Vdc isolation between the current-carrying conductor passing through its primary circuit and the ammeter supply voltage connected to TB1. Of course, this isolation rating only applies to applications in which the load wiring (i.e., the wire passing through the CT's center hole) does not connect directly or indirectly to TB1-A or TB1-B.

Panel Installation

All connections to ACA-20PC Series ammeters must be made after the ammeter is securely attached to the panel and with all load and supply voltages de-energized (off).

Care should be exercised when passing the load-carrying conductor through the meter's built-in CT—particularly when larger-gauge conductors are used. The position of the installed wire should be such that minimal forces are applied to the built-in CT, TB1, or to the ammeter itself. In high-vibration environments, adequate strain reliefs be used for all load and supply wiring.

To ensure a secure panel-mount installation, DATEL recommends using

the DMS-BZL4 bezel assembly (with sealing gasket) supplied with each ammeter. **Also, please note that the ACA-20PC-4-XXX 100A oversize CT requires a larger panel-cutout width of 1.350" (34.3mm).** See Mechanical Specifications for detailed cutout and ammeter dimensions.

Following the four-step sequence shown in Figure 2 below—being careful not to apply excessive force or twisting motions—insert the ammeter into the panel opening. When using the DMS-BZL4 bezel assembly, install its sealing gasket so it is positioned between the ammeter's front flange and panel front surface (see Mechanical Specifications). Be sure to use and securely tighten all four screws supplied with the bezel assembly.

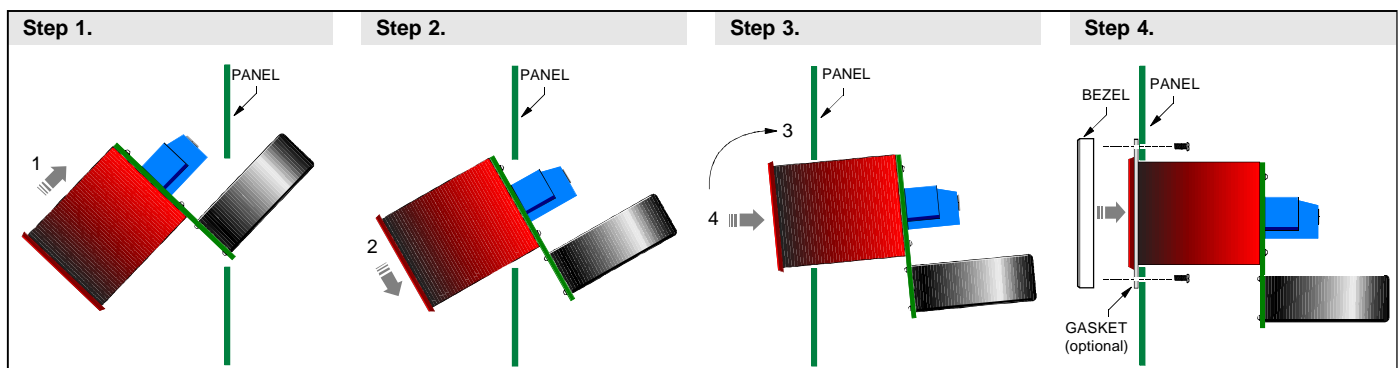


Figure 2. Panel Installation

Typical Wiring Diagrams

First pass and carefully dress one external load wire through the on-board CT (L1). Then connect the ac supply and load wires to TB1 as shown. If required, verify that correct line-power polarities are applied to the external load (see Technical Note 4). Ensure all wires are stripped and terminals torqued correctly. For proper operation, pass only one load wire through the on-board CT's center hole.

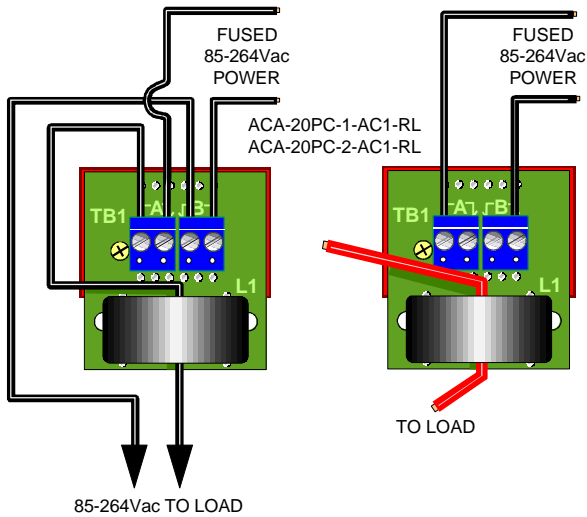


Figure 3. 2A and 20A, 85-264V AC-Powered Models With Auxilliary Load Connections

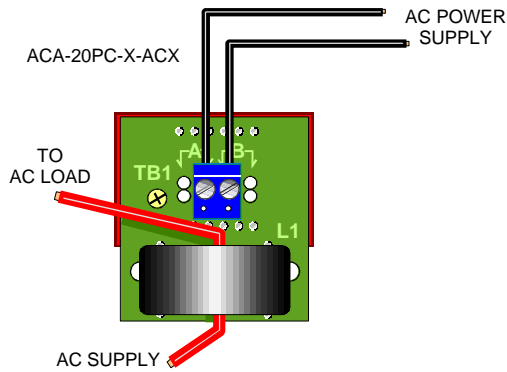


Figure 4. All Other AC-Powered Models

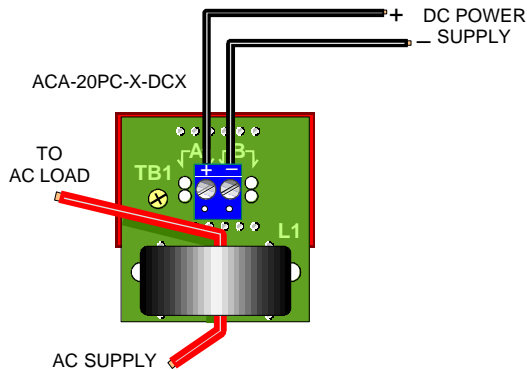
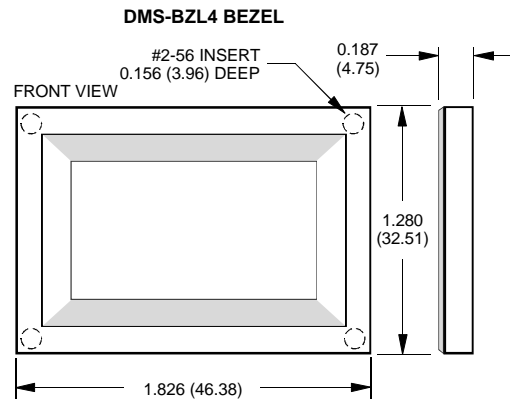
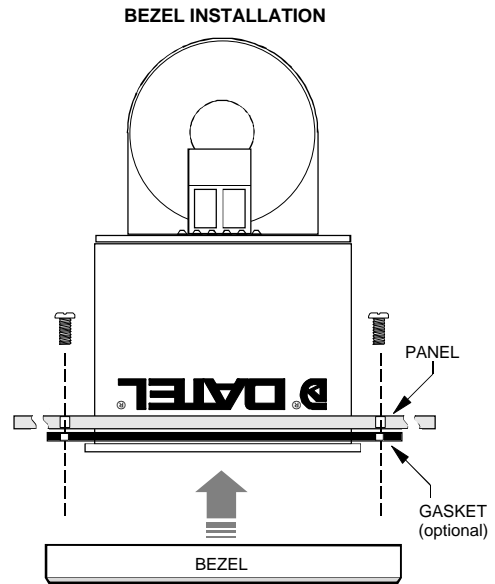
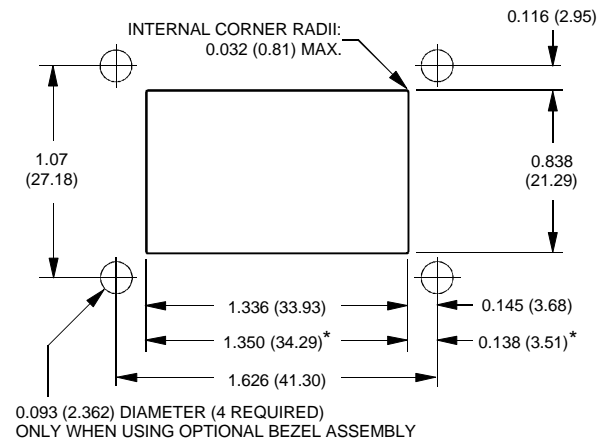


Figure 5. All DC-Powered Models

Panel Cutout and Bezel Installation



RECOMMENDED DRILL AND PANEL CUTOUT DIMENSIONS

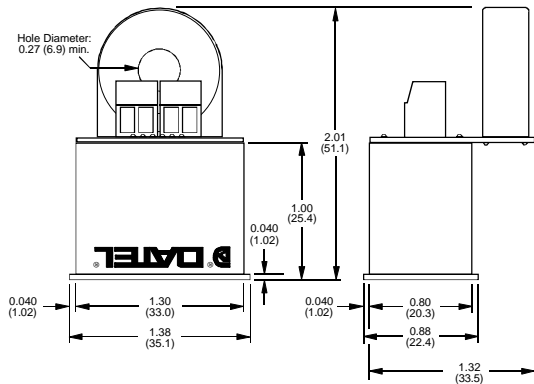


* Dimensions for ACA-20PC-4-XXX 100A model.

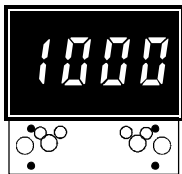
Mechanical Specifications

Mechanical Dimensions: Inches (mm) Tolerances: 2 PL DEC ±0.02 (±0.51), 3 PL DEC ±0.010 (±0.254)

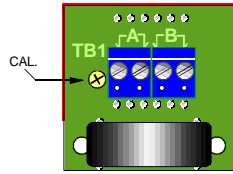
ACA-20PC-1 & 2-AC1-RL
2A and 20A, 85-264V ac-powered models



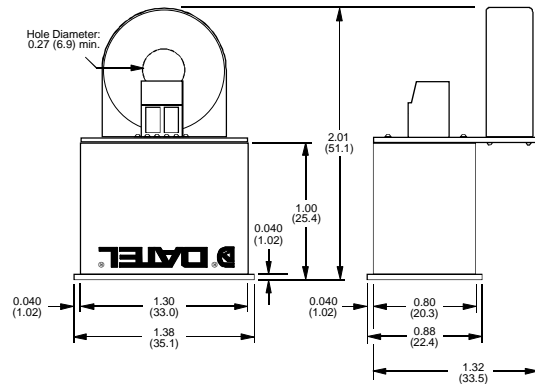
FRONT VIEW



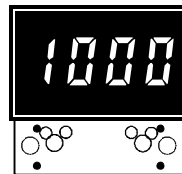
BACK VIEW



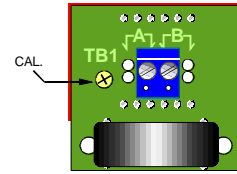
ACA-20PC-1 & 2
2A and 20A, all other models



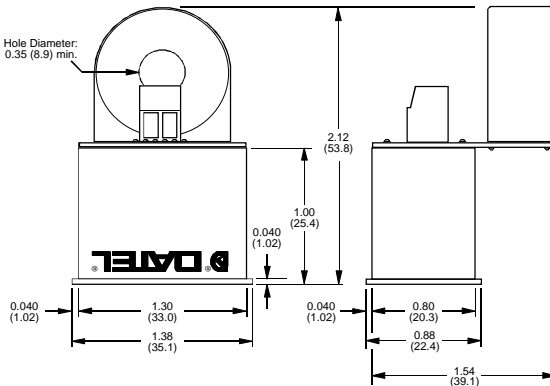
FRONT VIEW



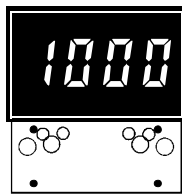
BACK VIEW



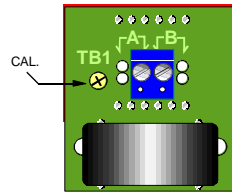
ACA-20PC-3 Series
50A models



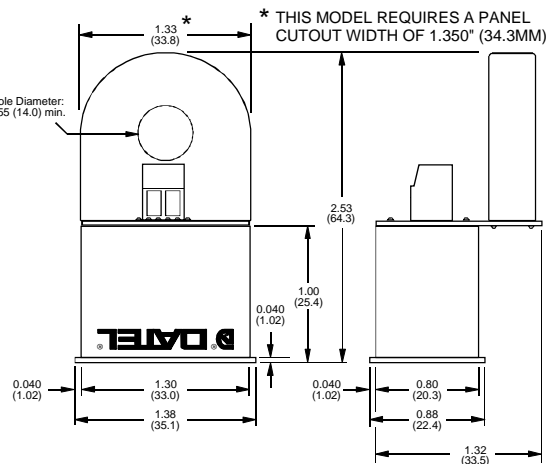
FRONT VIEW



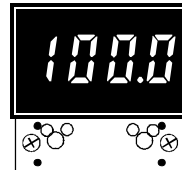
BACK VIEW



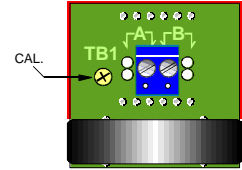
ACA-20PC-4 Series
100A models



FRONT VIEW



BACK VIEW



ISO 9001
REGISTERED

DS-0447B 11/2000

DATEL, Inc. 11 Cabot Boulevard, Mansfield, MA 02048-1151
Tel: (508) 339-3000 (800) 233-2765 Fax: (508) 339-6356
Internet: www.datel.com Email: sales@datel.com

DATEL (UK) LTD. Tadley, England Tel: (01256)-880444
DATEL S.A.R.L. Montigny Le Bretonneux, France Tel: 01-34-60-01-01
DATEL GmbH München, Germany Tel: 89-544334-0
DATEL KK Tokyo, Japan Tel: 3-3779-1031, Osaka Tel: 6-354-2025

DATEL makes no representation that the use of its products in the circuits described herein, or the use of other technical information contained herein, will not infringe upon existing or future patent rights. The descriptions contained herein do not imply the granting of licenses to make, use, or sell equipment constructed in accordance therewith. Specifications are subject to change without notice. The DATEL logo is a registered DATEL, Inc. trademark.