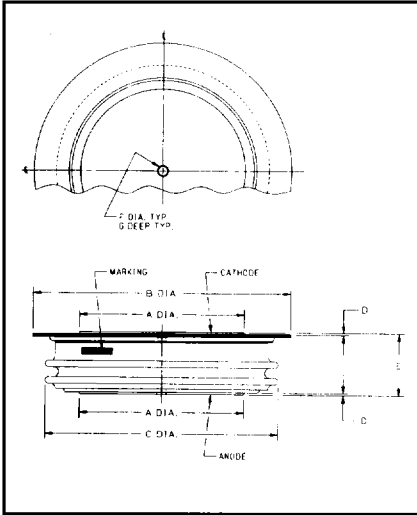


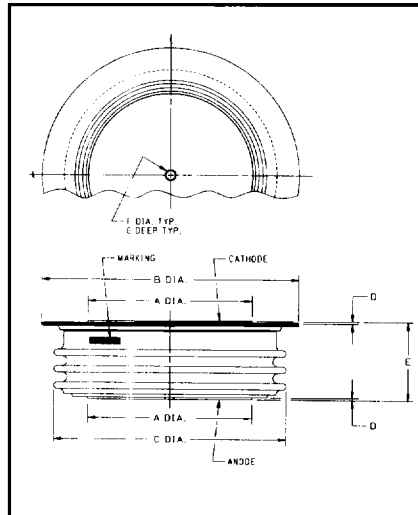
RAS



Dimension	Inches	Millimeters
A	2.48	63.0
B	3.91	99.3
C	3.50	88.9
D	0.030	0.76
E	1.024/1.064	26.01/27.02
F	0.140	3.56
G	0.085	2.16

RAAF

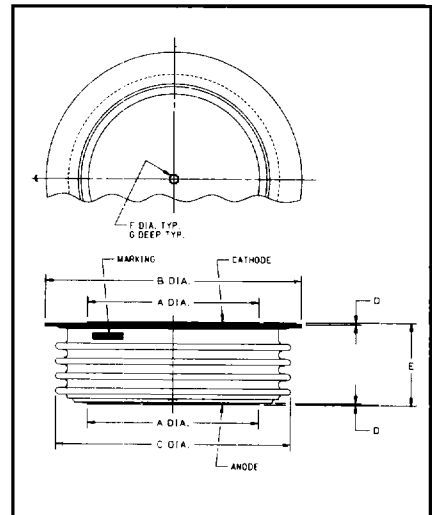
RA2



Dimension	Inches	Millimeters
A	2.47	62.7
B	3.91	99.3
C	3.50	88.9
D	0.030	0.76
E	1.300/1.340	33.02/34.04
F	0.140	3.56
G	0.085	2.16

RA20, RA2F

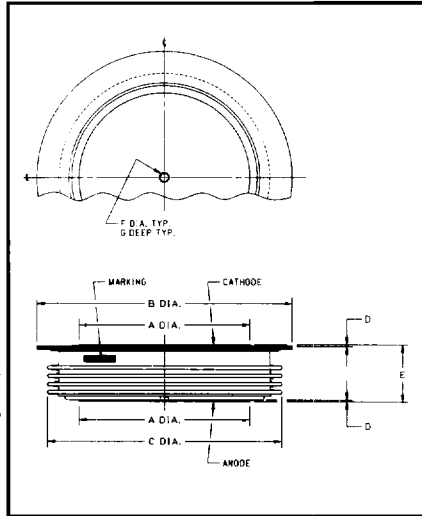
RBK



Dimension	Inches	Millimeters
A	2.88	73.2
B	4.36	110.7
C	3.95	100.3
D	0.030	0.76
E	1.400/1.440	35.56/36.58
F	0.140	3.56
G	0.080	2.03

RBK8

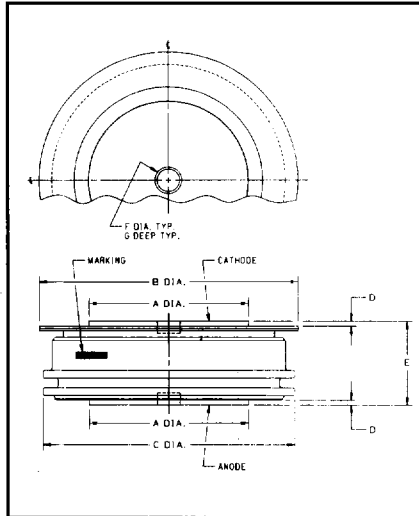
RBS



Dimension	Inches	Millimeters
A	2.88	73.2
B	4.36	110.7
C	3.95	100.3
D	0.030	0.76
E	1.010/1.050	25.65/26.67
F	0.140	3.56
G	0.080	2.03

RBS8

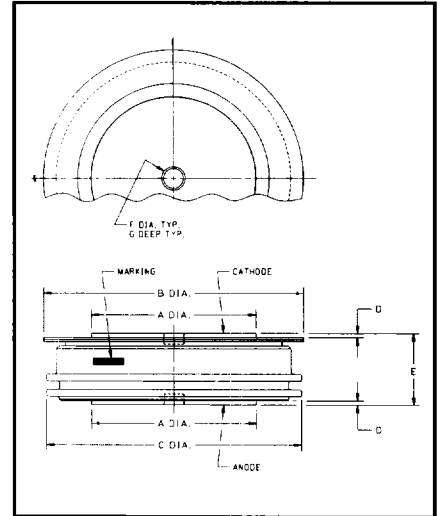
R7H



Dimension	Inches	Millimeters
A	0.99	25.1
B	1.63	41.4
C	1.56	39.6
D	0.030	0.76
E	0.560/0.605	14.22/15.37
F	0.140	3.56
G	0.077	1.96

R7S0

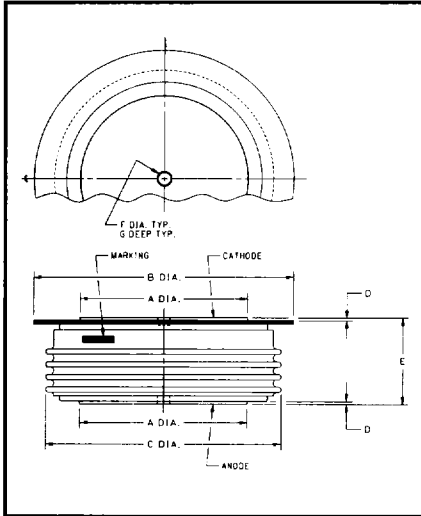
R7S



Dimension	Inches	Millimeters
A	1.16	29.5
B	1.86	47.2
C	1.80	45.7
D	0.030	0.76
E	0.560/0.605	14.22/15.37
F	0.140	3.56
G	0.077	1.96

R7S0, R7S2, R7SS, R7SF

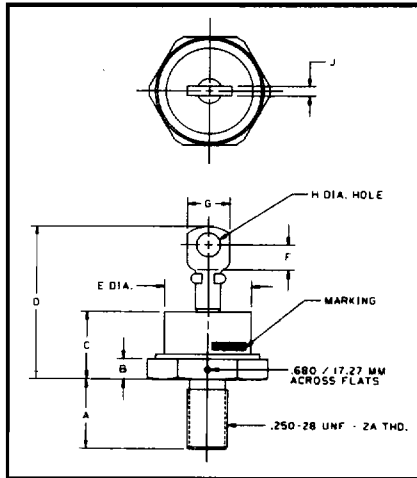
R9G



Dimension	Inches	Millimeters
A	1.85	47.0
B	2.90	73.7
C	2.60	66.0
D	0.030	0.76
E	1.040/1.080	26.42/27.43
F	0.140	3.56
G	0.085	2.16

A453, A451, R9GF, R9GS, R9G0, R9G2

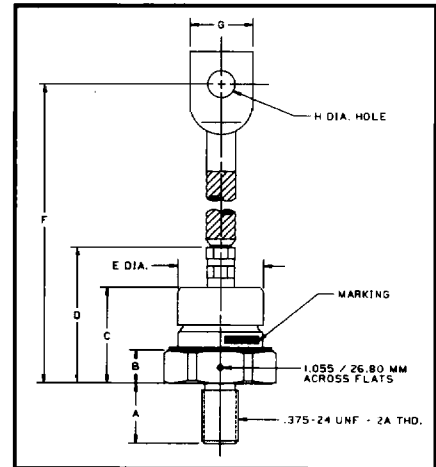
R40



Dimension	Inches	Millimeters
A	0.44	11.2
B	0.13	3.3
C	0.43	10.9
D	0.98	24.9
E	0.54	13.7
F	0.156	3.96
G	0.27	6.8
H	0.150	3.81
J	0.065	1.65

R404, R405

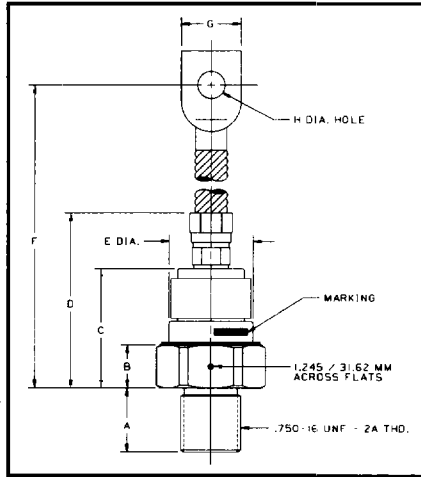
R50



Dimension	Inches	Millimeters
A	0.63	16.0
B	0.34	8.6
C	0.98	24.9
D	1.58	40.1
E	0.89	22.6
F	4.48	113.8
G	0.63	16.0
H	0.281	7.14

A170, A170R, A177, A177R, A180, A180R, R500, R501, R502, R503, R5CS, R5CR

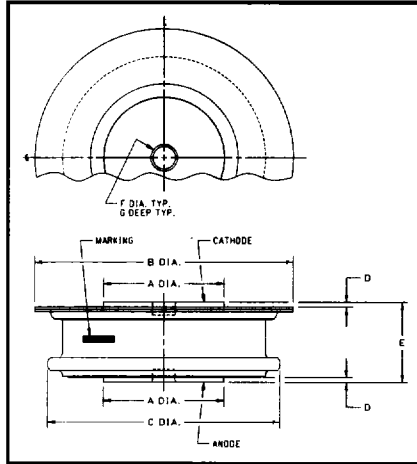
R60



Dimension	Inches	Millimeters
A	0.81	20.6
B	0.55	14.0
C	1.50	38.1
D	2.30	58.4
E	1.05	26.7
F	5.44	138.2
G	0.73	18.5
H	0.343	8.71

A190, A190R, R600, R601, R602, R603, R60S, R60R, R60F, R60E

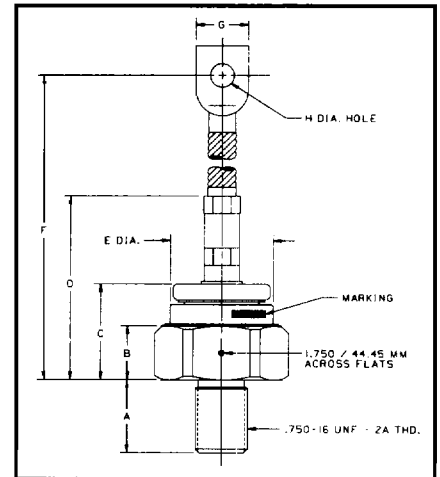
R62



Dimension	Inches	Millimeters
A	0.75	19.0
B	1.63	41.4
C	1.44	36.6
D	0.030	0.76
E	0.500/0.565	12.70/14.35
F	0.140	3.56
G	0.080	2.03

A390, A397, R602, R603, R620, R622, R62S, R62F

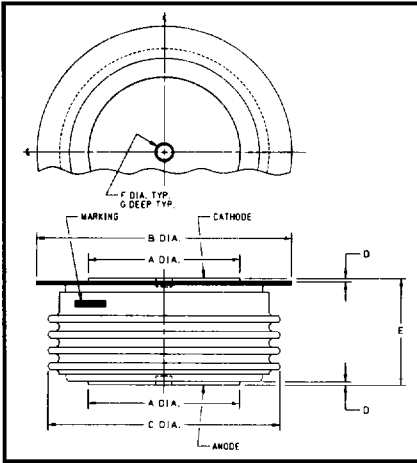
R70



Dimension	Inches	Millimeters
A	1.06	26.9
B	0.78	19.8
C	1.41	35.8
D	2.74	69.6
E	1.49	37.8
F	9.66	245.4
G	0.75	18.5
H	0.343	8.71

R700, R701, R702, R703

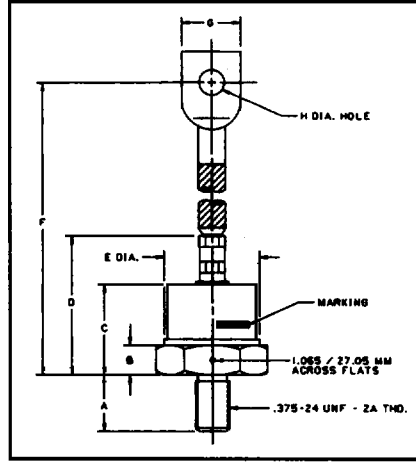
R72



Dimension	Inches	Millimeters
A	1.34	34.0
B	2.28	57.9
C	2.05	52.1
D	0.030	0.76
E	1.020/1.060	25.91/26.92
F	0.140	3.56
G	0.078	1.98

A430, R720, R722, R72S, R72F, R82F

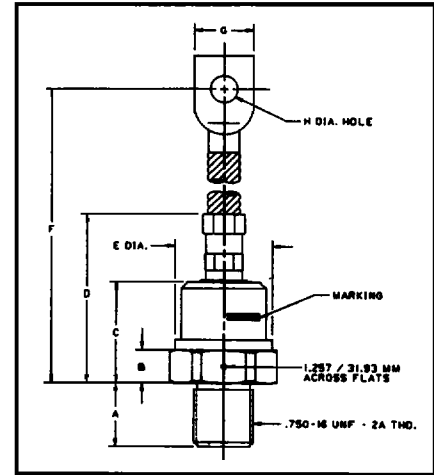
U5R



Dimension	Inches	Millimeters
A	0.63	16.0
B	0.33	8.4
C	0.97	24.6
D	1.54	39.1
E	1.05	26.7
F	4.14	105.2
G	0.63	16.0
H	0.281	7.14

R510, R511

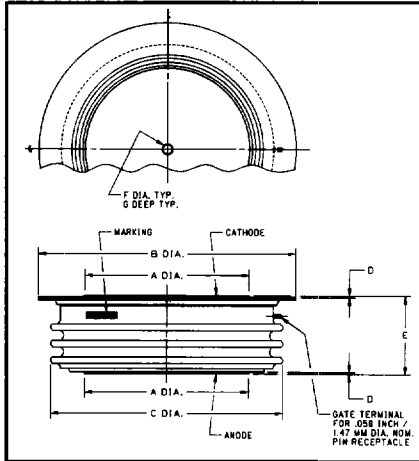
U61



Dimension	Inches	Millimeters
A	0.81	20.6
B	0.43	10.9
C	1.30	33.0
D	2.18	55.4
E	1.24	31.5
F	5.48	139.2
G	0.73	18.5
H	0.343	8.71

R610, R611

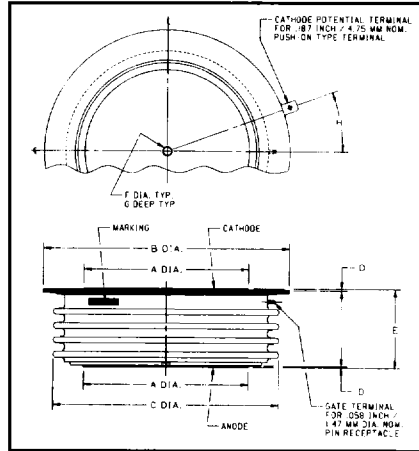
TA2



Dimension	Inches	Millimeters
A	2.47	62.7
B	3.91	99.3
C	3.50	88.9
D	0.030	0.76
E	1.300/1.340	33.02/34.04
F	0.140	3.56
G	0.085	2.16

TA20, TAK7, TA2H

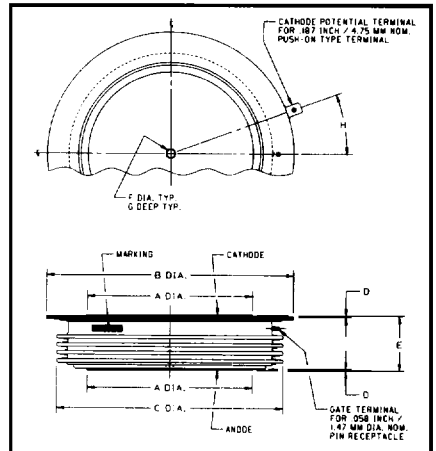
TBK



Dimension	Inches	Millimeters
A	2.88	73.2
B	4.36	110.7
C	3.95	100.3
D	0.030	0.76
E	1.400/1.440	35.56/36.58
F	0.140	3.56
G	0.080	2.03
H	20°	20°

C770, C781, C782, C783, C784,
 TBKT__17, TBKT__18,
 TBKT__20, TBK7__30,
 TBK7__31

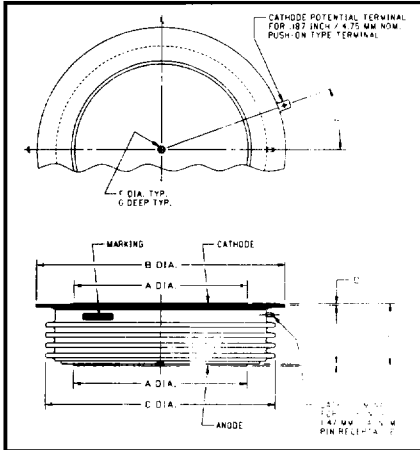
TBS



Dimension	Inches	Millimeters
A	2.88	73.2
B	4.36	110.7
C	3.95	100.3
D	0.030	0.76
E	1.010/1.050	25.65/26.67
F	0.140	3.56
G	0.080	2.03
H	20°	20°

TBS7__35

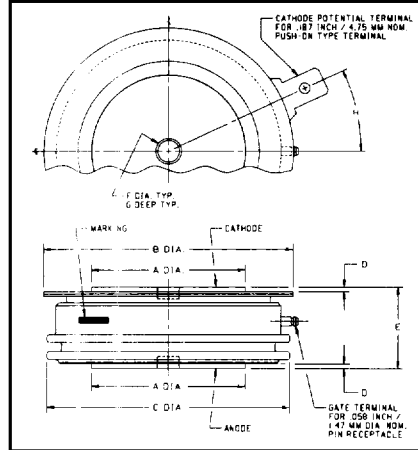
TC2



Dimension	Inches	Millimeters
A	3.91	99.3
B	5.63	143.0
C	5.18	131.6
D	0.030	0.76
E	1.410/1.450	35.81/36.83
F	0.140	3.56
G	0.085	2.16
H	20°	20°

TC20, TCKT

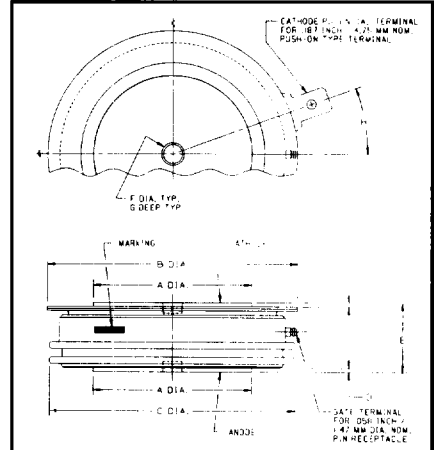
T7H



Dimension	Inches	Millimeters
A	0.99	25.1
B	1.64	41.6
C	1.56	39.6
D	0.030	0.76
E	0.560/0.605	14.22/15.37
F	0.140	3.56
G	0.077	1.96
H	25°	25°

C430, C431, C434, C436, T7S0,
T7S7

T7S

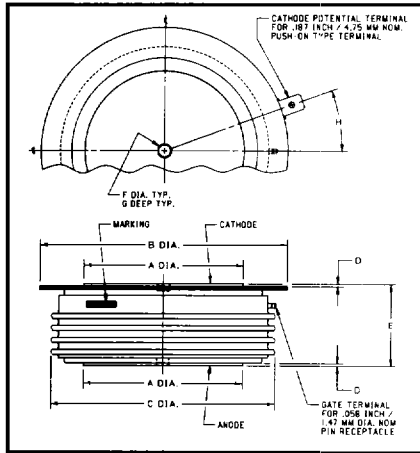


Dimension	Inches	Millimeters
A	1.16	29.5
B	1.86	47.2
C	1.80	45.7
D	0.030	0.76
E	0.560/0.605	14.22/15.37
F	0.140	3.56
G	0.077	1.96
H	20°	20°

C476, C477, C478, T7SH

Powerex, Inc., 200 Hillis Street, Youngwood, Pennsylvania 15697-1800 (412) 925-7272
 Powerex, Europe, S.A. 428 Avenue G. Durand, BP107, 72003 Le Mans, France (43) 41.14.14

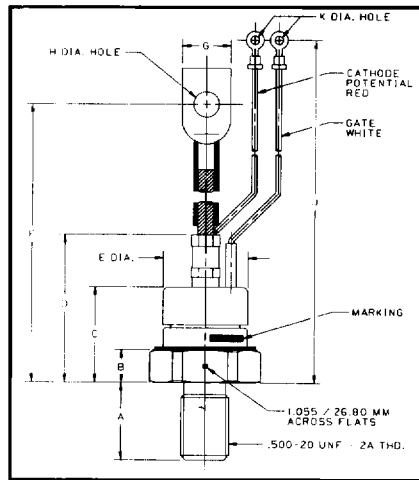
T9G



Dimension	Inches	Millimeters
A	1.85	47.0
B	2.90	73.7
C	2.60	66.0
D	0.030	0.76
E	1.000/1.090	25.40/27.69
F	0.140	3.56
G	0.085	2.16
H	20°	20°

C450, C451, C458, C702, C712, C713, T9G0, T9GH

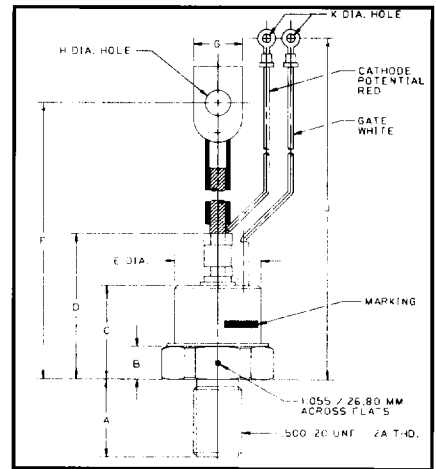
T50



Dimension	Inches	Millimeters
A	0.81	20.6
B	0.34	8.6
C	0.98	24.9
D	1.58	40.1
E	0.89	22.6
F	6.12	155.4
G	0.48	12.2
H	0.266	6.76
J	7.44	189.0
K	0.146	3.71

C50, C150, C154, C155, C158, C164, C165, T500, T507

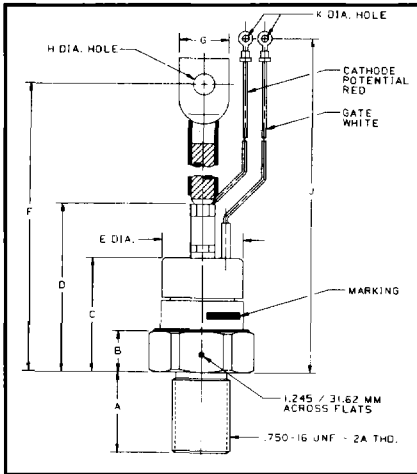
T51



Dimension	Inches	Millimeters
A	0.81	20.6
B	0.34	8.6
C	0.98	24.9
D	1.53	38.9
E	0.90	22.9
F	6.04	153.4
G	0.48	12.2
H	0.266	6.76
J	7.38	187.4
K	0.146	3.71

C46, T510

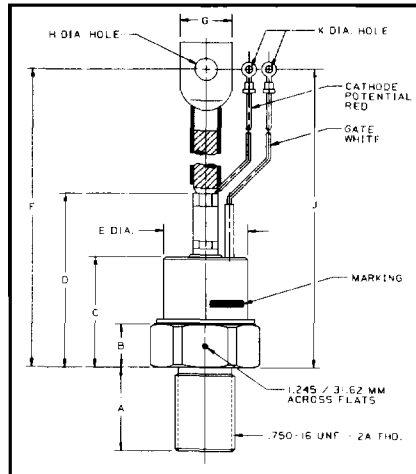
T60



Dimension	Inches	Millimeters
A	1.06	26.9
B	0.55	14.0
C	1.50	38.1
D	2.25	57.2
E	1.07	27.2
F	7.91	200.9
G	0.63	16.0
H	0.281	7.14
J	7.91	200.9
K	0.146	3.71

C180, C184, C185, T600, T607

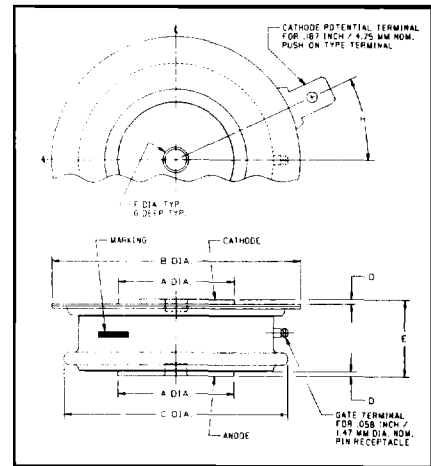
T61



Dimension	Inches	Millimeters
A	1.06	26.9
B	0.56	14.2
C	1.40	35.6
D	2.20	55.9
E	1.05	26.7
F	7.91	200.9
G	0.630	16.0
H	0.281	7.14
J	7.91	200.9
K	0.146	3.71

T610

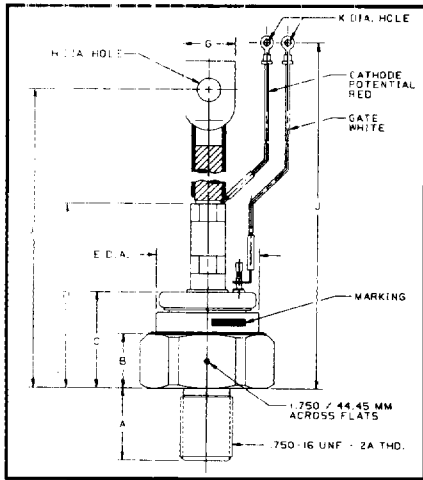
T62



Dimension	Inches	Millimeters
A	0.75	19.0
B	1.63	41.4
C	1.44	36.6
D	0.030	0.76
E	0.500/0.565	12.70/14.35
F	0.140	3.56
G	0.080	2.03
H	25°	25°

C350, C354, C355, C358, C364, C365, C380, C384, C385, T620, T625, T627

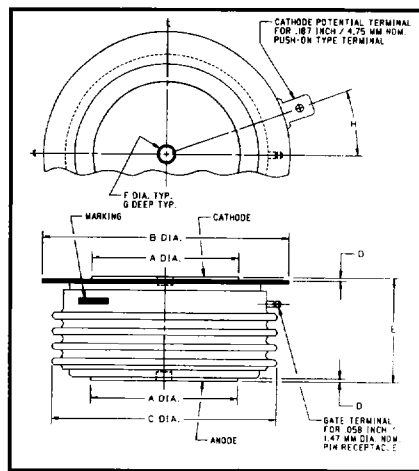
T70



Dimension	Inches	Millimeters
A	1.06	26.9
B	0.78	19.8
C	1.41	35.8
D	2.74	69.6
E	1.49	37.8
F	9.66	245.4
G	0.73	18.5
H	0.343	8.71
J	10.06	255.5
K	0.146	3.71

T700, T707

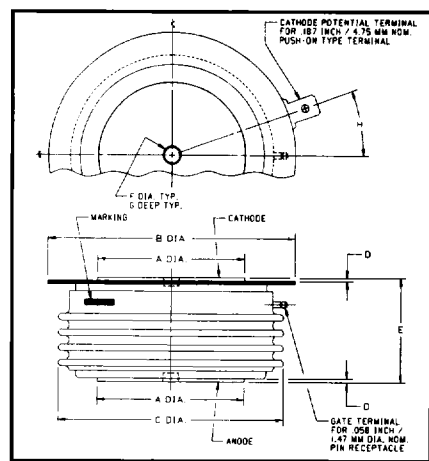
T72



Dimension	Inches	Millimeters
A	1.34	34.0
B	2.28	57.9
C	2.05	52.1
D	0.030	0.76
E	1.020/1.060	25.91/26.92
F	0.140	3.56
G	0.078	1.98
H	20°	20°

C376, C377, C378, C387, C388,
 C392, C393, C394, C395, C398,
 T72H, T727

T82



Dimension	Inches	Millimeters
A	1.34	34.0
B	2.28	57.9
C	2.05	52.1
D	0.030	0.76
E	1.020/1.090	25.91/27.69
F	0.140	3.56
G	0.085	2.16
H	20°	20°

C441, C444, C445, C648, T82F, T820