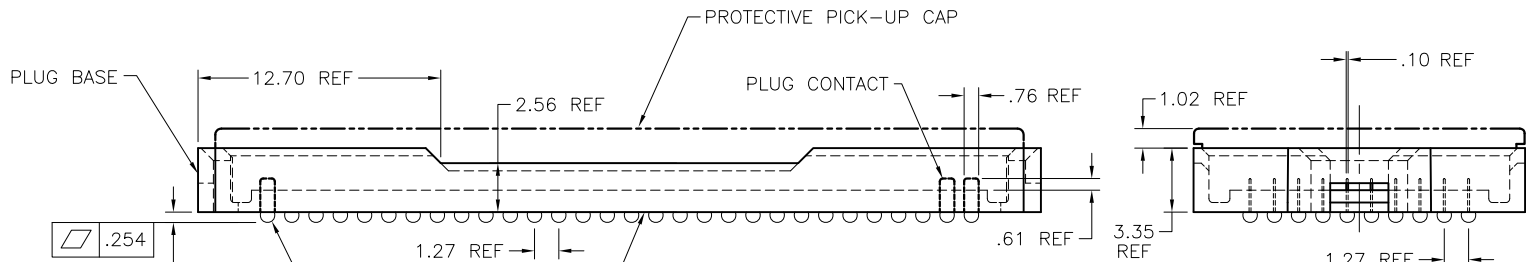
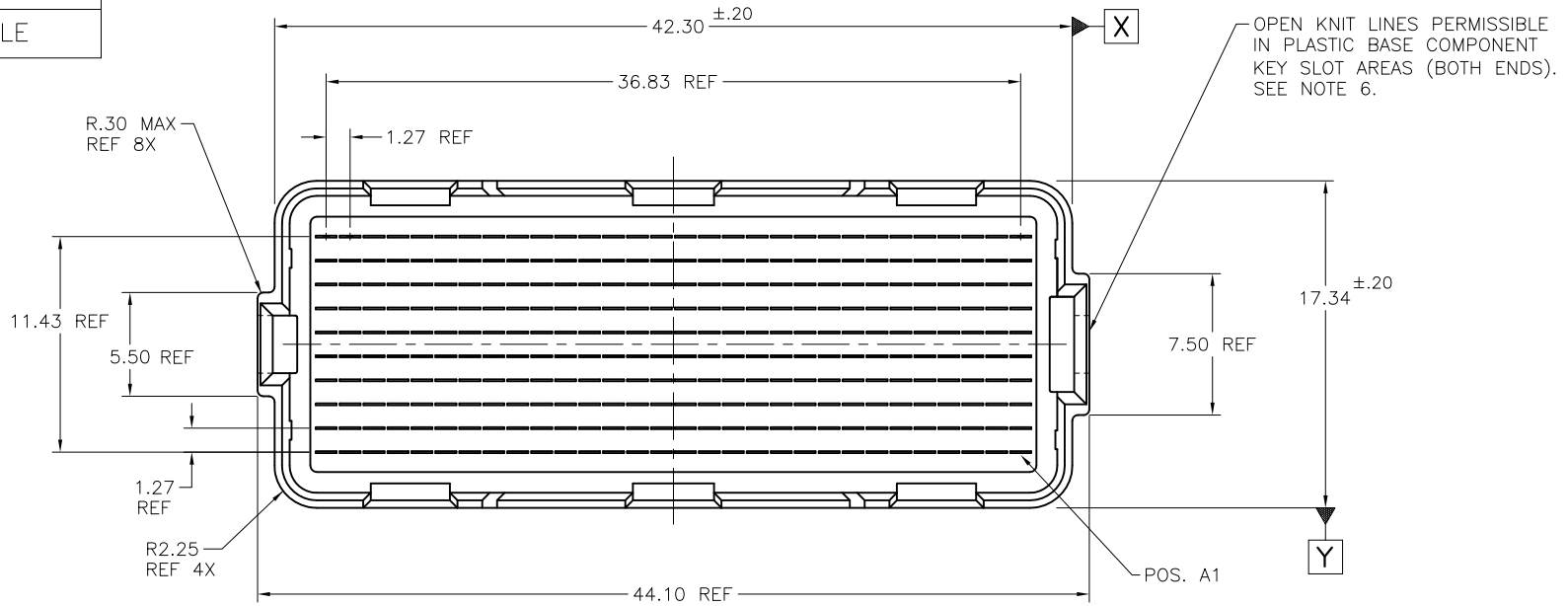


PRODUCT NUMBER
SEE TABLE



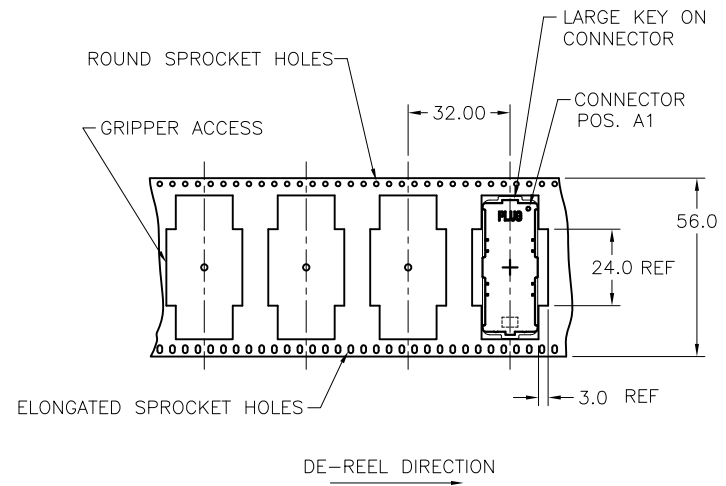
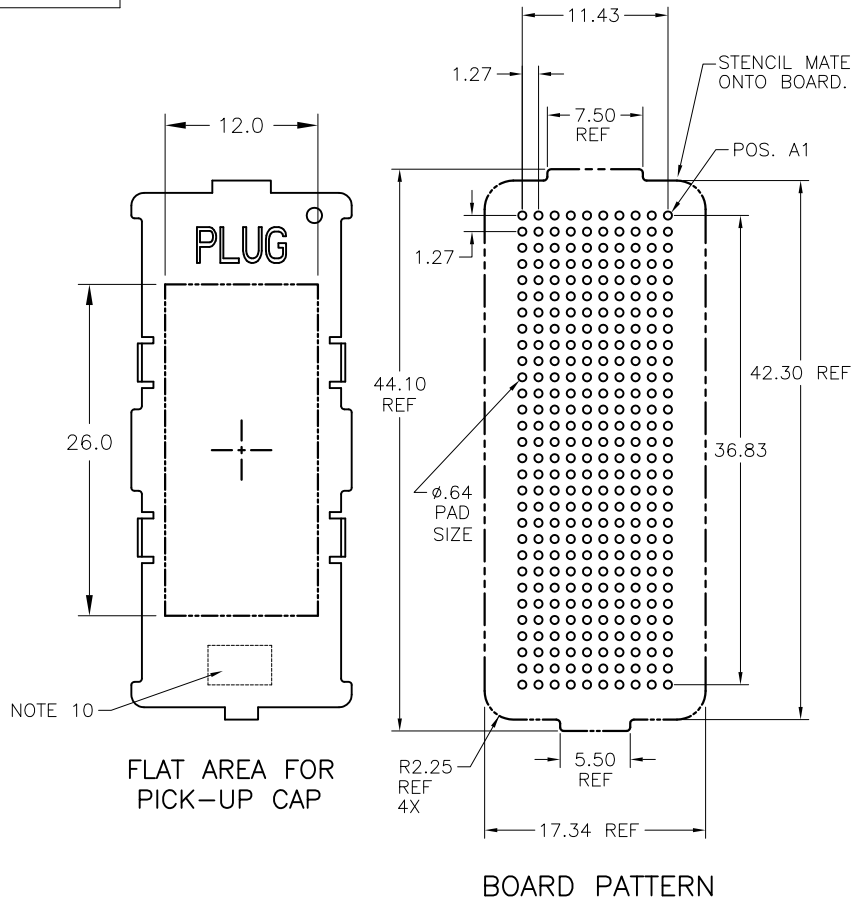
.254
.54 REF

Ø.760 SOLDER BALLS
NOTE 2
ΦØ.30 X Y

CONTINUOUS OPEN KNIT LINE CRACKS (TRAVERSING THE ENTIRE BODY LENGTH OF THE CONNECTOR) WHICH CAUSE CRITICAL-TO-FUNCTION DIMENSIONAL CHANGES THAT AFFECT THE CONNECTORS MECHANICAL ALIGNMENT FEATURES ARE NOT PERMISSIBLE. SEE NOTE 6.

mat'l. code				surface		tolerance		projection		product family	
SEE NOTE 1				ASME Y14.5		ASME Y14.5		MM		MEG-ARRAY	
ltr	ec'n no	dr	date	tolerances unless otherwise specified						title	
K	V06-0560	LP	2006-07-14	angles	mm	X*3	MM		0mm PLUG ASSEMBLY		
L	V11-0029	HTB	2011-06-06	mm	mm	XX*13	3:1		10 X 30 = 300 POSITIONS		
M	V12-0030	SJ	2012-08-06	0° ±2'	mm	XXX*051			dwg no		
N	V12-0036	DCH	2012-11-13	dr	D. WAUGHEN	1998-12-16			sheet 1 of 5 size		
-	-	-	-	engr	D. HARPER	1998-12-16			84500 A4		
H	V03-0680	DAI	2003-06-19	chr	D. HARPER	1998-12-16			type CUSTOMER Drawing		
J	V04-0940	VS	2001-10-18	appd	D. HARPER	1998-12-16					
sheet index	revision	N	N	N	N	N					
	sheet	1	2	3	4	5					

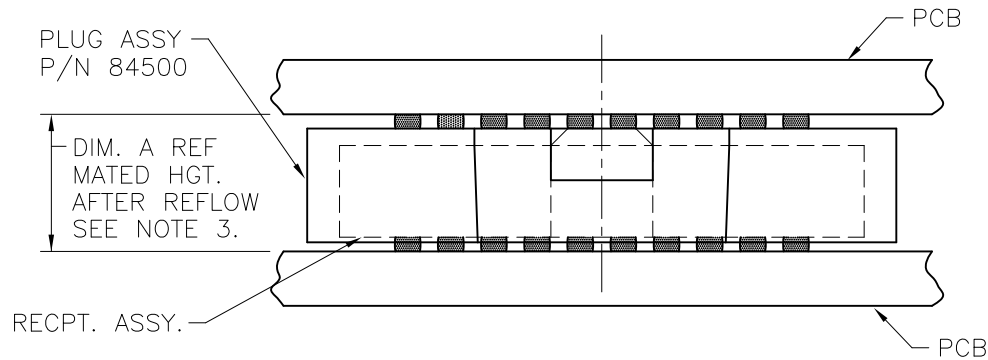
PRODUCT NUMBER
SEE TABLE



TAPE & REEL PACKAGING SCALE: NONE
PER EIA 481-3

mat'l. code		surface		tolerance		projection		product family	
SEE NOTE 1		ASME Y14.5		ASME Y14.5		MM		MEG-ARRAY	
ltr	ecn no	dr	date	tolerances unless otherwise specified		MM		title	
N				angles	inches	MM		0mm PLUG ASSEMBLY	
				0° ±2'	XXX+051	scale 2:1		10 X 30 = 300 POSITIONS	
		dr	D. WAUGHEN	1998-12-16		FCI		dwg no	
		enr	D. HARPER	1998-12-16				sheet 2 of 5 size	
		chr	D. HARPER	1998-12-16				84500 A4	
		appd	D. HARPER	1998-12-16				type CUSTOMER Drawing	
sheet index	revision sheet								

PRODUCT NUMBER
SEE TABLE



MATED HEIGHT TABLE		
DIM. A	RECPT. ASSY. P/N	-2XX PLATING
4.0	84501	SEE NOTE 4.
5.5	84502	*
8.0	84553	SEE NOTE 5.

* 84502 NOT AVAILABLE IN TELCORDIA/NORTEL VERSION.

MATED HEIGHT AFTER REFLOW IS BASED ON ϕ .64mm PAD (METAL-DEFINED) AND .13mm SOLDER PASTE STENCIL THICKNESS. SEE NOTE 3.

END VIEW – MATED CONNECTORS SCALE: NONE

mat'l. code SEE NOTE 1		surface ASME Y14.5	tolerance ASME Y14.5	projection 	product family MEG-ARRAY
ltr	ecn no	dr	date	tolerances unless otherwise specified	title
N				angles x*3 .XX*.13 0° ±2'	10mm MM 10 X 30 = 300 POSITION
				XXX*.051	scale 2:1
		dr	D. WAUGHEN	1998-12-16	dwg no
		engr	D. HARPER	1998-12-16	sheet 3 of 5
		chr	D. HARPER	1998-12-16	size
		appd	D. HARPER	1998-12-16	84500
sheet index	revision sheet				type CUSTOMER Drawing

PRODUCT NUMBER	PICK-UP CAP (NATURAL OR BLACK IN COLOR)	CONTACT PLATING AND THICKNESS	SOLDER BALL	NOTES
84500-002	YES	15µ" (.38µm) Au	SnPb	
84500-002LF	YES	15µ" (.38µm) Au	LEAD FREE	7 & 8
84500-092	YES	15µ" (.38µm) GXT	SnPb	
84500-092LF	YES	15µ" (.38µm) GXT	LEAD FREE	7 & 8
84500-102	YES	30µ" (.76µm) Au	SnPb	
84500-102LF	YES	30µ" (.76µm) Au	LEAD FREE	7 & 8
84500-192	YES	30µ" (.76µm) GXT	SnPb	
84500-192LF	YES	30µ" (.76µm) GXT	LEAD FREE	7 & 8
84500-202	YES	50µ" (1.27µm) Au SPECIAL	SnPb	4, & 5
84500-202LF	YES	50µ" (1.27µm) Au SPECIAL	LEAD FREE	4, 5, 7 & 8
84500-292	YES	50µ" (1.27µm) GXT SPECIAL	SnPb	4, & 5
84500-292LF	YES	50µ" (1.27µm) GXT SPECIAL	LEAD FREE	4, 5, 7, & 8
84500-A02	YES	30µ" (.76µm)	SnPb	9
84500-A02LF	YES	30µ" (.76µm)	LEAD FREE	7, 8 & 9
84500-302	YES	15µ" (.38µm) Au SPECIAL	SnPb	9
84500-302LF	YES	15µ" (.38µm) Au SPECIAL	LEAD FREE	8 & 9
84500-402	YES	30µ" (.76µm) Au SPECIAL	SnPb	9
84500-402LF	YES	30µ" (.76µm) Au SPECIAL	LEAD FREE	8 & 9
84500-502	YES	Au SPECIAL	SnPb	4, 5 & 9
84500-502LF	YES	Au SPECIAL	LEAD FREE	4, 5, 8, & 9

mat'l. code		SnPb		surface		tolerance		projection		product family	
SEE NOTE 1				ASME Y14.5		ASME Y14.5				MEG-ARRAY	
ltr	ecn no	dr	date	tolerances unless otherwise specified						title	
N				angles	XXX+051	MM				0mm PLUG ASSEMBLY	
				0° ±2'	XXX+051	scale 2:1				10 X 30 = 300 POSITIONS	
				dr	T. BREWBAKER	2011-06-06				dwg no	
				engr	T. BREWBAKER	2011-06-06				sheet 4 of 5 size	
				chr	T. BREWBAKER	2011-06-06				84500 A4	
				appd	D. HORCHLER	2011-06-06				type CUSTOMER Drawing	
sheet	revision										
index	sheet										


PRODUCT NUMBER
SEE TABLE

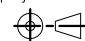
NOTES:

- ① MATERIAL:
HOUSING: LCP
CONTACT: COPPER ALLOY

PLATING:
CONTACT: (SEE TABLE)
SOLDER BALL: (SEE TABLE)
EUTECTIC SnPb OR LEAD FREE
95.5Sn/4Ag/0.5Cu
- ② SOLDER BALLS WILL NOT BE PERFECT SPHERICAL SHAPE DUE TO REFLOW ATTACHMENT.
- ③ MATED HEIGHT EFFECTED BY CUSTOMER'S PCB PAD SIZE, PLATING, SOLDER REFLOW PROFILE, & SOLDER PASTE.
- ④ PLATING FOR INDICATED -2XX SERIES PRODUCT NUMBERS MEET THE REQUIREMENTS OF (GR-1217-CORE, CENTRAL OFFICE ENVIRONMENT, 25 YEAR LIFE EXPECTANCY).
- ⑤ PLATING FOR INDICATED -2XX SERIES PART NOS. IS Au OVER Ni WITH SPECIAL CONTACT GEOMETRY TO MEET REQUIREMENTS OF TELCORDIA GR-1217-CORE: CENTRAL OFFICE ENVIRONMENT.
- ⑥ KNIT LINE: SLIGHT VISIBLE MARKS (USUALLY A LINE) INDICATING THE DIRECTION AND MEETING POINT OF PLASTIC RESIN FLOW FRONTS TRAVELING AROUND ANY OBSTRUCTIONS TO THE RESIN FLOW VIA THE REQUIRED MOLD TOOLING.

- ⑦ FOR PROPER APPLICATION FOLLOW FCI APPLICATION SPECIFICATION GS-20-033 LEAD FREE SOLDER BALLS WILL NOT SOLDER PROPERLY IN A LEADED SOLDER PROCESS DUE TO A HIGHER REFLOW TEMPERATURE. LEAD FREE PRODUCT IS THEREFORE NOT BACKWARDS COMPATIBLE WITH LEADED OR SOME SOLDERING APPLICATIONS. REFERENCE FCI APPLICATION SPECIFICATION.
- ⑧ THIS PRODUCT MEETS EUROPEAN UNION DIRECTIVES AND OTHER COUNTRY REGULATIONS AS DESCRIBED IN GS-47-0004 PRODUCT MEETING THIS DIRECTIVE IS IDENTIFIED IN THE LOT CODE NUMBER MARKED ON EACH PART BY HAVING AN "X" IN THE SEVENTH CHARACTER POSITION.
- ⑨ 84500-A02 AND -A02LF ARE CUSTOMER SPECIALS.
- ⑩ CURRENT COMPANY LOGO TO BE VISIBLE IN APPROXIMATE AREA SHOWN.

11. A  SYMBOL WILL BE NEXT TO ANY DIMENSION, NEW VIEW OR NOTE WHICH HAS BEEN MODIFIED WITH THE CURRENT DRAWING REVISION

mat'l. code		surface		tolerance		projection		product family	
SEE NOTE 1		ASME Y14.5		ASME Y14.5				MEG-ARRAY	
ltr	ecn no	dr	date	tolerances unless otherwise specified				title	
N				angles	mm	MM		0mm PLUG ASSEMBLY	
				0° ±2'	XXX+051	scale 2:1		10 X 30 = 300 POSITIONS	
		dr	T. BREWBAKER	2011-06-06			dwg no		sheet 5 of 5
		engr	T. BREWBAKER	2011-06-06			84500		size A4
		chr	T. BREWBAKER	2011-06-06			type		CUSTOMER Drawing
		appd	D. HORCHLER	2011-06-06					
sheet index	revision sheet								