

# HD74LS95B ● 4-bit Parallel Access Shift Registers

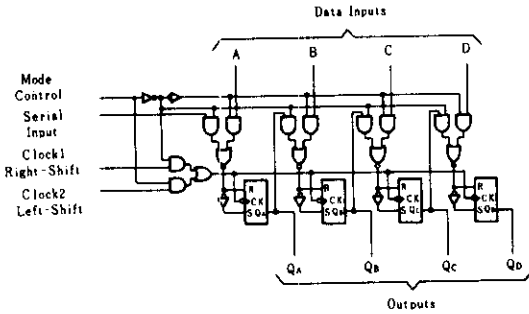
This 4-bit register features parallel and serial inputs, parallel outputs, mode control, and two clock inputs. The register has three mode operation:

- Parallel (broadside) load
- Shift right (the direction  $Q_A$  toward  $Q_D$ )
- Shift left (the direction  $Q_D$  toward  $Q_A$ )

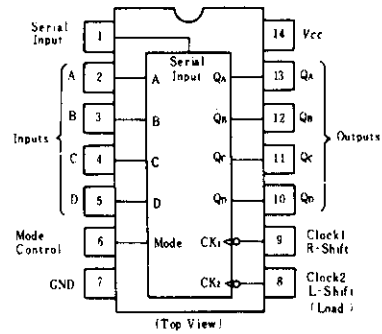
Parallel loading is accomplished by applying the four bits of data and taking the mode control input high. The data is loaded into the associated flip-flops and appears at the outputs after the high-to-low transition of the clock-2 input. During loading, the entry of serial data is inhibited. Shift right is accomplished on the high-to-low transition of clock-1 when the

mode control is low; shift left is accomplished on the high-to-low transition of clock-2 when the mode control is high by connecting the output of each flip-flop to the parallel input of the previous flip-flop ( $Q_D$  to input C, etc.) and serial data is entered at input D. The clock input may be applied commonly to clock-1 and clock-2 if both modes can be clocked from the same source. Changes at the mode control input should normally be made while both clock inputs are low; however, conditions described in the last three lines of the function table will also ensure that register contents are protected.

## ■ BLOCK DIAGRAM



## ■ PIN ARRANGEMENT



## ■ FUNCTION TABLE

Mode Control	Clocks		Inputs				Outputs				
	2(L)	1(H)	Serial	A	B	C	D	$Q_A$	$Q_B$	$Q_C$	$Q_D$
H	H	X	X	X	X	X	X	$Q_{A0}$	$Q_{B0}$	$Q_{C0}$	$Q_{D0}$
H	↓	X	X	a	b	c	d	a	b	c	d
H	↓	X	X	$Q_B^\dagger$	$Q_C^\dagger$	$Q_D^\dagger$	d	$Q_{Bn}$	$Q_{Cn}$	$Q_{Dn}$	d
L	L	H	X	X	X	X	X	$Q_{A0}$	$Q_{B0}$	$Q_{C0}$	$Q_{D0}$
L	X	↓	H	X	X	X	X	H	$Q_{An}$	$Q_{Bn}$	$Q_{Cn}$
L	X	↓	L	X	X	X	X	L	$Q_{An}$	$Q_{Bn}$	$Q_{Cn}$
↑	L	L	X	X	X	X	X	$Q_{A0}$	$Q_{B0}$	$Q_{C0}$	$Q_{D0}$
↓	L	L	X	X	X	X	X	$Q_{A0}$	$Q_{B0}$	$Q_{C0}$	$Q_{D0}$
↓	L	H	X	X	X	X	X	$Q_{A0}$	$Q_{B0}$	$Q_{C0}$	$Q_{D0}$
↑	H	L	X	X	X	X	X	$Q_{A0}$	$Q_{B0}$	$Q_{C0}$	$Q_{D0}$
↑	H	H	X	X	X	X	X	$Q_{A0}$	$Q_{B0}$	$Q_{C0}$	$Q_{D0}$

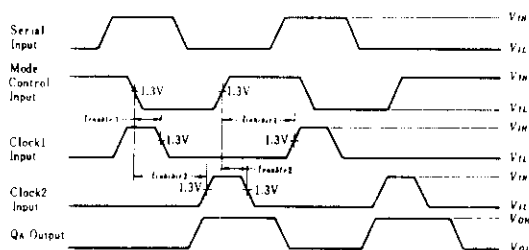
- Notes)
1. H; high level, L; low level, X; irrelevant
  2. †; transition from low to high level
  3. ‡; transition from high to low level
  4. a~d; the level of steady-state input at inputs A,B,C, or D, respectively
  5.  $Q_{A0} \sim Q_{D0}$ ; the level of  $Q_A$ ,  $Q_B$ ,  $Q_C$ , or  $Q_D$ , respectively,

6.  $Q_{An} \sim Q_{Dn}$ ; the level of  $Q_A$ ,  $Q_B$ ,  $Q_C$ , or  $Q_D$ , respectively, before the most-recent (†) transition of the clock.
7. ‡; Shifting left requires external connection of  $Q_B$  to A,  $Q_C$  to B, and  $Q_D$  to C. Serial data is entered at input D.

# HD74LS95B

## RECOMMENDED OPERATING CONDITIONS

Item	Symbol	min	typ	max	Unit
Clock frequency	$f_{clock}$	0	—	25	MHz
Clock pulse width	$t_w(CK)$	25	—	—	ns
Setup time	$t_{su}$	20	—	—	ns
Hold time	$t_h$	10	—	—	ns
Enable time 1	$t_{enable 1}$	20	—	—	ns
Enable time 2	$t_{enable 2}$	20	—	—	ns
Inhibit time 1	$t_{inhibit 1}$	20	—	—	ns
Inhibit time 2	$t_{inhibit 2}$	20	—	—	ns



Clock Enable/Inhibit Times

## ELECTRICAL CHARACTERISTICS ( $T_a = -20 \sim +75^\circ\text{C}$ )

Item	Symbol	Test Conditions	min	typ*	max	Unit	
Input voltage	$V_{IH}$		2.0	—	—	V	
	$V_{IL}$		—	—	0.8		
Output voltage	$V_{OH}$	$V_{CC} = 4.75\text{V}$ , $V_{IH} = 2\text{V}$ , $V_{IL} = 0.8\text{V}$ , $I_{OH} = -400\mu\text{A}$	2.7	—	—	V	
	$V_{OL}$	$V_{CC} = 4.75\text{V}$ , $V_{IH} = 2\text{V}$ , $V_{IL} = 0.8\text{V}$	$I_{OL} = 4\text{mA}$	—	—	0.4	V
			$I_{OL} = 8\text{mA}$	—	—	0.5	
Input current	$I_{IH}$	$V_{CC} = 5.25\text{V}$ , $V_i = 2.7\text{V}$	—	—	20	$\mu\text{A}$	
	$I_{IL}$	$V_{CC} = 5.25\text{V}$ , $V_i = 0.4\text{V}$	—	—	-0.4	$\text{mA}$	
	$I_i$	$V_{CC} = 5.25\text{V}$ , $V_i = 7\text{V}$	—	—	0.1	$\text{mA}$	
Short-circuit output current	$I_{OS}$	$V_{CC} = 5.25\text{V}$	-20	—	-100	$\text{mA}$	
Supply current**	$I_{CC}$	$V_{CC} = 5.25\text{V}$	—	13	21	$\text{mA}$	
Input clamp voltage	$V_{IK}$	$V_{CC} = 4.75\text{V}$ , $I_{IN} = -18\text{mA}$	—	—	-1.5	V	

\*  $V_{CC} = 5\text{V}$ ,  $T_a = 25^\circ\text{C}$

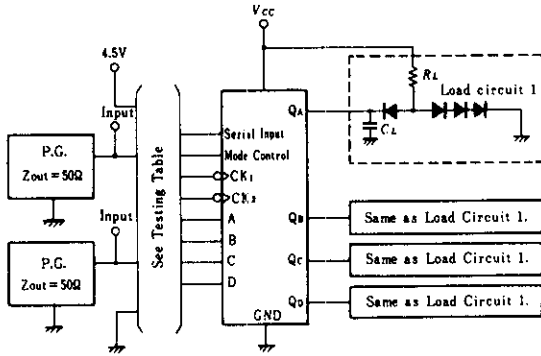
\*\* $I_{CC}$  is measured with all outputs and serial input open; A, B, C, and D inputs grounded; mode control at 4.5V; and momentary 3V, then ground, applied both clock inputs.

## SWITCHING CHARACTERISTICS ( $V_{CC} = 5\text{V}$ , $T_a = 25^\circ\text{C}$ )

Item	Symbol	Test Conditions	min	typ	max	Unit
Maximum clock frequency	$f_{max}$	$C_L = 15\text{pF}$ , $R_L = 2\text{k}\Omega$	25	36	—	MHz
Propagation delay time	$t_{PLH}$		—	18	27	ns
	$t_{PHL}$		—	21	32	ns

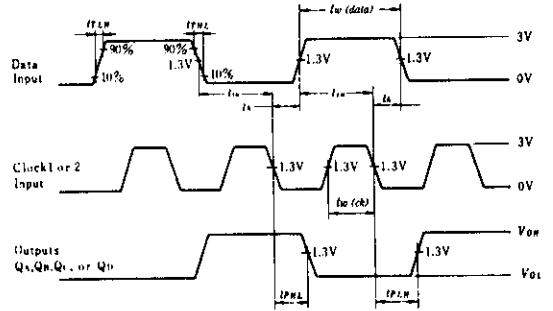
## TESTING METHOD

### 1) Test Circuit



- Notes) 1.  $C_L$  includes probe and jig capacitance.  
2. All diodes are 1S2074  $\text{\textcircled{B}}$ .

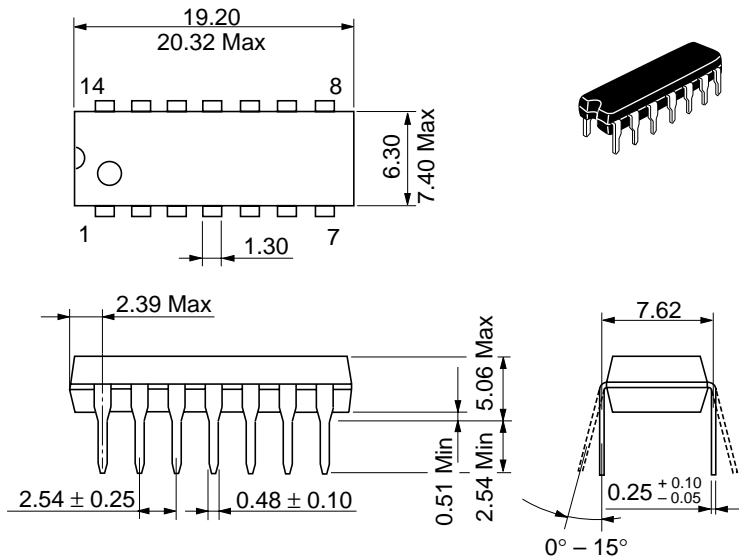
### Waveform



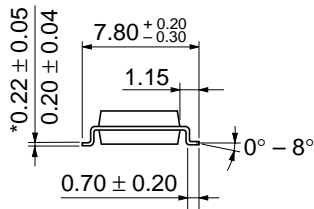
- Note) 1. Input pulse:  $t_{TLH}, t_{THL} \leq 10\text{ns}$ ,  
Data  $PRR=500\text{kHz}$   
Clock  $PRR=1\text{MHz}$

### 2) Testing Table

Item	From input to output	Inputs								Outputs			
		CK-1	CK-2	Mode Control	Serial Inputs	A	B	C	D	QA	QB	QC	QD
$f_{max}$	CK-1→Q	IN	4.5V	0V	IN	4.5V	4.5V	4.5V	4.5V	OUT	OUT	OUT	OUT
	CK-2→Q	4.5V	IN	4.5V	4.5V	IN	IN	IN	IN	OUT	OUT	OUT	OUT
$t_{PLH}$	CK-1→Q	IN	4.5V	0V	IN	4.5V	4.5V	4.5V	4.5V	OUT	OUT	OUT	OUT
$t_{PHL}$	CK-2→Q	4.5V	IN	4.5V	4.5V	IN	IN	IN	IN	OUT	OUT	OUT	OUT

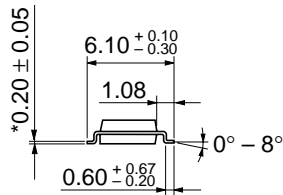
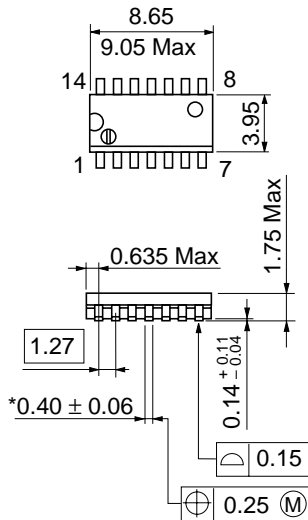


Hitachi Code	DP-14
JEDEC	Conforms
EIAJ	Conforms
Weight (reference value)	0.97 g



Hitachi Code	FP-14DA
JEDEC	—
EIAJ	Conforms
Weight (reference value)	0.23 g

\*Dimension including the plating thickness  
Base material dimension



Hitachi Code	FP-14DN
JEDEC	Conforms
EIAJ	Conforms
Weight (reference value)	0.13 g

## Cautions

1. Hitachi neither warrants nor grants licenses of any rights of Hitachi's or any third party's patent, copyright, trademark, or other intellectual property rights for information contained in this document. Hitachi bears no responsibility for problems that may arise with third party's rights, including intellectual property rights, in connection with use of the information contained in this document.
2. Products and product specifications may be subject to change without notice. Confirm that you have received the latest product standards or specifications before final design, purchase or use.
3. Hitachi makes every attempt to ensure that its products are of high quality and reliability. However, contact Hitachi's sales office before using the product in an application that demands especially high quality and reliability or where its failure or malfunction may directly threaten human life or cause risk of bodily injury, such as aerospace, aeronautics, nuclear power, combustion control, transportation, traffic, safety equipment or medical equipment for life support.
4. Design your application so that the product is used within the ranges guaranteed by Hitachi particularly for maximum rating, operating supply voltage range, heat radiation characteristics, installation conditions and other characteristics. Hitachi bears no responsibility for failure or damage when used beyond the guaranteed ranges. Even within the guaranteed ranges, consider normally foreseeable failure rates or failure modes in semiconductor devices and employ systemic measures such as fail-safes, so that the equipment incorporating Hitachi product does not cause bodily injury, fire or other consequential damage due to operation of the Hitachi product.
5. This product is not designed to be radiation resistant.
6. No one is permitted to reproduce or duplicate, in any form, the whole or part of this document without written approval from Hitachi.
7. Contact Hitachi's sales office for any questions regarding this document or Hitachi semiconductor products.

# HITACHI

## Hitachi, Ltd.

Semiconductor & Integrated Circuits.  
Nippon Bldg., 2-6-2, Ohte-machi, Chiyoda-ku, Tokyo 100-0004, Japan  
Tel: Tokyo (03) 3270-2111 Fax: (03) 3270-5109

URL      North America      : <http://semiconductor.hitachi.com/>  
             Europe                 : <http://www.hitachi-eu.com/hel/ecg>  
             Asia (Singapore)      : <http://www.has.hitachi.com.sg/grp3/sicd/index.htm>  
             Asia (Taiwan)            : [http://www.hitachi.com.tw/E/Product/SICD\\_Frame.htm](http://www.hitachi.com.tw/E/Product/SICD_Frame.htm)  
             Asia (HongKong)        : <http://www.hitachi.com.hk/eng/bo/grp3/index.htm>  
             Japan                        : <http://www.hitachi.co.jp/Sicd/indx.htm>

## For further information write to:

Hitachi Semiconductor  
(America) Inc.  
179 East Tasman Drive,  
San Jose, CA 95134  
Tel: <1> (408) 433-1990  
Fax: <1> (408) 433-0223

Hitachi Europe GmbH  
Electronic components Group  
Dornacher Straße 3  
D-85622 Feldkirchen, Munich  
Germany  
Tel: <49> (89) 9 9180-0  
Fax: <49> (89) 9 29 30 00

Hitachi Europe Ltd.  
Electronic Components Group.  
Whitebrook Park  
Lower Cookham Road  
Maidenhead  
Berkshire SL6 8YA, United Kingdom  
Tel: <44> (1628) 585000  
Fax: <44> (1628) 778322

Hitachi Asia Pte. Ltd.  
16 Collyer Quay #20-00  
Hitachi Tower  
Singapore 049318  
Tel: 535-2100  
Fax: 535-1533

Hitachi Asia Ltd.  
Taipei Branch Office  
3F, Hung Kuo Building, No.167,  
Tun-Hwa North Road, Taipei (105)  
Tel: <886> (2) 2718-3666  
Fax: <886> (2) 2718-8180

Hitachi Asia (Hong Kong) Ltd.  
Group III (Electronic Components)  
7/F., North Tower, World Finance Centre,  
Harbour City, Canton Road, Tsim Sha Tsui,  
Kowloon, Hong Kong  
Tel: <852> (2) 735 9218  
Fax: <852> (2) 730 0281  
Telex: 40815 HITEC HX

Copyright ' Hitachi, Ltd., 1999. All rights reserved. Printed in Japan.

**HITACHI**