

DATA SHEET

For a complete data sheet, please also download:

- The IC06 74HC/HCT/HCU/HCMOS Logic Family Specifications
- The IC06 74HC/HCT/HCU/HCMOS Logic Package Information
- The IC06 74HC/HCT/HCU/HCMOS Logic Package Outlines

74HC/HCT182

Look-ahead carry generator

Product specification
File under Integrated Circuits, IC06

December 1990

Look-ahead carry generator

74HC/HCT182

FEATURES

- Provides carry look-ahead across a group of four ALU's
- Multi-level look-ahead for high-speed arithmetic operation over long word length
- Output capability: standard
- I_{CC} category: MSI

GENERAL DESCRIPTION

The 74HC/HCT182 are high-speed Si-gate CMOS devices and are pin compatible with low power Schottky TTL (LSTTL). They are specified in compliance with JEDEC standard no. 7A.

The 74HC/HCT182 carry look-ahead generators accept up to four pairs of active LOW carry propagate ($\overline{P}_0, \overline{P}_1, \overline{P}_2, \overline{P}_3$) and carry generate ($\overline{G}_0, \overline{G}_1, \overline{G}_2, \overline{G}_3$) signals and an active HIGH carry input (C_n). The devices provide

anticipated active HIGH carries ($C_{n+x}, C_{n+y}, C_{n+z}$) across four groups of binary adders.

The "182" also has active LOW carry propagate (\overline{P}) and carry generate (\overline{G}) outputs which may be used for further levels of look-ahead.

The logic equations provided at the outputs are:

$$C_{n+x} = G_0 + P_0 C_n$$

$$C_{n+y} = G_1 + P_1 G_0 + P_1 P_0 C_n$$

$$C_{n+z} = G_2 + P_2 G_1 + P_2 P_1 G_0 + P_2 P_1 P_0 C_n$$

$$\overline{G} = \overline{G}_3 + \overline{P}_3 \overline{G}_2 + \overline{P}_3 \overline{P}_2 \overline{G}_1 + \overline{P}_3 \overline{P}_2 \overline{P}_1 \overline{G}_0$$

$$\overline{P} = \overline{P}_3 \overline{P}_2 \overline{P}_1 \overline{P}_0$$

The "182" can also be used with binary ALU's in an active LOW or active HIGH input operand mode. The connections to and from the ALU to the carry look-ahead generator are identical in both cases.

QUICK REFERENCE DATA

GND = 0 V; T_{amb} = 25 °C; t_r = t_f = 6 ns

SYMBOL	PARAMETER	CONDITIONS	TYPICAL		UNIT
			HC	HCT	
t _{PHL} / t _{PLH}	propagation delay	C _L = 15 pF; V _{CC} = 5 V			
	\overline{P}_n to \overline{P}		11	14	ns
	C _n to any output		17	21	ns
	\overline{P}_n or \overline{G}_n to any output		14	17	ns
C _I	input capacitance		3.5	3.5	pF
C _{PD}	power dissipation capacitance per package	notes 1 and 2	50	50	pF

Notes

1. C_{PD} is used to determine the dynamic power dissipation (P_D in μW):

$$P_D = C_{PD} \times V_{CC}^2 \times f_i + \sum (C_L \times V_{CC}^2 \times f_o) \text{ where:}$$

f_i = input frequency in MHz

f_o = output frequency in MHz

∑ (C_L × V_{CC}² × f_o) = sum of outputs

C_L = output load capacitance in pF

V_{CC} = supply voltage in V

2. For HC the condition is V_I = GND to V_{CC}

For HCT the condition is V_I = GND to V_{CC} - 1.5 V

ORDERING INFORMATION

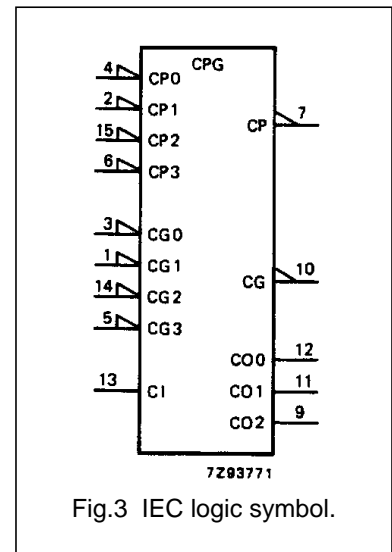
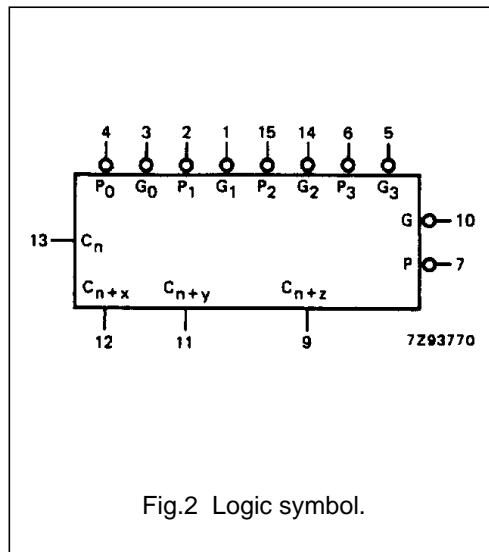
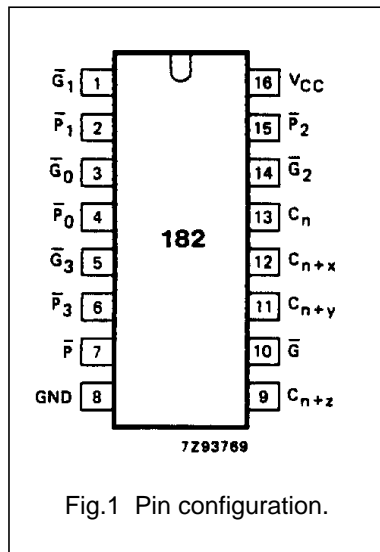
See "74HC/HCT/HCU/HCMOS Logic Package Information".

Look-ahead carry generator

74HC/HCT182

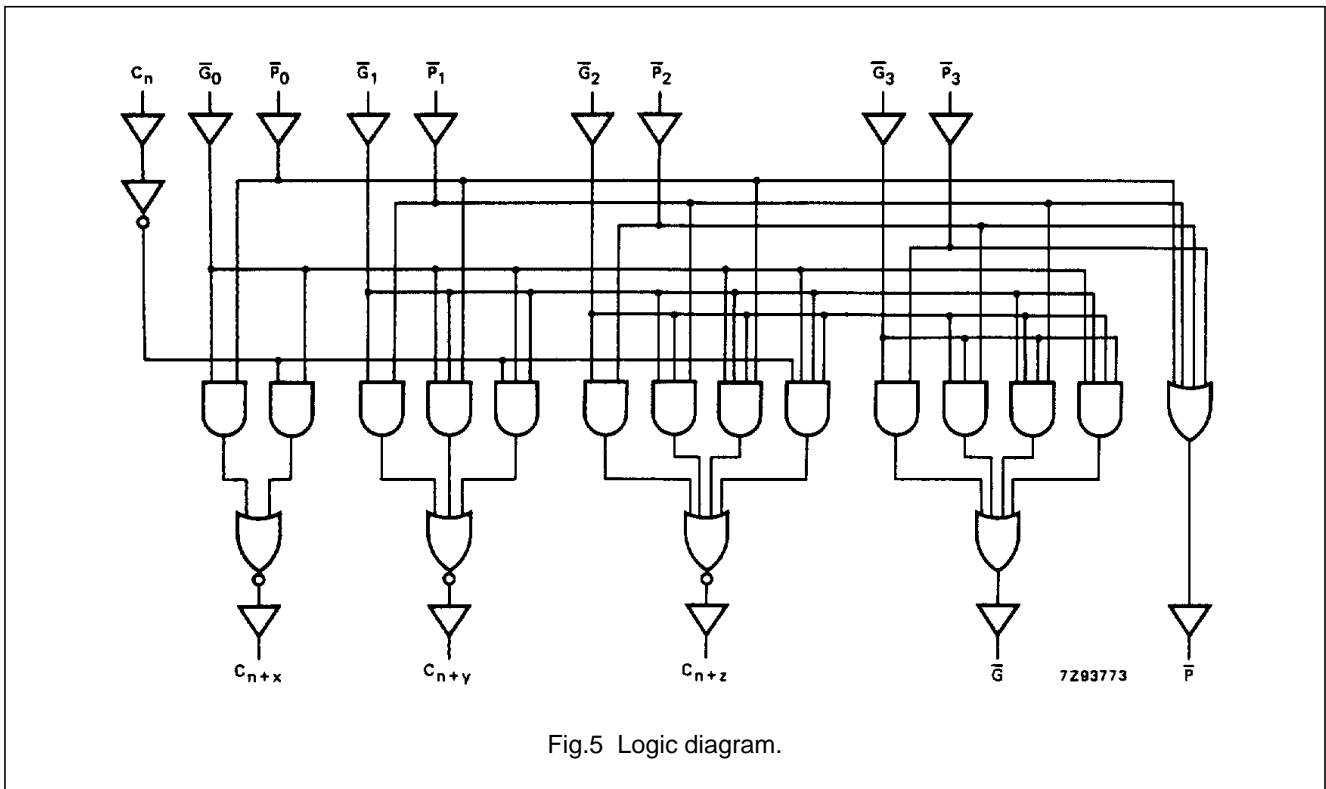
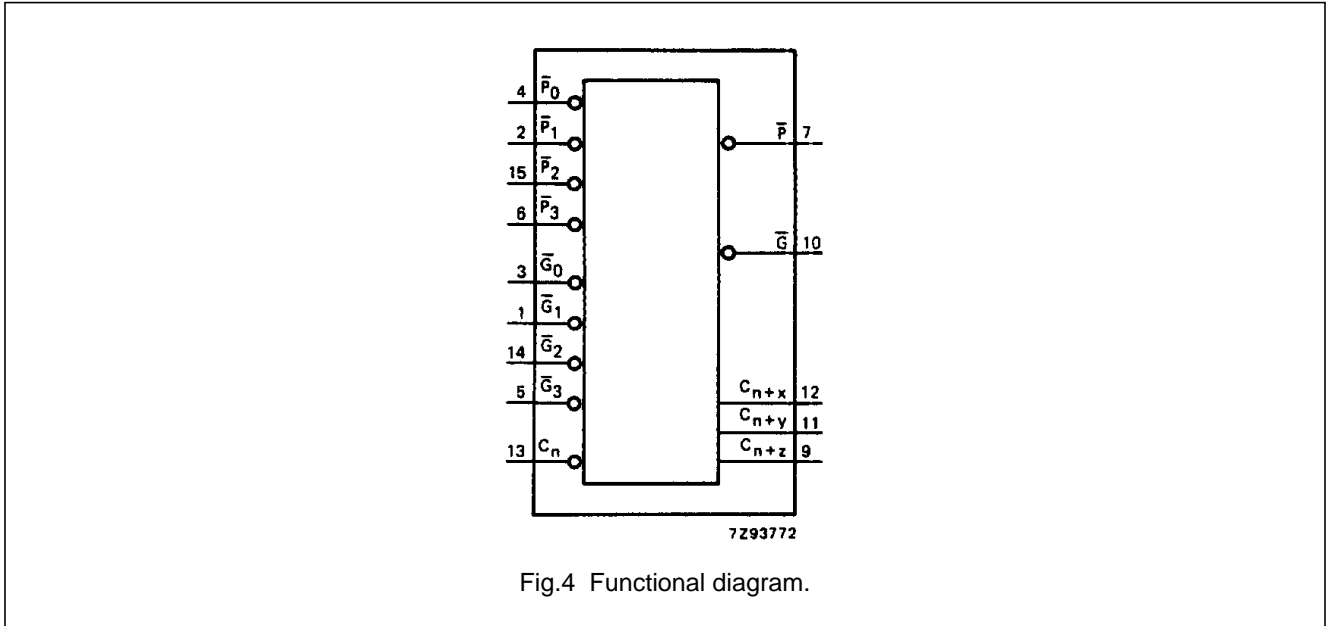
PIN DESCRIPTION

PIN NO.	SYMBOL	NAME AND FUNCTION
3, 1, 14, 5	\overline{G}_0 to \overline{G}_3	carry generate inputs (active LOW)
4, 2, 15, 6	\overline{P}_0 to \overline{P}_3	carry propagate inputs (active LOW)
7	\overline{P}	carry propagate output (active LOW)
8	GND	ground (0 V)
9	C_{n+z}	function output
10	\overline{G}	carry generate output (active LOW)
11	C_{n+y}	function output
12	C_{n+x}	function output
13	C_n	carry input (active HIGH)
16	V_{CC}	positive supply voltage



Look-ahead carry generator

74HC/HCT182



Look-ahead carry generator

74HC/HCT182

FUNCTION TABLE

INPUTS									OUTPUTS				
C_n	\overline{G}_0	\overline{P}_0	\overline{G}_1	\overline{P}_1	\overline{G}_2	\overline{P}_2	\overline{G}_3	\overline{P}_3	C_{n+x}	C_{n+y}	C_{n+z}	\overline{G}	\overline{P}
X	H	H							L				
L	H	X							L				
X	L	X							L				
H	X	L							H				
X	X	X	H	H						L			
X	H	H	H	X						L			
L	H	X	H	X						L			
X	X	X	L	X						L			
X	L	X	X	L						L			
H	X	L	X	L						H			
X	X	X	X	X	H	H					L		
X	X	X	H	H	H	X					L		
L	H	X	H	X	H	X					L		
X	X	X	X	X	X	X	L	X			H		
X	X	X	L	X	X	L	X	L			H		
H	L	L	X	L	X	L	X	L			H		
	X		X	X	X	X	H	H				H	
	X		H	H	H	X	H	X				H	
	H		H	X	H	X	H	X				H	
	X		X	X	X	X	L	X				L	
	X		L	X	X	L	X	L				L	
	L		X	L	X	L	X	L				L	
		H		X		X		X					H
		X		H		X		X					H
		X		X		H		X					H
		X		X		X		H					H
		L		L		L		L					L

Notes

1. H = HIGH voltage level
L = LOW voltage level
X = don't care

Look-ahead carry generator

74HC/HCT182

DC CHARACTERISTICS FOR 74HC

For the DC characteristics see *"74HC/HCT/HCU/HCMOS Logic Family Specifications"*.

Output capability: standard

I_{CC} category: MSI

AC CHARACTERISTICS FOR 74HC

GND = 0 V; t_r = t_f = 6 ns; C_L = 50 pF

SYMBOL	PARAMETER	T _{amb} (°C)						UNIT	TEST CONDITIONS		
		74HC							V _{CC} (V)	WAVEFORMS	
		+25			-40 to +85		-40 to +125				
		min.	typ.	max.	min.	max.	min.				max.
t _{PHL} / t _{PLH}	propagation delay \overline{P}_n to \overline{P}		30 14 11	120 24 20		150 30 26		180 36 31	ns	2.0 4.5 6.0	Fig.6
t _{PHL} / t _{PLH}	propagation delay C _n to any output		55 20 16	170 34 29		215 43 37		255 51 43	ns	2.0 4.5 6.0	Fig.6
t _{PHL} / t _{PLH}	propagation delay \overline{P}_n to \overline{G}		47 17 14	145 29 25		180 36 31		220 44 38	ns	2.0 4.5 6.0	Fig.6
t _{PHL} / t _{PLH}	propagation delay \overline{P}_n to C _{n+n}		47 17 14	145 29 25		180 36 31		220 44 38	ns	2.0 4.5 6.0	Fig.6
t _{PHL} / t _{PLH}	propagation delay \overline{G}_n to C _{n+n}		44 16 13	135 27 23		170 34 29		205 41 35	ns	2.0 4.5 6.0	Fig.6
t _{PHL} / t _{PLH}	propagation delay \overline{G}_n to \overline{G}		41 15 12	135 27 23		170 34 29		205 41 35	ns	2.0 4.5 6.0	Fig.6
t _{THL} / t _{TLH}	output transition time		19 7 6	75 15 13		95 19 16		110 22 19	ns	2.0 4.5 6.0	Fig.6

Look-ahead carry generator

74HC/HCT182

DC CHARACTERISTICS FOR 74HCT

For the DC characteristics see *"74HC/HCT/HCU/HCMOS Logic Family Specifications"*.

Output capability: standard

I_{CC} category: MSI

Note to HCT types

The value of additional quiescent supply current (ΔI_{CC}) for a unit load of 1 is given in the family specifications. To determine ΔI_{CC} per input, multiply this value by the unit load coefficient shown in the table below.

INPUT	UNIT LOAD COEFFICIENT
$\overline{G}_0, \overline{G}_1, \overline{P}_0, \overline{P}_1, \overline{P}_2$	1.50
\overline{G}_3	0.30
$\overline{G}_2, \overline{P}_3, C_n$	1.25

AC CHARACTERISTICS FOR 74HCT

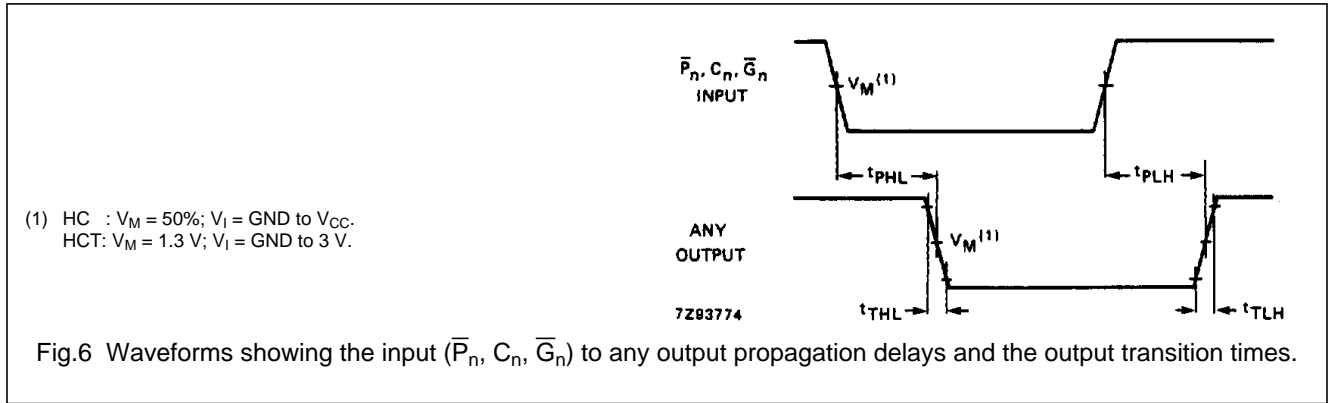
GND = 0 V; $t_r = t_f = 6$ ns; $C_L = 50$ pF

SYMBOL	PARAMETER	T_{amb} (°C)								UNIT	TEST CONDITIONS	
		74HCT									V_{CC} (V)	WAVEFORMS
		+25			-40 to +85		-40 to +125					
		min.	typ.	max.	min.	max.	min.	max.				
t_{PHL} / t_{PLH}	propagation delay \overline{P}_n to \overline{P}		17	28		35		42	ns	4.5	Fig.6	
t_{PHL} / t_{PLH}	propagation delay C_n to any output		26	43		54		65	ns	4.5	Fig.6	
t_{PHL} / t_{PLH}	propagation delay \overline{P}_n to \overline{G}		20	33		41		50	ns	4.5	Fig.6	
t_{PHL} / t_{PLH}	propagation delay \overline{P}_n to C_{n+n}		20	33		41		50	ns	4.5	Fig.6	
t_{PHL} / t_{PLH}	propagation delay \overline{G}_n to C_{n+n}, \overline{G}_n to \overline{G}		18	32		40		48	ns	4.5	Fig.6	
t_{THL} / t_{TLH}	output transition time		7	15		19		22	ns	4.5	Fig.6	

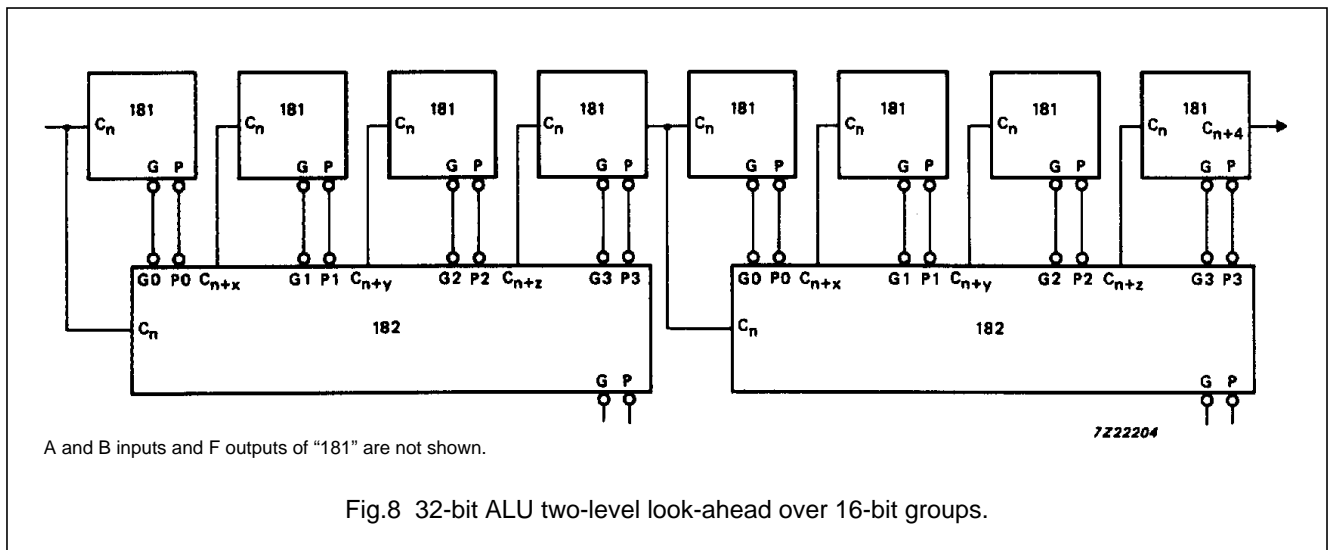
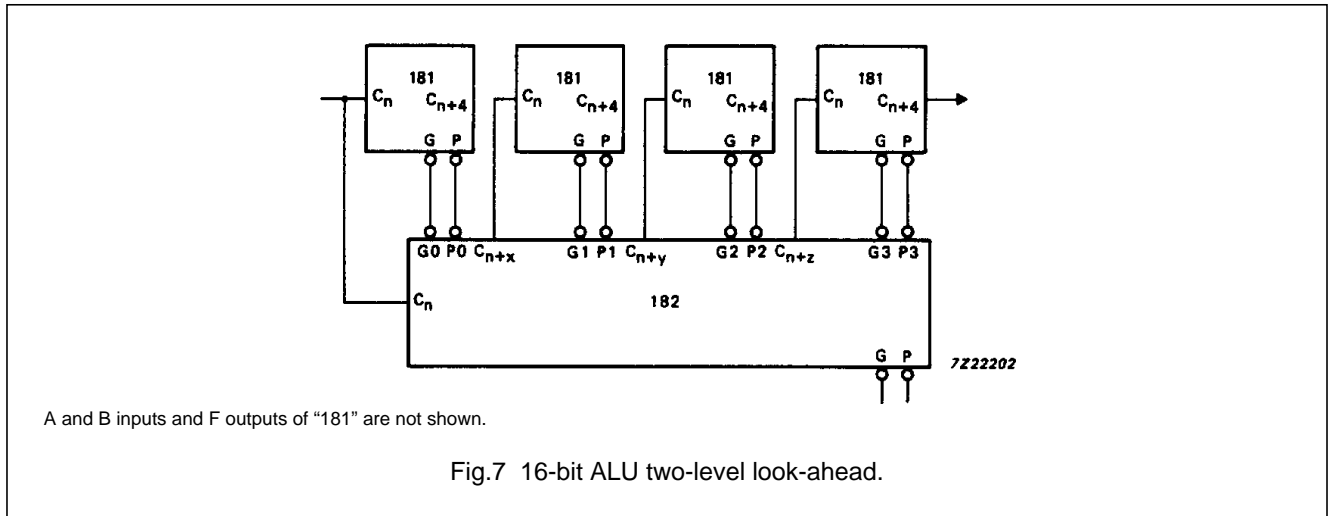
Look-ahead carry generator

74HC/HCT182

AC WAVEFORMS

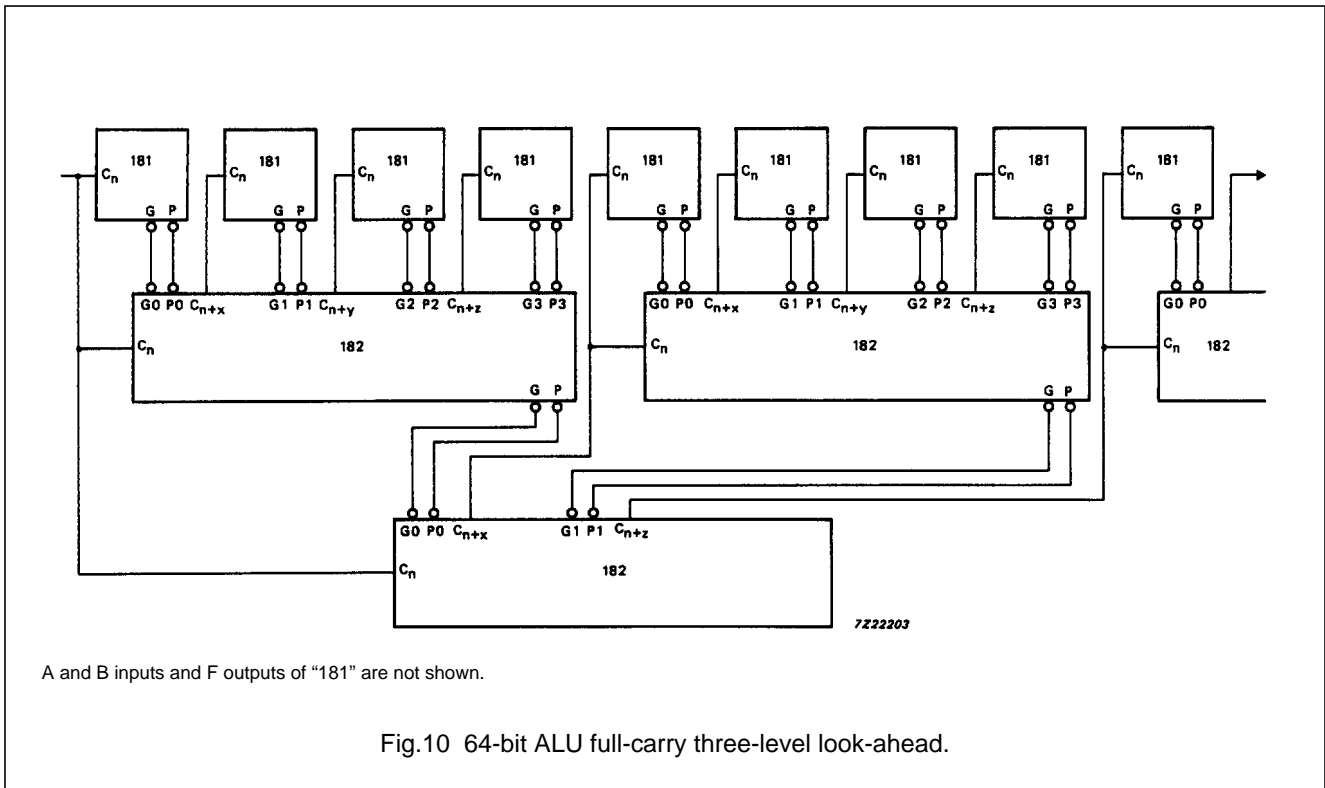
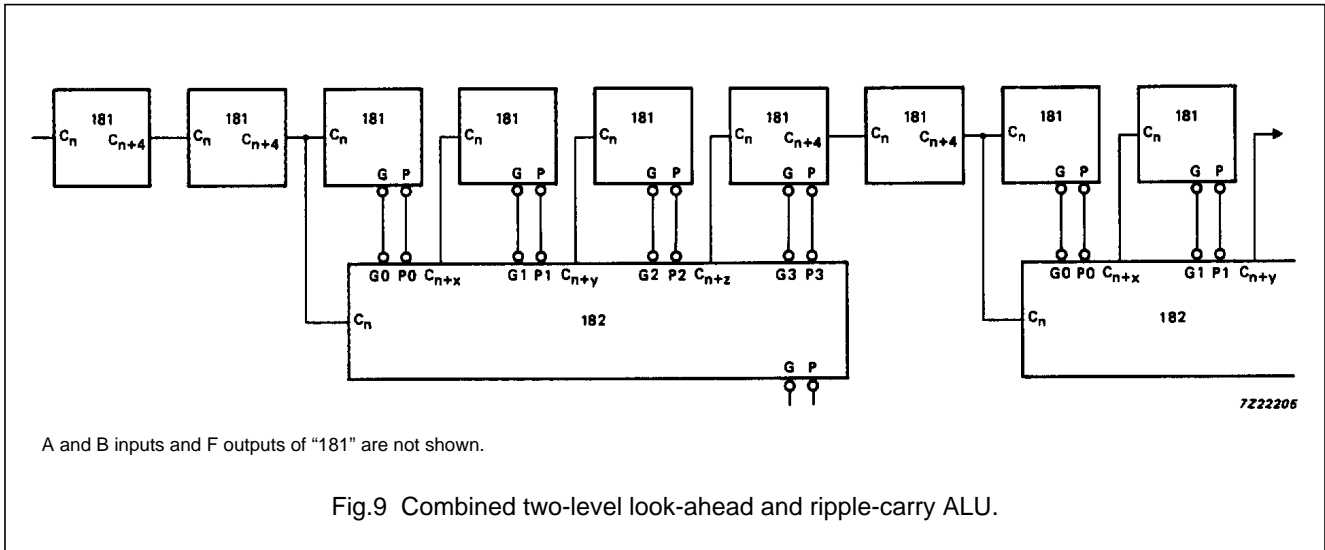


APPLICATION INFORMATION



Look-ahead carry generator

74HC/HCT182



PACKAGE OUTLINES

See "74HC/HCT/HCU/HCMOS Logic Package Outlines".