

6609122-4 ✓ ACTIVE

Corcom | Corcom L

TE Internal #: 6609122-4

Corcom L, Multi-Function Inlet Filters, Power Entry Module, Single, Single AC Input, DPST, Filter Shield, Vertical

[View on TE.com >](#)



EMI Filters > Multi-Function Inlet Filters > CORCOM L SERIES MULTI-FUNCTION INLET FIL



Filter Type: **Power Entry Module**

Voltage Selection: **Single**

Input Voltage Select: **Single AC**

Switch Type: **DPST**

Shield Style: **Filter Shield**

[All CORCOM L SERIES MULTI-FUNCTION INLET FIL \(30\)](#)

## Features

### Product Type Features

Ground Choke Option	No
Ground Option	None
Filter Type	Power Entry Module
Switch Type	DPST
Input Type	IEC
Output Type	.110" FASTON
Filtered	Yes
Type of Connector	IEC 320/C-14

### Configuration Features

Voltage Selection	Single
Fuse Options	Dual

### Electrical Characteristics

Input Voltage Select	Single AC
Leakage Current (Max) (120VAC, 60Hz)	250 $\mu$ A
Leakage Current (Max) (250VAC, 50Hz)	500 $\mu$ A
Current Rating	2 A
Voltage (Max)	120 VAC, 240 VAC



### Body Features

Shield Style	Filter Shield
--------------	---------------

### Mechanical Attachment

Mount Angle	Vertical
Mount Style	Flanged

### Usage Conditions

Operating Temperature Range	-10 – 40 °C
-----------------------------	-------------

### Other

Comment	Voltage Fixed
---------	---------------

## Product Compliance

[For compliance documentation, visit the product page on TE.com>](#)

EU RoHS Directive 2011/65/EU	Compliant
EU ELV Directive 2000/53/EC	Compliant
China RoHS 2 Directive MIIT Order No 32, 2016	No Restricted Materials Above Threshold
EU REACH Regulation (EC) No. 1907/2006	Current ECHA Candidate List: JUN 2020 (209) Candidate List Declared Against: JAN 2020 (205) Does not contain REACH SVHC
Halogen Content	Not Low Halogen - contains Br or Cl > 900 ppm.
Solder Process Capability	Not applicable for solder process capability

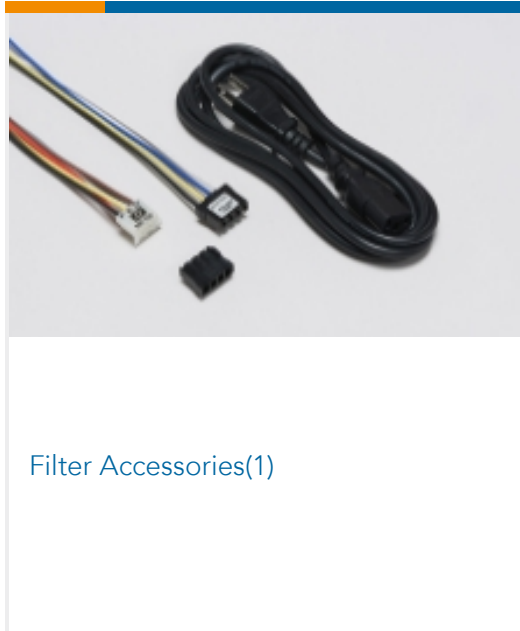
#### Product Compliance Disclaimer

This information is provided based on reasonable inquiry of our suppliers and represents our current actual knowledge based on the information they provided. This information is subject to change. The part numbers that TE has identified as EU RoHS compliant have a maximum concentration of 0.1% by weight in homogenous materials for lead, hexavalent chromium, mercury, PBB, PBDE, DBP, BBP, DEHP, DIBP, and 0.01% for cadmium, or qualify for an exemption to these limits as defined in the Annexes of Directive 2011/65/EU (RoHS2). Finished electrical and electronic equipment products will be CE marked as required by Directive 2011/65/EU. Components may not be CE marked. Additionally, the part numbers that TE has identified as EU ELV compliant have a maximum concentration of 0.1% by weight in homogenous materials for lead, hexavalent chromium, and mercury, and 0.01% for cadmium, or qualify for an exemption to these limits as defined in the Annexes of Directive 2000/53/EC (ELV). Regarding the REACH Regulation, the information TE provides on SVHC in articles for this part number is based on the latest European Chemicals Agency (ECHA) 'Guidance on requirements for substances in articles' posted at this URL: <https://echa.europa.eu/guidance-documents/guidance-on-reach>

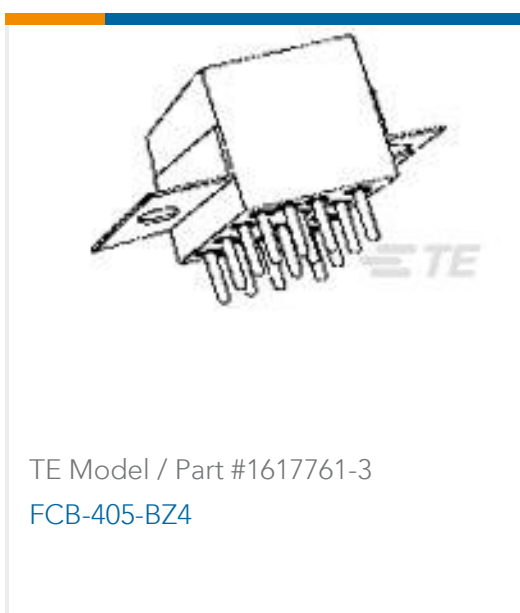
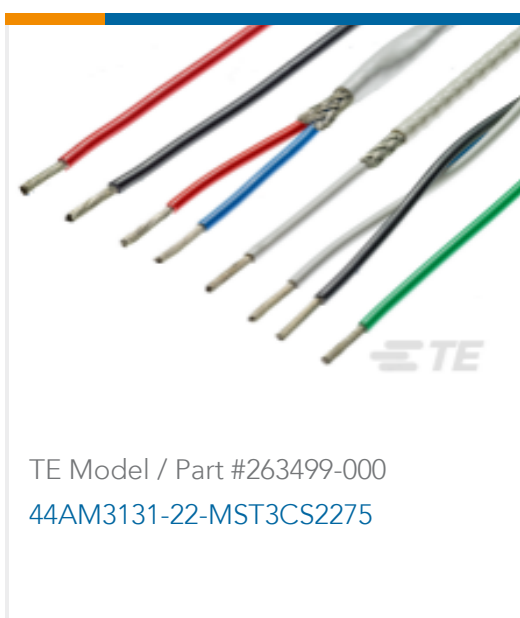
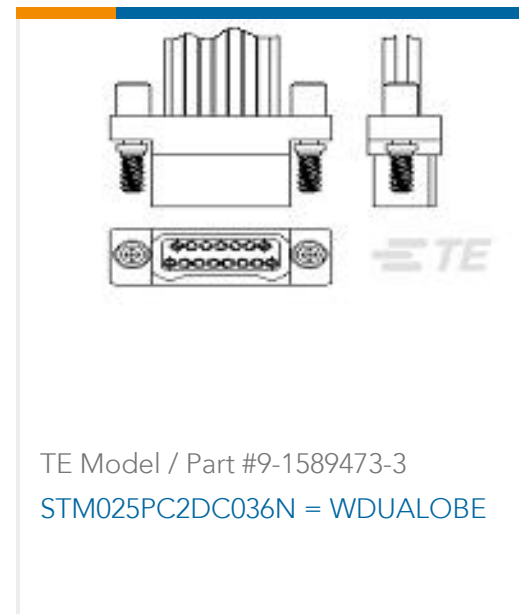
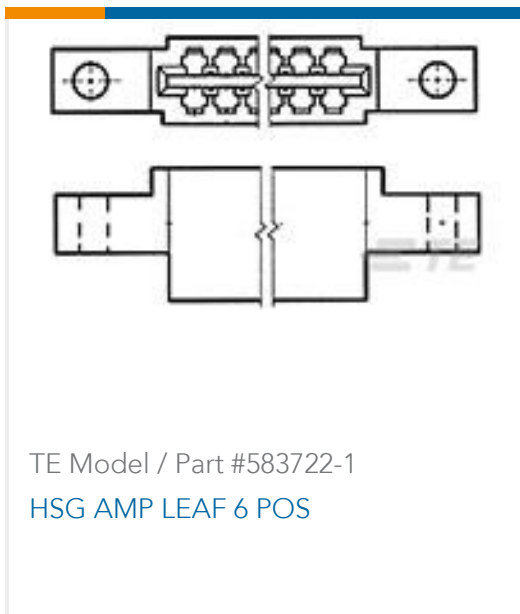
## Compatible Parts



Also in the Series | Corcom L



Customers Also Bought





## Documents

### Product Drawings

[2EDL1SM M0=F7366L](#)

English

---

### CAD Files

[3D PDF](#)

3D

Customer View Model

[ENG\\_CVM\\_CVM\\_6609122-4\\_B.2d\\_dxf.zip](#)

English

Customer View Model

[ENG\\_CVM\\_CVM\\_6609122-4\\_B.3d\\_igs.zip](#)

English

Customer View Model

[ENG\\_CVM\\_CVM\\_6609122-4\\_B.3d\\_stp.zip](#)

English

By downloading the CAD file I accept and agree to the [Terms and Conditions](#) of use.

---

### Datasheets & Catalog Pages

[1654001\\_CORCOM\\_PRODUCT\\_GUIDE](#)

English

[1654001\\_CORCOM\\_PRODUCT\\_GUIDE\\_L\\_SERIES](#)

English

[Corcom Combined Selector Charts](#)

English