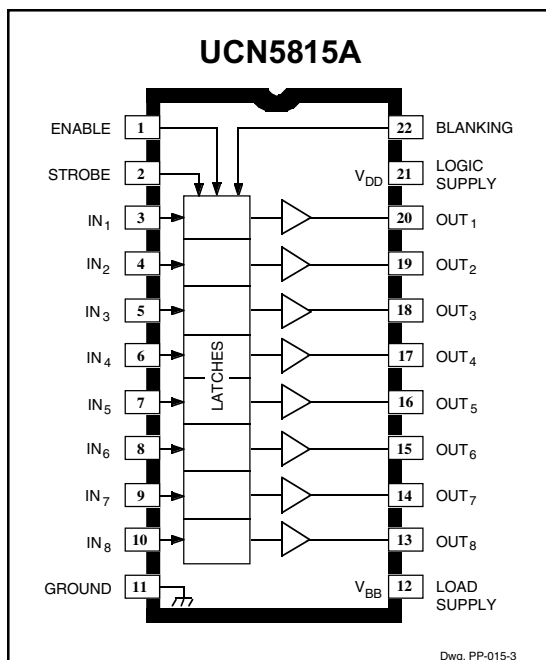


5815

BiMOS II 8-BIT LATCHED SOURCE DRIVERS



ABSOLUTE MAXIMUM RATINGS at +25°C Free-Air Temperature

Output Voltage, V_{OUT}	60 V
Logic Supply Voltage Range, V_{DD}	4.5 V to 15 V
Load Supply Voltage Range, V_{BB}	5.0 V to 60 V
Input Voltage Range, V_{IN}	-0.3 V to $V_{DD} + 0.3$ V
Continuous Output Current, I_{OUT}	-40 mA
Package Power Dissipation, P_D (UCN5815A)	2.5 W*
(UCN5815EP)	2.27 W*
Operating Temperature Range, T_A	-20°C to +85°C
Storage Temperature Range, T_S	-55°C to +150°C

* Derate linearly to 0 W at +150°C.

Caution: CMOS devices have input static protection but are susceptible to damage when exposed to extremely high static electrical charges.

Designed primarily for use with high-voltage vacuum-fluorescent displays, the UCN5815A and UCN5815EP BiMOS II integrated circuits consist of eight npn Darlington source drivers with output pull-down resistors, a CMOS latch for each driver, and common STROBE, BLANKING, and ENABLE functions.

BiMOS II devices have considerably better data-input rates than the original BiMOS circuits. With a 5 V logic supply, they will operate to at least 4.4 MHz. With a 12 V supply, significantly higher speeds are obtained. The CMOS inputs cause minimum loading and are compatible with standard CMOS and NMOS logic commonly found in microprocessor designs. TTL circuits may require the use of appropriate pull-up resistors.

The bipolar outputs may be used as segment, dot (matrix), bar, or digit drivers in vacuum-fluorescent displays. All eight outputs can be activated simultaneously at ambient temperatures in excess of 75°C. To simplify printed wiring board layout, output connections are opposite the inputs. A minimum component display subsystem, requiring few or no discrete components, can be assembled using the UCN5815A/EP with the UCN5810AF/EPF/LWF, UCN5812AF/EPF, or UCN5818AF/EPF serial-to-parallel latched drivers.

Suffix 'A' devices are furnished in a standard 22-pin plastic DIP; suffix 'EP' indicates a 28-lead PLCC.

FEATURES

- To 4.4 MHz Date-Input Rate
- High-Voltage Source Outputs
- CMOS, NMOS, TTL Compatible Inputs
- Low-Power CMOS Latches
- Internal Pull-Down Resistors
- Wide Supply-Voltage Range

Always order by complete part number:

Part Number	Package
UCN5815A	22-Pin DIP
UCN5815EP	28-Lead PLCC

5815

BiMOS II

8-BIT LATCHED

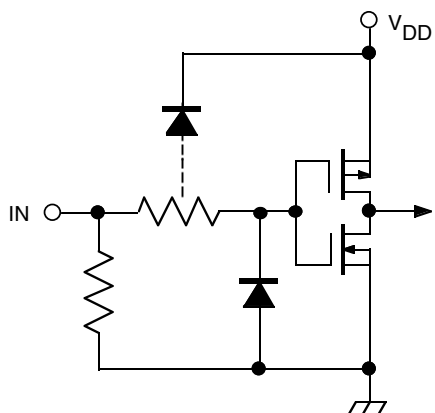
SOURCE DRIVERS

ELECTRICAL CHARACTERISTICS at $T_A = +25^\circ\text{C}$, $V_{BB} = 60\text{ V}$, $V_{DD} = 5\text{ V}$ and 12 V
(unless otherwise noted).

Characteristic	Symbol	Test Conditions	Limits		
			Min.	Max.	Units
Output Off Voltage	V_{OUT}		—	1.0	V
Output On Voltage	V_{OUT}	$I_{OUT} = -25\text{ mA}$, $V_{BB} = 60\text{ V}$	57.5	—	V
Output Pull-Down Current	I_{OUT}	$V_{OUT} = V_{BB}$	400	850	μA
Output Leakage Current	I_{OUT}	$T_A = 70^\circ\text{C}$	—	-15	μA
Input Voltage	$V_{IN(1)}$	$V_{DD} = 5.0\text{ V}$	3.5	5.3	V
		$V_{DD} = 12\text{ V}$	10.5	12.3	V
	$V_{IN(0)}$		-0.3	+0.8	V
Input Current	$I_{IN(1)}$	$V_{DD} = V_{IN} = 5.0\text{ V}$	—	100	μA
		$V_{DD} = V_{IN} = 12\text{ V}$	—	240	μA
Input Impedance	Z_{IN}	$V_{DD} = 5.0\text{ V}$	50	—	$\text{k}\Omega$
Supply Current	I_{BB}	All outputs on, All outputs open	—	10.5	mA
		All outputs off, All outputs open	—	100	μA
	I_{DD}	$V_{DD} = 5.0\text{ V}$, All outputs off, All inputs = 0 V	—	100	μA
		$V_{DD} = 12\text{ V}$, All outputs off, All inputs = 0 V	—	200	μA
		$V_{DD} = 5.0\text{ V}$, One output on, All inputs = 0 V	—	1.0	mA
		$V_{DD} = 12\text{ V}$, One output on, All inputs = 0 V	—	3.0	mA

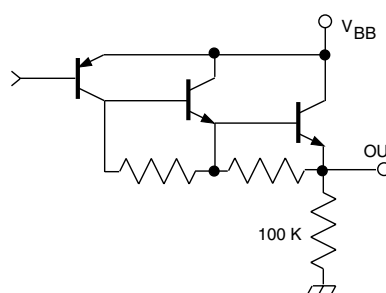
NOTE: Positive (negative) current is defined as going into (coming out of) the specified device pin.

**TYPICAL INPUT
CIRCUIT**



Dwg. No. EP-010-4A

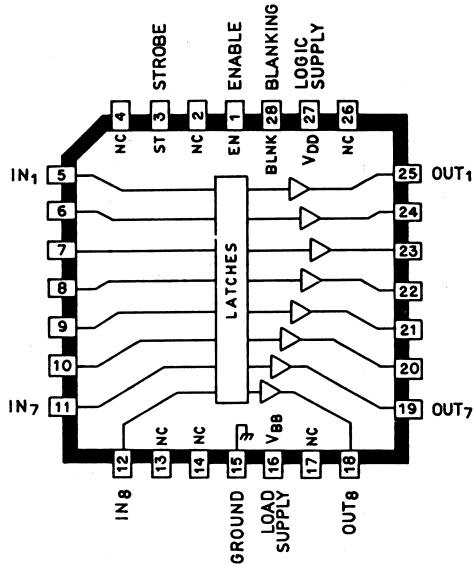
**TYPICAL OUTPUT
DRIVER**



Dwg. No. EP-021-3

5815 BiMOS II 8-BIT LATCHED SOURCE DRIVERS

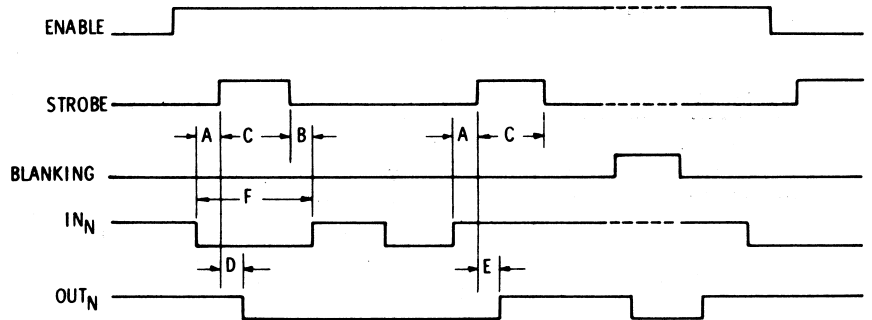
UCN5815EP



Dwg. No. A-14,357

Information present at an input is transferred to its latch when the STROBE and ENABLE are high. The latches will continue to accept new data as long as both STROBE and ENABLE are held high. With either STROBE or ENABLE in the low state, no information can be loaded into the latches.

When the BLANKING input is high, all of the output buffers are disabled (off) without affecting the information stored in the latches. With the BLANKING input low, the outputs are controlled by the state of the latches.



Dwg. No. A-10,991

TIMING CONDITIONS

($V_{DD} = 5\text{ V}$, $T_A = +25^\circ\text{C}$, Logic Levels are V_{DD} and Ground)

- A. Minimum Data Active Time Before Strobe Enabled (Data Set-Up Time) **50 ns**
- B. Minimum Data Active Time After Strobe Disabled (Data Hold Time) **50 ns**
- C. Minimum Strobe Pulse Width **125 ns**
- D. Typical Time Between Strobe Activation and Output ON to OFF Transition **5.0 μs**
- E. Typical Time Between Strobe Activation and Output OFF to ON Transition **500 ns**
- F. Minimum Data Pulse Width **225 ns**

Timing is representative of a 4.4 MHz data input rate. Higher speeds may be attainable with increased supply voltage; operation at high temperatures will reduce the specified maximum clock frequency.

TRUTH TABLE

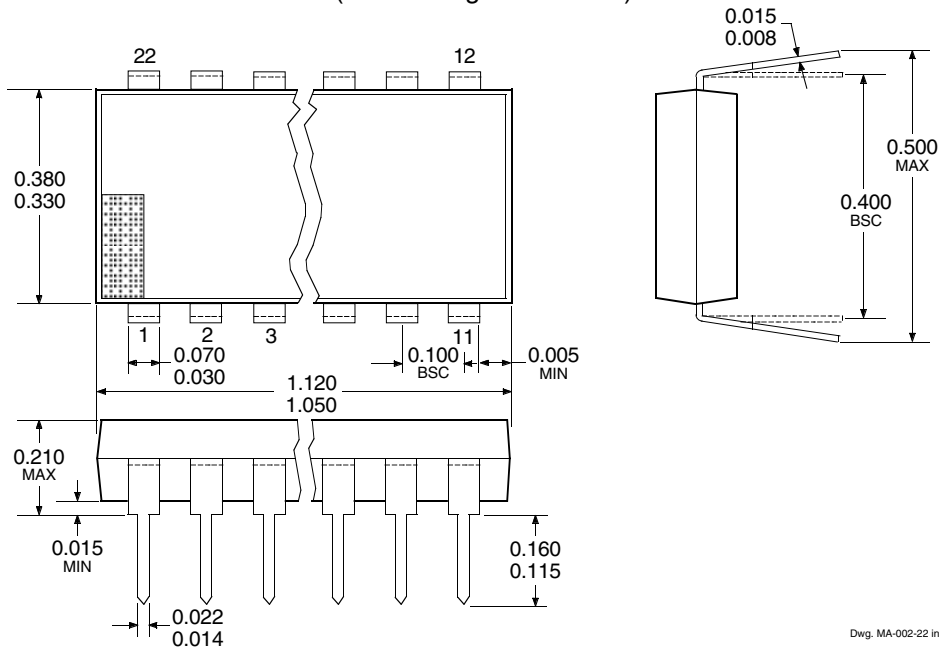
INPUTS				OUT _N	
IN _N	STROBE	ENABLE	BLANK	T-1	T
0	1	1	0	X	0
1	1	1	0	X	1
X	X	X	1	X	0
X	0	X	0	1	1
X	0	X	0	0	0
X	X	0	0	1	1
X	X	0	0	0	0

X = irrelevant
T-1 = previous output state
T = present output state

5815
BiMOS II
8-BIT LATCHED
SOURCE DRIVERS

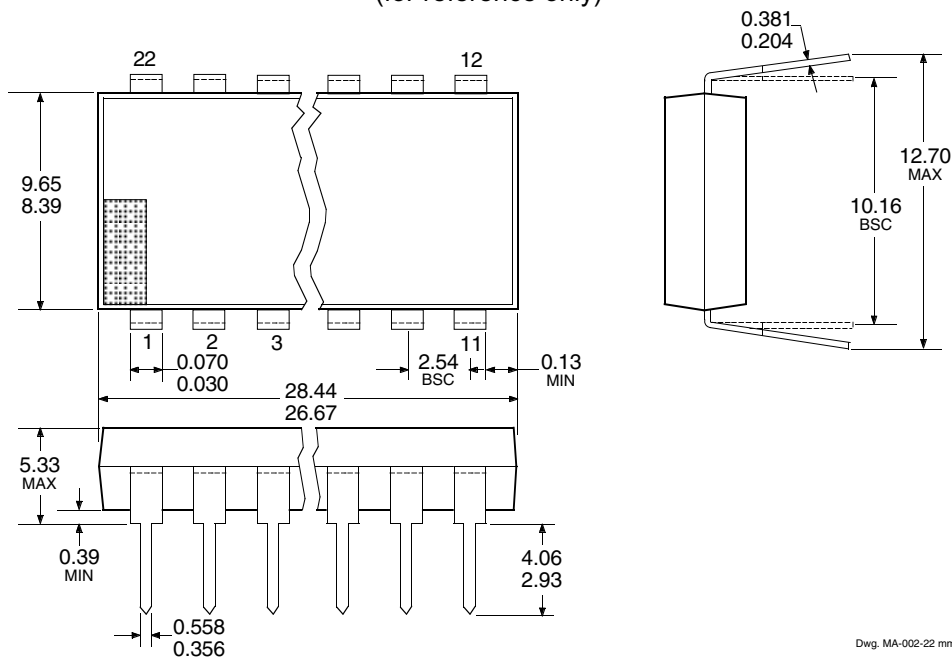
UCN5815A

Dimensions in Inches
 (controlling dimensions)



Dwg. MA-002-22 in

Dimensions in Millimeters
 (for reference only)

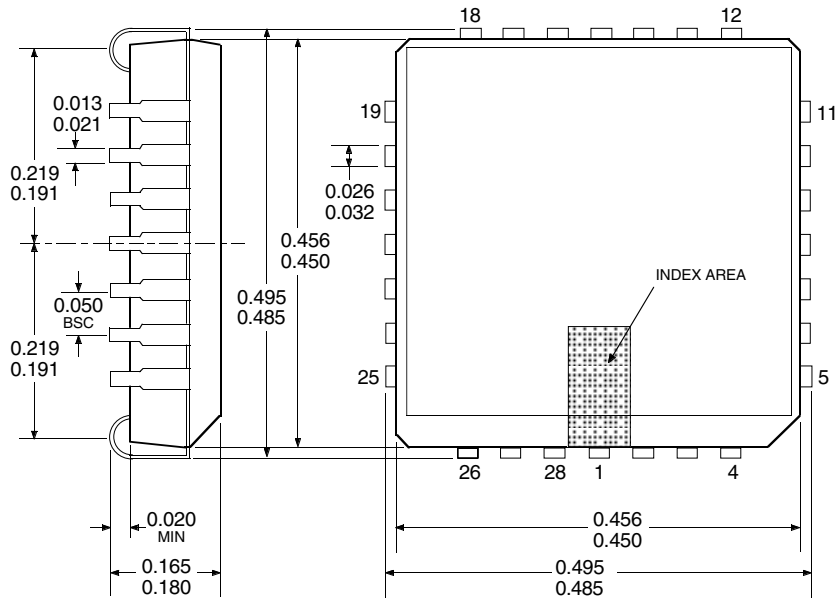


Dwg. MA-002-22 mm

- NOTES: 1. Exact body and lead configuration at vendor's option within limits shown.
 2. Lead spacing tolerance is non-cumulative.
 3. Lead thickness is measured at seating plane or below.
 4. Supplied in standard sticks/tubes of 17 devices.

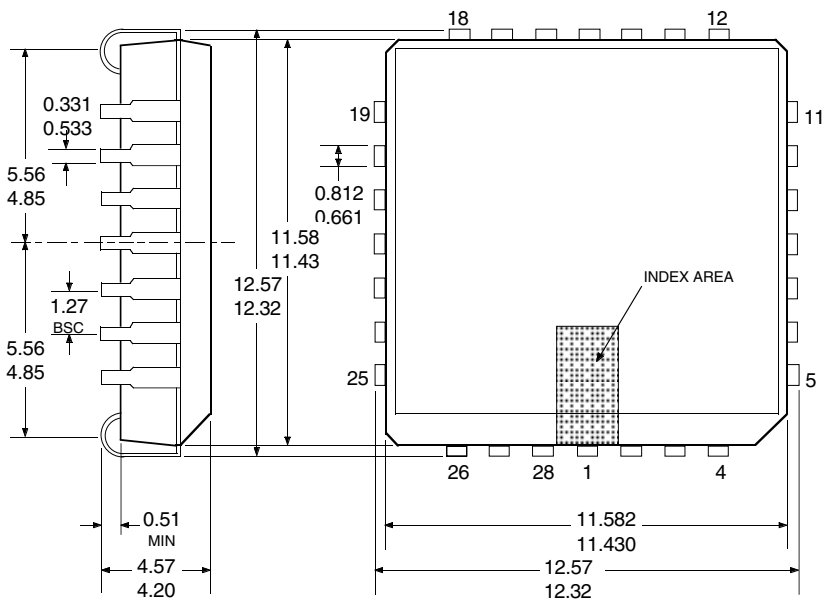
5815
BiMOS II
8-BIT LATCHED
SOURCE DRIVERS

UCN5815EP
 Dimensions in Inches
 (controlling dimensions)



Dwg. MA-005-28A in

Dimensions in Millimeters
 (for reference only)



Dwg. MA-005-28A mm

- NOTES: 1. Exact body and lead configuration at vendor's option within limits shown.
 2. Lead spacing tolerance is non-cumulative.
 3. Supplied in standard sticks/tubes of 38 devices or add "TR" to part number for tape and reel.

5815
BiMOS II
8-BIT LATCHED
SOURCE DRIVERS

POWER
INTERFACE DRIVERS

Function	Output Ratings*		Part Number†
SERIAL-INPUT LATCHED DRIVERS			
8-Bit (saturated drivers)	-120 mA	50 V‡	5895
8-Bit	350 mA	50 V	5821
8-Bit	350 mA	80 V	5822
8-Bit	350 mA	50 V‡	5841
8-Bit	350 mA	80 V‡	5842
8-Bit (constant-current LED driver)	75 mA	17 V	6275
8-Bit (DMOS drivers)	250 mA	50 V	6595
8-Bit (DMOS drivers)	350 mA	50 V‡	6A595
8-Bit (DMOS drivers)	100 mA	50 V	6B595
10-Bit (active pull-downs)	-25 mA	60 V	5810-F and 6809/10
12-Bit (active pull-downs)	-25 mA	60 V	5811 and 6811
16-Bit (constant-current LED driver)	75 mA	17 V	6276
20-Bit (active pull-downs)	-25 mA	60 V	5812-F and 6812
32-Bit (active pull-downs)	-25 mA	60 V	5818-F and 6818
32-Bit	100 mA	30 V	5833
32-Bit (saturated drivers)	100 mA	40 V	5832
PARALLEL-INPUT LATCHED DRIVERS			
4-Bit	350 mA	50 V‡	5800
8-Bit	-25 mA	60 V	5815
8-Bit	350 mA	50 V‡	5801
8-Bit (DMOS drivers)	100 mA	50 V	6B273
8-Bit (DMOS drivers)	250 mA	50 V	6273
SPECIAL-PURPOSE DEVICES			
Unipolar Stepper Motor Translator/Driver	1.25 A	50 V‡	5804
Addressable 8-Bit Decoder/DMOS Driver	250 mA	50 V	6259
Addressable 8-Bit Decoder/DMOS Driver	350 mA	50 V‡	6A259
Addressable 8-Bit Decoder/DMOS Driver	100 mA	50 V	6B259
Addressable 28-Line Decoder/Driver	450 mA	30 V	6817

* Current is maximum specified test condition, voltage is maximum rating. See specification for sustaining voltage limits. Negative current is defined as coming out of (sourcing) the output.

† Complete part number includes additional characters to indicate operating temperature range and package style.

‡ Internal transient-suppression diodes included for inductive-load protection.

