

PLEASE CHECK WWW.MOLEX.COM FOR LATEST PART INFORMATION

Part Number: [5035000991](#)
Status: **Active**
Description: 2.50mm (.098") Pitch SD Memory Card Connector, 2.95mm (.116") Height, Normal Mount, Push-Push, with Detect, Protect and Anti-Card-Fly-Out Features

Documents:

[3D Model](#) [Product Specification PS-503500-001 \(PDF\)](#)
[Drawing \(PDF\)](#) [RoHS Certificate of Compliance \(PDF\)](#)

General

Product Family	Memory Card Sockets
Series	503500
Button Type	Push-Push
Component Type	Header & Ejector (Host)
Product Name	SD Card
Type	N/A

Physical

Card Detection Switch	Yes
Circuits (Loaded)	9
Durability (mating cycles max)	10,000
Ejector Button Side	No Ejector Button Present
Entry Angle	90° Angle
Keying to Mating Part	Yes
Material - Metal	Copper Alloy, Stainless Steel
Material - Plating Mating	Gold
Material - Plating Termination	Gold, Tin
PCB Locator	No
PCB Mounting Side	Normal
PCB Retention	Yes
Packaging Type	Embossed Tape on Reel
Pitch - Mating Interface (in)	0.098 In
Pitch - Mating Interface (mm)	2.50 mm
Ports	1
Temperature Range - Operating	-25°C to +85°C
Termination Interface: Style	Surface Mount

Electrical

Current - Maximum per Contact	0.5A
Shielded	Yes
Voltage - Maximum	50V AC (RMS)/DC

Material Info

Reference - Drawing Numbers

Packaging Specification	SPK-503500-001
Product Specification	PS-503500-001, RPS-503500-001
Sales Drawing	SD-503500-001, SD-503500-002

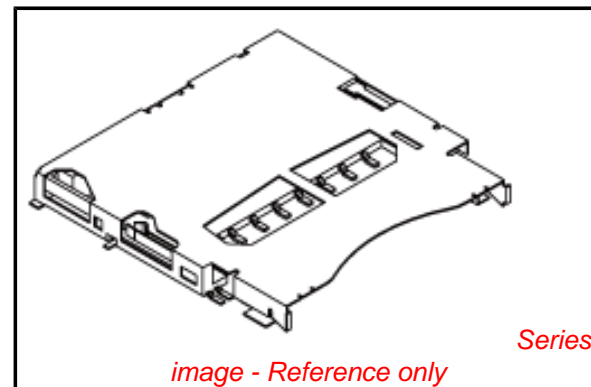


image - Reference only

EU RoHS

**ELV and RoHS
Compliant**
REACH SVHC
 Not Reviewed
**Halogen-Free
Status**
 Not Reviewed

China RoHS



**Need more information on product
environmental compliance?**

Email productcompliance@molex.com
 For a multiple part number RoHS Certificate of Compliance, [click here](#)

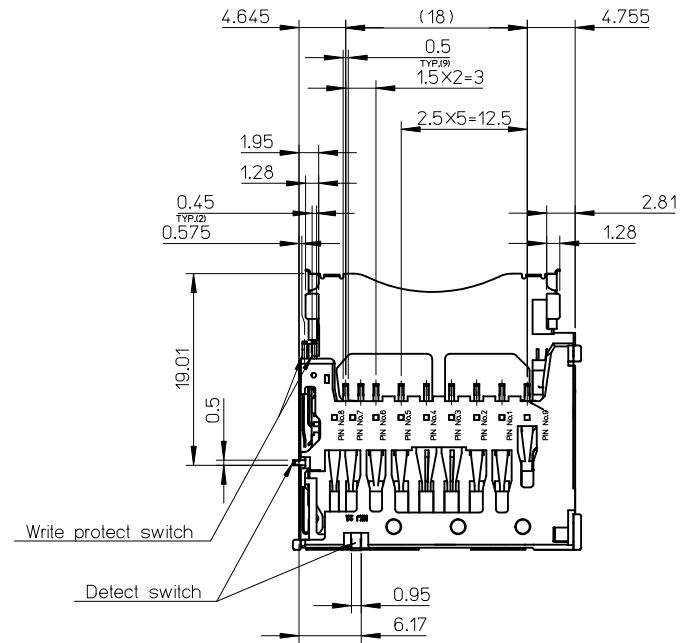
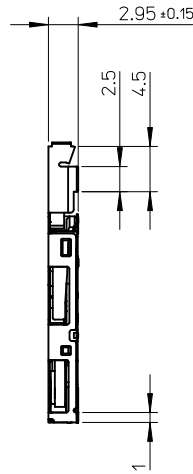
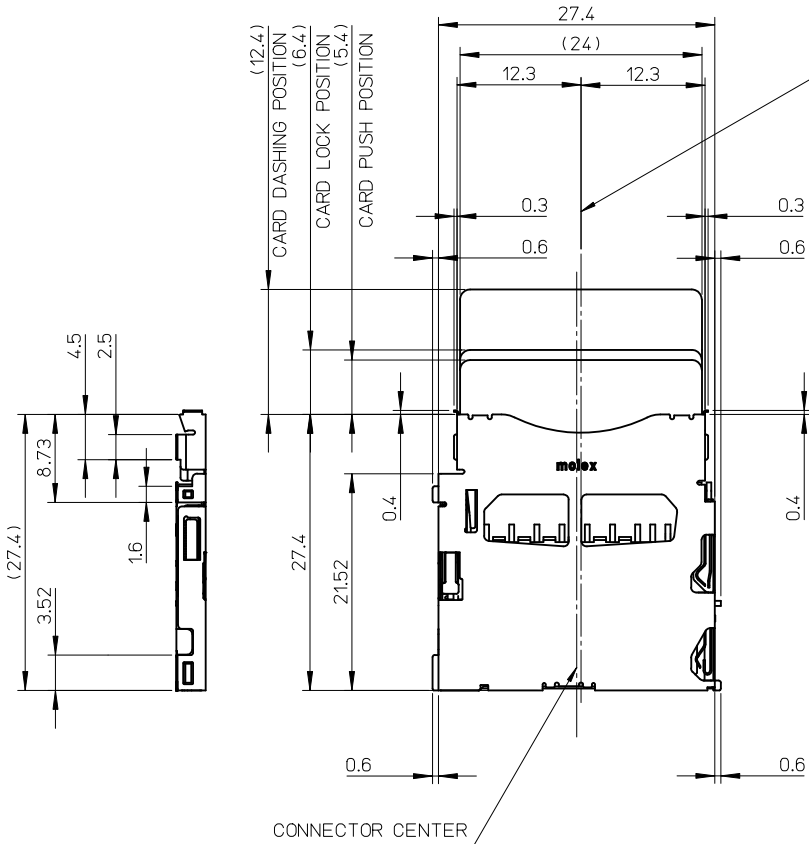
Please visit the [Contact Us](#) section for any non-product compliance questions.

Search Parts in this Series

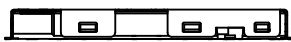
[503500Series](#)

Use With

SD Card



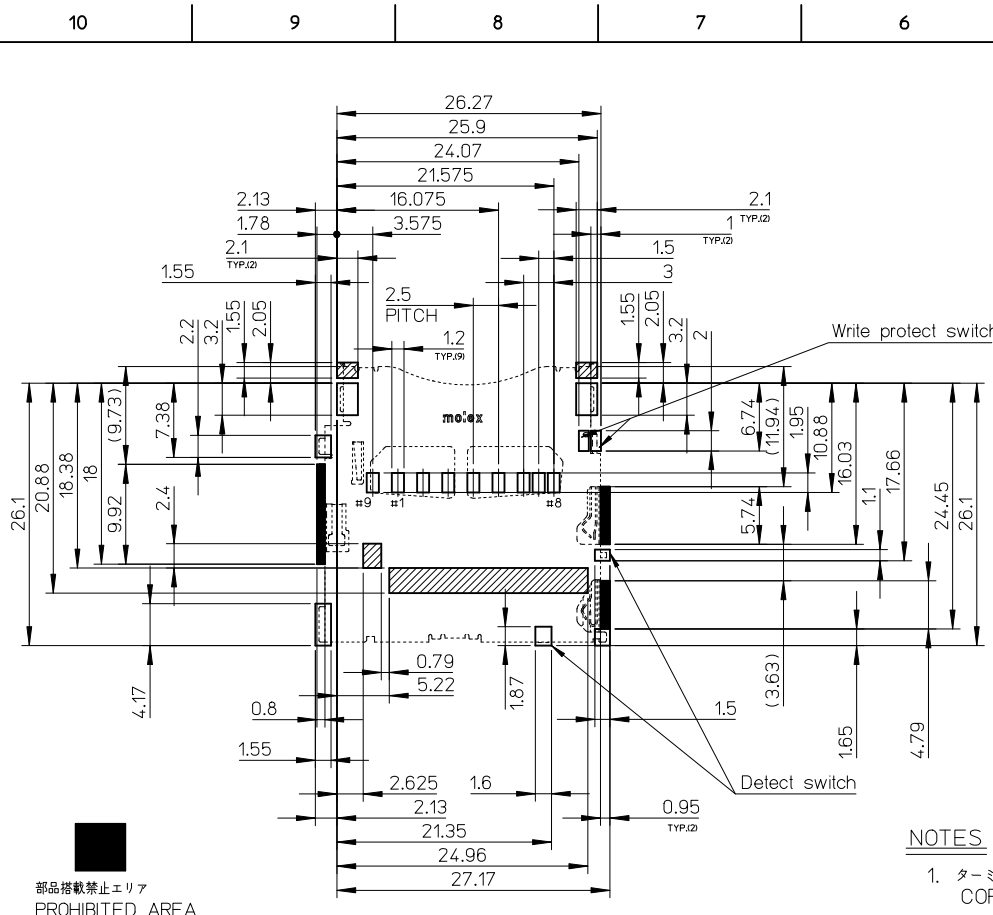
503500-0991	9
EMBOSSED TAPE	極数
ORDER No. オーダー番号	CIRCUITS
CONNECTOR SERIES NO. 503500-***11	



REVISED EC NO: J2010-1552 DRWN: YNAITO 2010/02/01 CHKD: MTOMITA 2010/02/01 APPR: NUKITA 2010/02/01	GENERAL TOLERANCES (UNLESS SPECIFIED)		DIMENSION STYLE MM ONLY	SCALE 2:1	DESIGN UNITS METRIC	THIRD ANGLE PROJECTION
	10 UNDER	± 0.2	DRAWN BY YNAITO	DATE 2009/09/11	TITLE SD CARD CONN.PUSH/PUSH NORMAL ASSY	
	10 OVER 30 UNDER	± 0.25	CHECKED BY MTOMITA	DATE 2009/09/11	MOLEX INCORPORATED	
	30 OVER	± 0.3	APPROVED BY NUKITA	DATE 2009/09/11	DOCUMENT NO. SD-503500-001	SHEET NO. 1 OF 2
DESCRIPTION B	ANGULAR ± 1 °	DRAFT WHERE APPLICABLE MUST REMAIN WITHIN DIMENSIONS		SEE CHART		
REV	MATERIAL NO.			THIS DRAWING CONTAINS INFORMATION THAT IS PROPRIETARY TO MOLEX INCORPORATED AND SHOULD NOT BE USED WITHOUT WRITTEN PERMISSION		

番号 No.	名称 NAME	材料 MATERIAL
①	ハウジング HOUSING	耐熱樹脂 HEAT RESISTANCE POLYMER
②	ターミナル TERMINAL	銅合金、接点部：金めっき 半田付部：錫めっき 下地：ニッケルめっき COPPER ALLOY, CONTACT AREA:GOLD TAIL AREA:TIN UNDER PLATING:NICKEL
③	メタルシェル METAL SHELL	銅合金 COPPER ALLOY
④	カムスライダー CAM SLIDER	耐熱樹脂 HEAT RESISTANCE POLYMER
⑤	ディテクトスイッチ DETECT SWITCH	銅合金、接点部：金めっき 半田付部：金めっき 下地：ニッケルめっき COPPER ALLOY, CONTACT AREA:GOLD TAIL AREA:GOLD UNDER PLATING:NICKEL
⑥	ライトプロテクト スイッチ WRITE PROTECT SWITCH	銅合金、接点部：金めっき 半田付部：錫めっき 下地：ニッケルめっき COPPER ALLOY, CONTACT AREA:GOLD TAIL AREA:TIN UNDER PLATING:NICKEL
⑦	スプリング SPRING	ピアノ線 SWP
⑧	カムピン CAM PIN	ステンレス鋼 STAINLESS STEEL

CONFIDENTIAL



部品搭載禁止エリア
PROHIBITED AREA

パターン禁止エリア
PATTERN PROHIBITION AREA
注：コネクタ投影面上の半田付けは禁止

RECOMMENDED
PCB PATTERN LAYOUT
(GENERAL TOLERANCE : ±0.05)

NOTES

- ターミナル及びネイルの平坦度は0.1MAX.とする。
COPLANARITY OF TERMINAL AND NAIL IS TO BE 0.1MAX.
- ロット印字は任意とする
LOT NUMBERING IS TO BE OPTIONAL.
- 肉抜き位置は任意とする。
CAVITY IS TO BE OPTIONAL.
- 本製品の側面にはカード挿抜時に一部金属が突出する箇所があります。
該当箇所は部品搭載禁止エリアとなりますので、ご注意ください。
There are the places that the part of metal stands out at the side of the connector when the card insertion .The area is prohibited to place the other parts.

6. ELV及びRoHS適合品
ELV AND RoHS COMPLIANT.

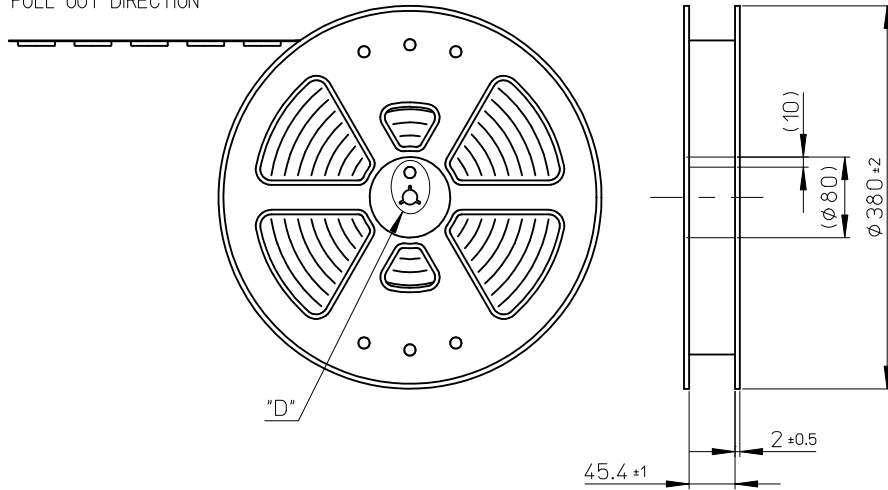
ロットNo. : 9 07 0 7 0
西暦(1桁目) MONTH 7 : 7月
THE YEAR OF GRACE 10 : 10月
9 : 2009年 DAY 07 : 07日
ラインNo. LINE No.

2.各スイッチのオープン/クローズ
OPENING/CLOSE OF EACH SWITCH

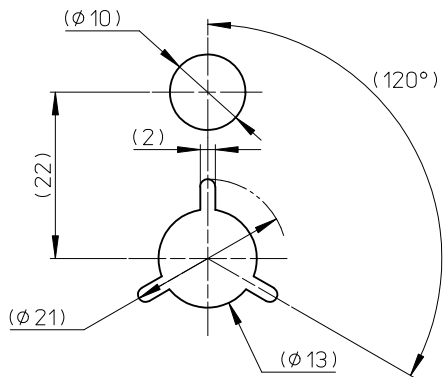
	プロテクトターミナル PROTECT TERMINAL		ディテクトターミナル DETECT TERMINAL
	カード書き込み 禁止状態 WRITE PROTECT POSITION	カード書き込み 可能状態 WRITE ENABLE POSITION	
カード未装着状態 CARD UNINSERTION	オープン OPEN	オープン OPEN	オープン OPEN
カード装着 AFTER CARD INSERTION	オープン OPEN	クローズ CLOSE	クローズ CLOSE

SEE SHEET 1 OF 2 EC NO. J2010-1552 DRWN:YNAITO 2010/02/01 CHKD:MTOMITA 2010/02/01 APPR:NUKITA 2010/02/01	GENERAL TOLERANCES (UNLESS SPECIFIED)		DIMENSION STYLE MM ONLY		SCALE 2:1	DESIGN UNITS METRIC	THIRD ANGLE PROJECTION
	10 UNDER	±0.2	DRAWN BY YNAITO	DATE 2009/09/11	TITLE SD CARD CONN.PUSH/PUSH NORMAL ASSY		
	10 OVER 30 UNDER	±0.25	CHECKED BY MTOMITA	DATE 2009/09/11	MOLEX INCORPORATED		
	30 OVER	±0.3	APPROVED BY NUKITA	DATE 2009/09/11	DOCUMENT NO. SD-503500-001	SHEET NO. 2 OF 2	
	ANGULAR ±1°	DRAFT WHERE APPLICABLE MUST REMAIN WITHIN DIMENSIONS		THIS DRAWING CONTAINS INFORMATION THAT IS PROPRIETARY TO MOLEX INCORPORATED AND SHOULD NOT BE USED WITHOUT WRITTEN PERMISSION			

引き出し方向
PULL OUT DIRECTION



"D"



DETAIL "D"

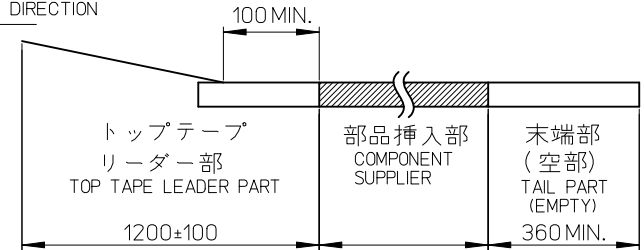
NOTES

1. 製品詳細寸法については、SD 図面を参照下さい。
RE DETAILED DIMENSION, SEE SALES DRAWING.

2. 梱包数量 : 500 個/リール
NUMBER OF CONNECTORS : 500 PCS/REEL.

3. リードテープ長さ LEAD TAPE LENGTH.
トップテープ接着部
TOP TAPE BONDED PART.
(空エンボス)
(EMPTY)

引き出し方向
PULL OUT DIRECTION



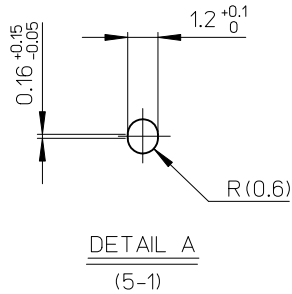
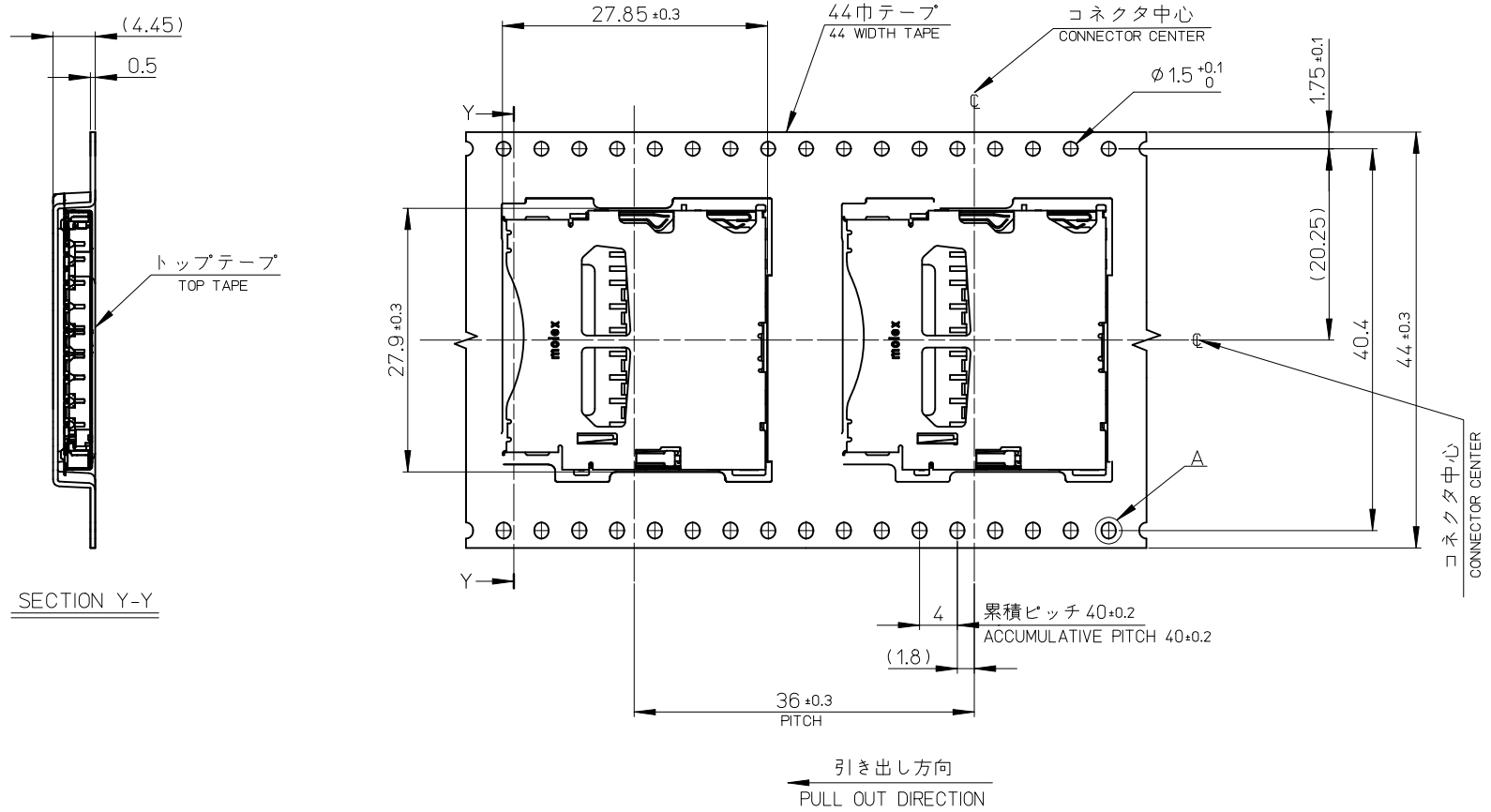
4. 材料 MATERIAL

キャリアテープ (CARRIER TAPE) : ポリスチレン (POLYSTYRENE)
トップテープ (TOP TAPE) : PET, PE, PEF
リール (REEL) : ポリスチレン (PS) <リサイクル材含む>
POLYSTYRENE (PS) <RECYCLE MATERIAL CONTAINED>

5. ELV 及び RoHS 適合品。
ELV AND RoHS COMPLIANT

503500-0991	9
EMBOSSED TAPE	極数
ORDER No. オーダー番号	CIRCUITS
CONNECTOR SERIES NO. 503500-***11	

REVISED EC NO: J2010-1616 DRWN:YNAITO 2010/02/05 CHKD:MTOMITA 2010/02/08 APPR:NUKITA 2010/02/08	GENERAL TOLERANCES (UNLESS SPECIFIED)		DIMENSION STYLE MM ONLY	SCALE 4:1	DESIGN UNITS METRIC	THIRD ANGLE PROJECTION
	10 UNDER	±0.2	DRAWN BY YNAITO	DATE 09/12/25	TITLE SD CARD CONN. NORMAL PUSH/PUSH EMBOSSED TAPE PACKAGE	
	10 OVER 30 UNDER	±0.25	CHECKED BY MTOMITA	DATE 09/12/25	MOLEX INCORPORATED	
	30 OVER	±0.3	APPROVED BY NUKITA	DATE 09/12/25	MATERIAL NO.	DOCUMENT NO.
B	DESCRIPTION	ANGULAR ±1 °	SEE CHART		SD-503500-002	
		DRAFT WHERE APPLICABLE MUST REMAIN WITHIN DIMENSIONS	THIS DRAWING CONTAINS INFORMATION THAT IS PROPRIETARY TO MOLEX INCORPORATED AND SHOULD NOT BE USED WITHOUT WRITTEN PERMISSION		1 OF 2	



SEE SHEET 1 OF 2 EC NO.: J2010-1616 DRWN: YNAITO 2010/02/05 CHKD: MTOMITA 2010/02/08 APPR: NUKITA 2010/02/08	GENERAL TOLERANCES (UNLESS SPECIFIED)		DIMENSION STYLE MM ONLY	SCALE 4:1	DESIGN UNITS METRIC	THIRD ANGLE PROJECTION	
	10 UNDER	±0.2	DRAWN BY YNAITO	DATE 09/12/25	TITLE SD CARD CONN. NORMAL PUSH/PUSH EMBOSSED TAPE PACKAGE		
	10 OVER 30 UNDER	±0.25	CHECKED BY MTOMITA	DATE 09/12/25	MOLEX INCORPORATED		
	30 OVER	±0.3	APPROVED BY NUKITA	DATE 09/12/25	MATERIAL NO. SEE SHEET 1 OF 2	DOCUMENT NO. SD-503500-002	SHEET NO. 2 OF 2
ANGULAR	±1 °	DRAFT WHERE APPLICABLE MUST REMAIN WITHIN DIMENSIONS					
SIZE A3	THIS DRAWING CONTAINS INFORMATION THAT IS PROPRIETARY TO MOLEX INCORPORATED AND SHOULD NOT BE USED WITHOUT WRITTEN PERMISSION						