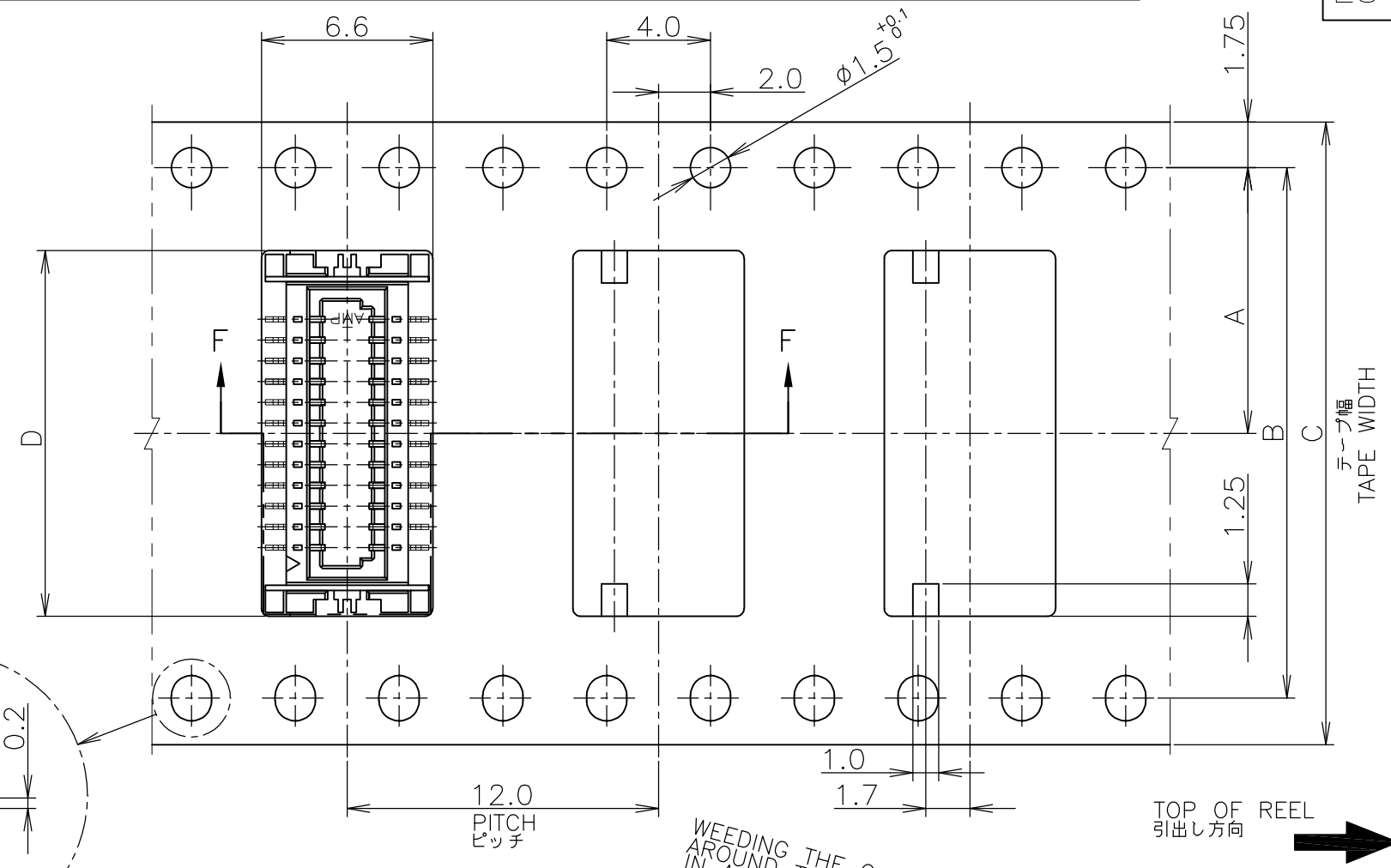
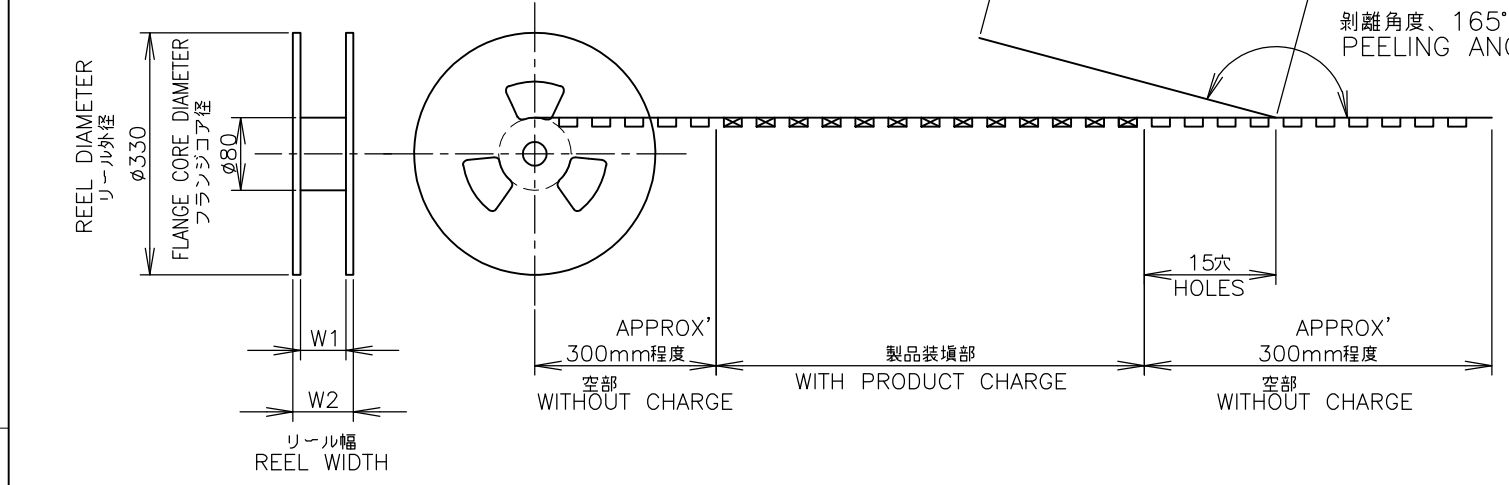
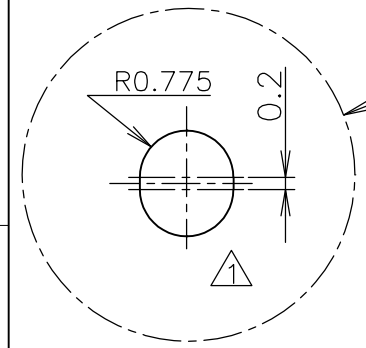
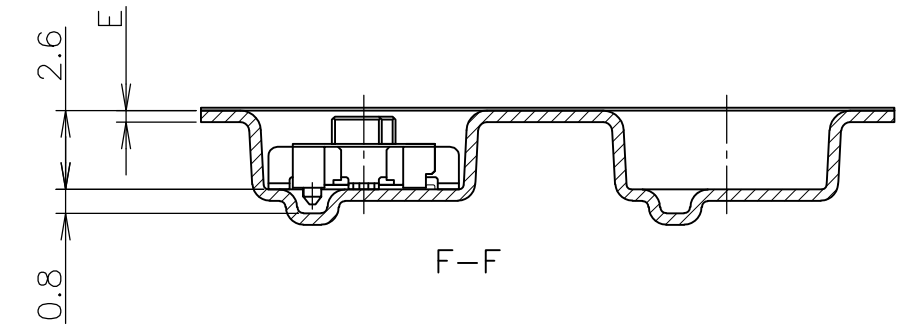


THIS DRAWING IS UNPUBLISHED. RELEASED FOR PUBLICATION FEB, 1994.  
 © COPYRIGHT 1994 By - ALL RIGHTS RESERVED.

LOC	DIST	REVISIONS					
ES		P	LTR	DESCRIPTION	DATE	DWN	APVD
		H	REVIS	ECR-07-019218	14AUG07	T.T	T.F
		H2	REVIS	PER ECR-11-005694	27OCT11	B.L	S.Y



△ 指示穴は40極品以上に適用。  
 △ THESE HOLES ARE APPLIED TO 40 POS OR MORE.



② OBSOLETE	49.5	45.5	0.38	24.5	44	40.4	20.2	1500	50	5-179396-0
	37.5	33.5	↑	20.5	32	28.4	14.2	↑	40	4- ↑ -0
	↑	↑		16.5	↑	---	↑		30	3- ↑ -0
	29.5	25.5		14.1	24	---	11.5		24	2- ↑ -4
	↑	↑		10.9	↑	---	↑		16	1- ↑ -6
	21.5	17.5	0.38	10.1	↑	---			14	1- ↑ -4
	22.4	16.4	0.4	9.3	16	---	7.5	1500	12	1-179396-2
	W2	W1	E	D	C	B	A	数量 (ヶ) QTY/REEL	極数 POS	リール巻コネクタ型番 TAPING P/N

INSTRUCTION SHEET  
 取扱説明書  
 411-5654

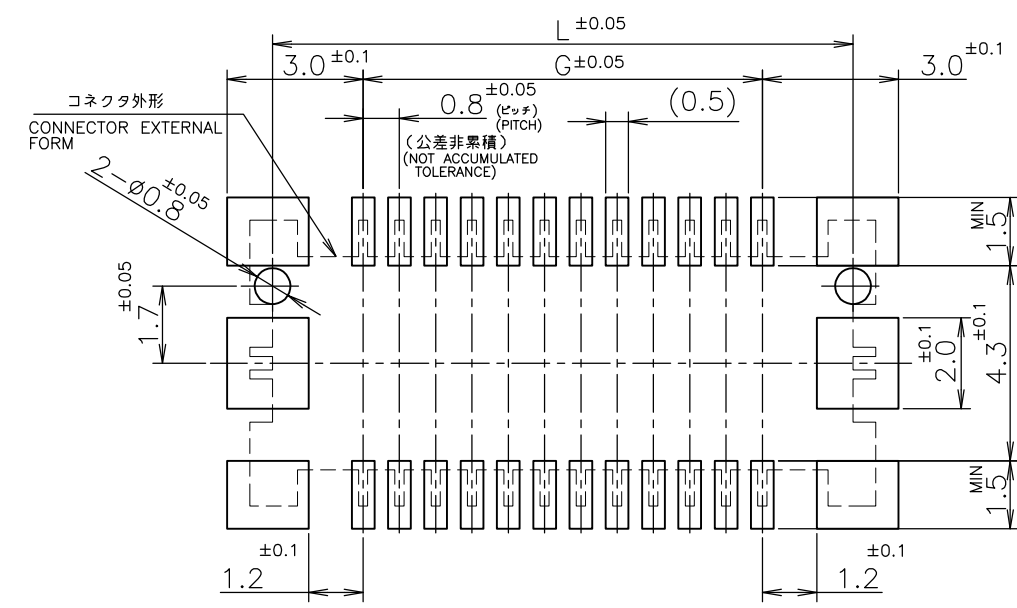
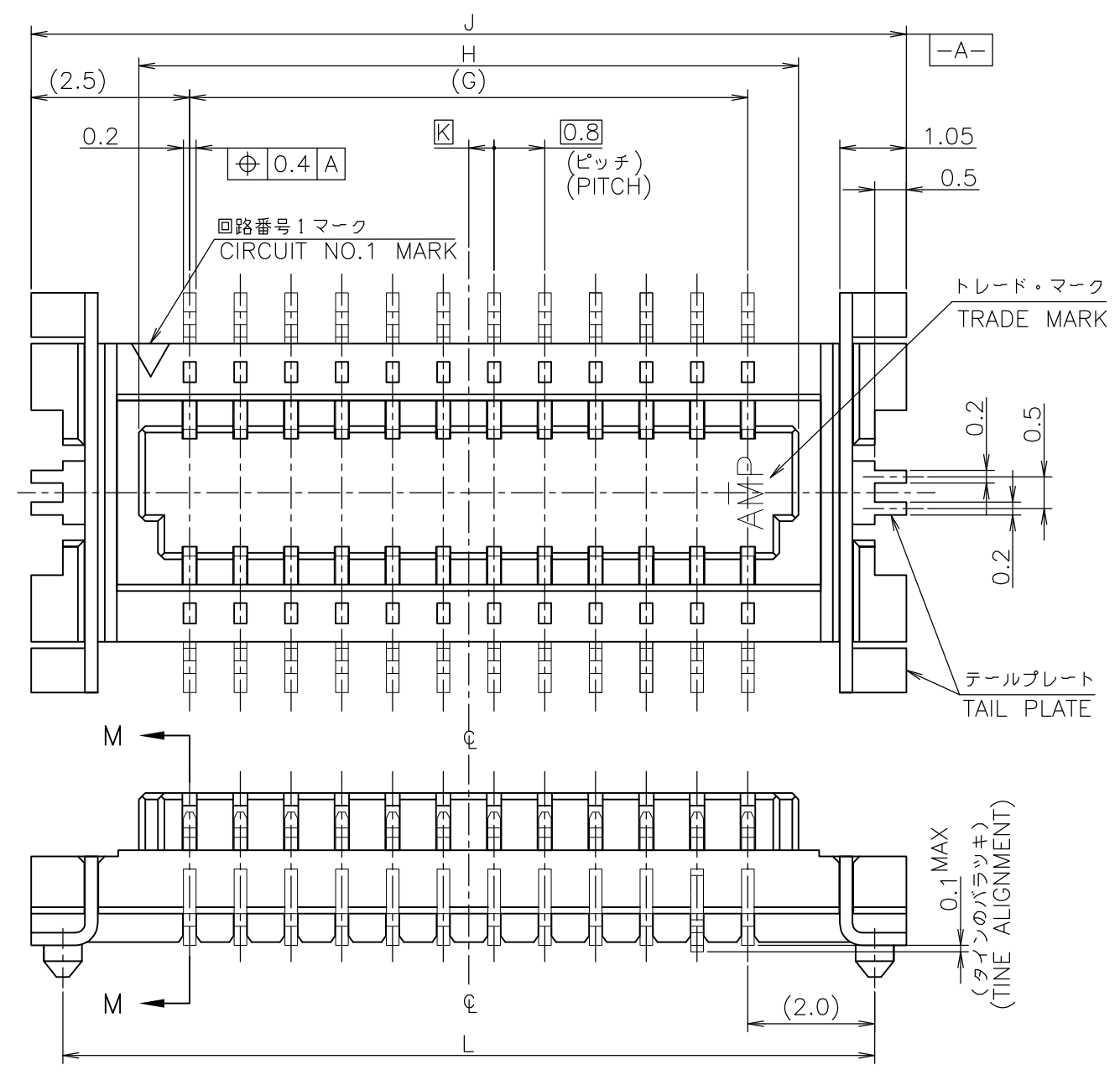
THIS DRAWING IS A CONTROLLED DOCUMENT.

DIMENSIONS: 単位: 耗 mm	TOLERANCES UNLESS OTHERWISE SPECIFIED: 一般公差	DWN K.ASAKAWA 24FEB94	TE Connectivity																							
<table border="1"> <tr><td>0 PLC</td><td>± 0.2</td></tr> <tr><td>1 PLC</td><td>± 0.2</td></tr> <tr><td>2 PLC</td><td>± 0.2</td></tr> <tr><td>3 PLC</td><td>± 0.2</td></tr> <tr><td>4 PLC</td><td>± 0.2</td></tr> <tr><td>ANGLES</td><td>± 3'</td></tr> </table>	0 PLC	± 0.2		1 PLC	± 0.2	2 PLC	± 0.2	3 PLC	± 0.2	4 PLC	± 0.2	ANGLES	± 3'	<table border="1"> <tr><td>CHK</td><td>S.KUBOUCHI</td><td>24FEB94</td></tr> <tr><td>APVD</td><td>S.KUBOUCHI</td><td>01NOV96</td></tr> <tr><td>PRODUCT SPEC</td><td>製品規格</td><td>108-5424</td></tr> <tr><td>APPLICATION SPEC</td><td>取付適用規格</td><td></td></tr> </table>	CHK	S.KUBOUCHI	24FEB94	APVD	S.KUBOUCHI	01NOV96	PRODUCT SPEC	製品規格	108-5424	APPLICATION SPEC	取付適用規格	
0 PLC	± 0.2																									
1 PLC	± 0.2																									
2 PLC	± 0.2																									
3 PLC	± 0.2																									
4 PLC	± 0.2																									
ANGLES	± 3'																									
CHK	S.KUBOUCHI	24FEB94																								
APVD	S.KUBOUCHI	01NOV96																								
PRODUCT SPEC	製品規格	108-5424																								
APPLICATION SPEC	取付適用規格																									
MATERIAL 材料	FINISH 仕上	WEIGHT	SIZE A3 CAGE CODE 00779 DRAWING NO 番号 C-179396 RESTRICTED TO 番号																							

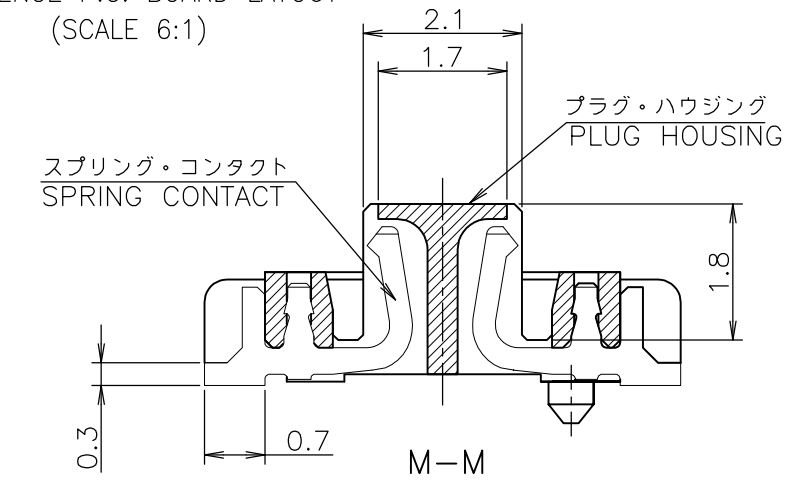
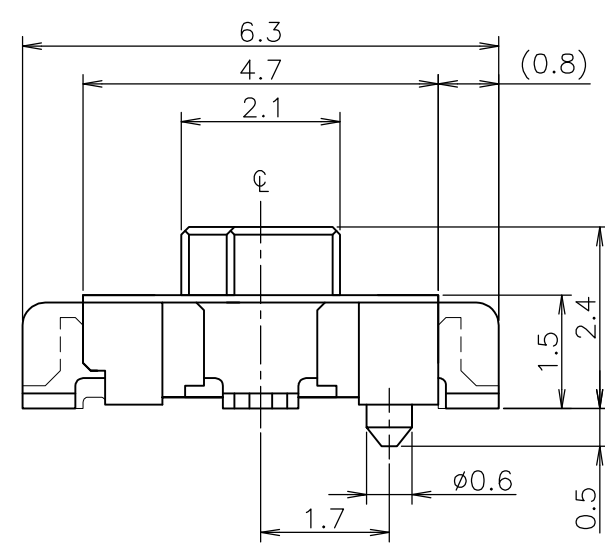
CUSTOMER DRAWING SCALE 4:1 SHEET 1 OF 2 REV H2

THIS DRAWING IS UNPUBLISHED. RELEASED FOR PUBLICATION FEB, 1994.  
 © COPYRIGHT 1994 By - ALL RIGHTS RESERVED.

LOC	DIST	REVISIONS			DATE	DWN	APVD
		P	LTR	DESCRIPTION			
ES		-		SEE SHEET 1	-	-	-



参考基板加工寸法 (t=0.6 MIN.)  
 REFERENCE P.C. BOARD LAYOUT (SCALE 6:1)



△ 材料: ハウジング - 6T NYLON (高耐熱性ナイロン)  
 ガラス30%, 色: ベージュ  
 コンタクト - 燐青銅・錫めっき(0.2t)  
 テールプレート - 燐青銅・錫めっき(0.2t)

△ MATERIAL: HOUSING - 6T NYLON (HIGH HEAT-RESISTED NYLON), GF30%,  
 COLOR: BEIGE.  
 CONTACT - POST-TIN/PHOS-BROZ(0.2t)  
 TAIL PLATE - POST-TIN/PHOS-BROZ(0.2t)

0.410	23.2	---	24.2	20.75	19.2	50
-0.340	19.2	0.4	20.2	16.75	15.2	40
0.270	15.2	---	16.2	12.75	11.2	30
0.228	12.8	0.4	13.8	10.35	8.8	24
0.172	9.6	0.4	10.6	7.15	5.6	16
0.158	8.8	---	9.8	6.35	4.8	14
0.144	8.0	0.4	9.0	5.55	4.0	12
重量(g) WEIGHT	L	K	J	H	G	極数 POS

THIS DRAWING IS A CONTROLLED DOCUMENT.

DIMENSIONS: 単位: 耗 mm

TOLERANCES UNLESS OTHERWISE SPECIFIED: 一般公差

0 PLC	$\pm 0.2$
1 PLC	$\pm 0.2$
2 PLC	$\pm 0.2$
3 PLC	$\pm 0.2$
4 PLC	$\pm 0.2$
ANGLES	$\pm 3'$

MATERIAL 材料 SEE NOTE △ 注 △ 参照

FINISH 仕上 SEE NOTE △ 注 △ 参照

DWN  
CHK  
APVD  
PRODUCT SPEC 製品規格  
APPLICATION SPEC 取付適用規格  
WEIGHT

**STE** TE Connectivity

NAME 名称 ON TAPING EMBOSS PLUG ASSEMBLY WITH BOSS  
 0.8mm PITCH BOARD TO BOARD CONNECTOR  
 MATING HEIGHT 3.0mm

SIZE A3 CAGE CODE 00779 DRAWING NO. 番号 G-179396 RESTRICTED TO

CUSTOMER DRAWING SCALE 尺度 10:1 SHEET 2 OF 2 REV H2