



**P/N: 40ST1024X DATA SHEET**

**Feature**



- IEEE 802.3 Ethernet compatible.
- 100 Base-TX Surface mountable.
- Design for dual-port repeater and Ethernet switching HUB application.
- Customer designs available for specific application.
- Operating temperature range :0°C to +70°C.
- Storage temperature range: -25°C to +125°C.

**Electrical Specifications @ 25°C**

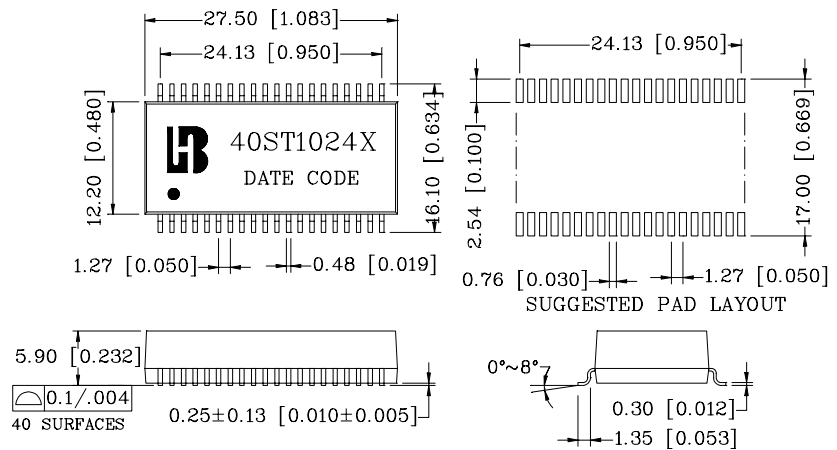
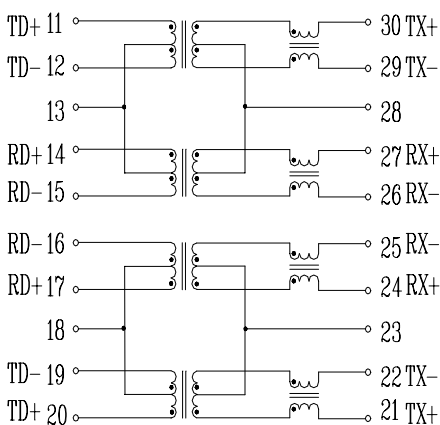
Part Number	Turns Ratio (±5%)		OCL(uH Min) @100KHz/0.1V with 8mA DC Bias	L.L (uH Max)	C <sub>WW</sub> (pF Max)	Rise Time (nS Typ)	HI-POT (Vrms)
	TX	RX					
40ST1024X	1CT:1CT	1CT:1CT	350	0.4	56	3.0	1500

**Continue**

Part Number	Insertion Loss (dB Max)	Return Loss (dB Min)			Cross talk (dB Min)		DCMR (dB Min)		
		0.3-100MHz	0.3-30MHz	30-60MHz	60-80MHz	0.3-60MHz	60-100MHz	60MHz	100MHz
40ST1024X	-1.15	-16	-12	-10	-40	-35	-37	-28	-25

**Schematic**

**Mechanical**



Units: mm[Inches] Tolerance: xx.x0±0.25[0.010]  
0.xx±0.05[0.002]