

# PE3501

**3500 MHz Low Power UltraCMOS™ Divide-by-2 Prescaler**

### Features

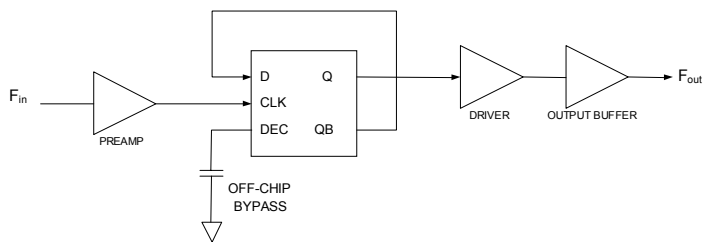
- High-frequency operation: 400 MHz to 3500 MHz
- Fixed divide ratio of 2
- Low-power operation: 12 mA typical @ 3 V
- Small package: 8-lead TSSOP
- Low cost

### Product Description

The PE3501 is a high-performance dynamic UltraCMOS™ prescaler with a fixed divide ratio of 2. Its operating frequency range is 400 MHz to 3.5 GHz. The PE3501 operates on a nominal 3 V supply and draws only 12 mA. It is packaged in a small 8-lead TSSOP and is ideal for frequency scaling and microwave PLL synthesis solutions.

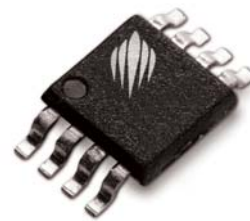
The PE3501 is manufactured on Peregrine's UltraCMOS™ process, a patented variation of silicon-on-insulator (SOI) technology on a sapphire substrate, offering the performance of GaAs with the economy and integration of conventional CMOS.

**Figure 1. Functional Schematic Diagram**



**Figure 2. Package Type**

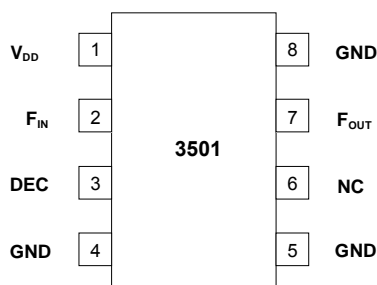
8-lead TSSOP



**Table 1. Electrical Specifications** ( $Z_S = Z_L = 50 \Omega$ )

$V_{DD} = 3.0 \text{ V}$ ,  $-40^\circ \text{ C} \leq T_A \leq 85^\circ \text{ C}$ , unless otherwise specified

Parameter	Conditions	Minimum	Typical	Maximum	Units
Supply Voltage		2.85	3.0	3.15	V
Supply Current			12	15	mA
Input Frequency ( $F_{in}$ )		400		3500	MHz
Input Power ( $P_{in}$ )	$400 \text{ MHz} \leq F_{in} \leq 3000 \text{ MHz}$	-10		+10	dBm
	$3000 \text{ MHz} < F_{in} \leq 3500 \text{ MHz}$	0		+10	dBm
Output Power ( $P_{out}$ )	$400 \text{ MHz} \leq F_{in} \leq 3000 \text{ MHz}$	-10			dBm
	$3000 \text{ MHz} < F_{in} \leq 3500 \text{ MHz}$	-15			dBm

**Figure 3. Pin Configuration (Top View)**

**Table 2. Pin Descriptions**

Pin No.	Pin Name	Description
1	V <sub>DD</sub>	Power supply pin. Bypassing is required.
2	F <sub>in</sub>	Input signal pin. DC blocking capacitor required (15 pF typical)
3	DEC	Power supply decoupling pin. Place a capacitor as close as possible and connect directly to the ground plane.
4	GND	Ground pin. Ground pattern on the board should be as wide as possible to reduce ground impedance.
5	GND	Ground pin.
6	NC	No Connection. This pin should be left open.
7	F <sub>out</sub>	Divided frequency output pin. DC blocking capacitor required (47 pF typical)
8	GND	Ground pin.

**Table 3. Absolute Maximum Ratings**

Symbol	Parameter/Conditions	Min	Max	Units
V <sub>DD</sub>	Supply voltage		4.0	V
P <sub>in</sub>	Input Power		15	dBm
T <sub>ST</sub>	Storage temperature range	-65	150	°C
T <sub>OP</sub>	Operating temperature range	-40	85	°C
V <sub>ESD</sub>	ESD voltage (Human Body Model)		250	V

Absolute Maximum Ratings are those values listed in the above table. Exceeding these values may cause permanent device damage. Exposure to absolute maximum ratings for extended periods may affect device reliability.

### Electrostatic Discharge (ESD) Precautions

When handling this UltraCMOS™ device, observe the same precautions that you would use with other ESD-sensitive devices. Although this device contains circuitry to protect it from damage due to ESD, precautions should be taken to avoid exceeding the rating specified in Table 3.

### Latch-Up Avoidance

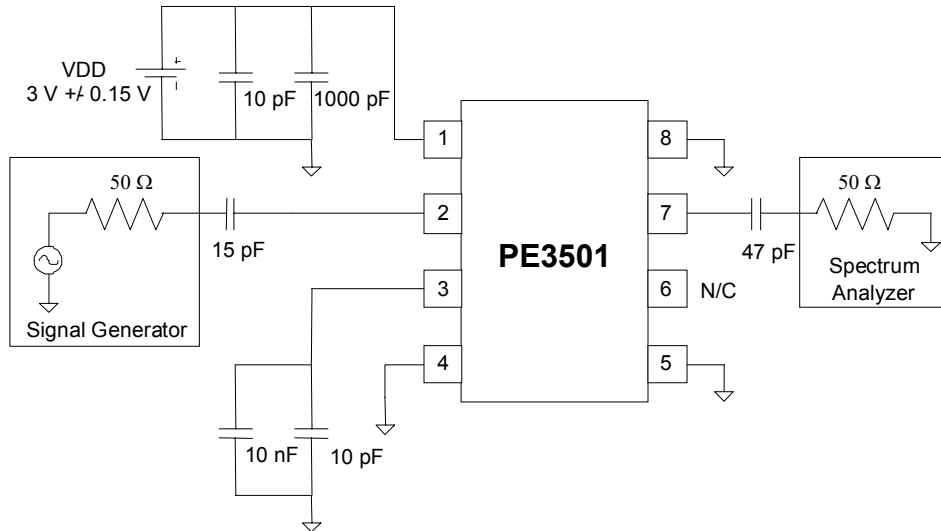
Unlike conventional CMOS devices, UltraCMOS™ devices are immune to latch-up.

### Device Functional Considerations

The PE3501 divides a 400 MHz to 3500 MHz input signal by two, producing a 200 MHz to 1750 MHz output signal. To work properly, pin 3 must be supplied with a bypass capacitor to ground. In addition, the input and output signals (pins 2 & 7) must be AC coupled via an external capacitor, as shown in the test circuit in Figure 4.

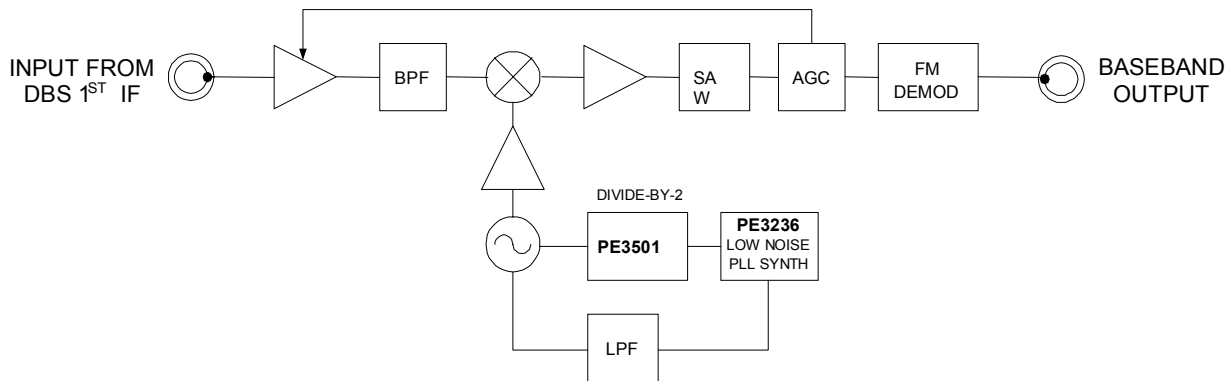
The ground pattern on the board should be made as wide as possible to minimize ground impedance. See Figure 11 for a layout example.

**Figure 4. Test Circuit Block Diagram**



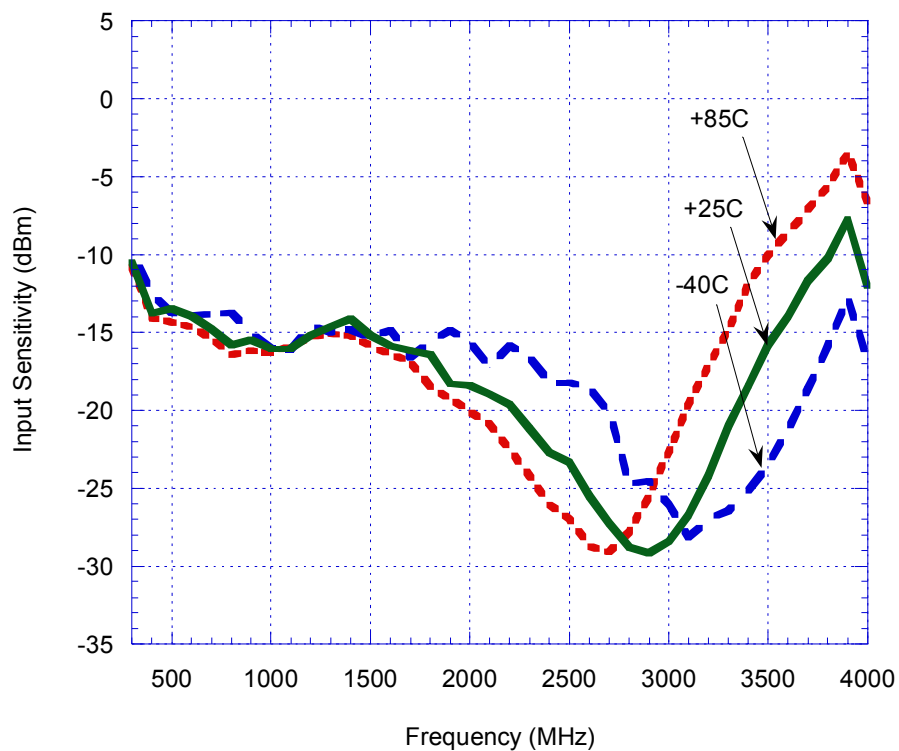
**Figure 5. High Frequency System Application**

The wideband frequency of operation of the PE3501 makes it an ideal part for use in a DBS down-converter system.

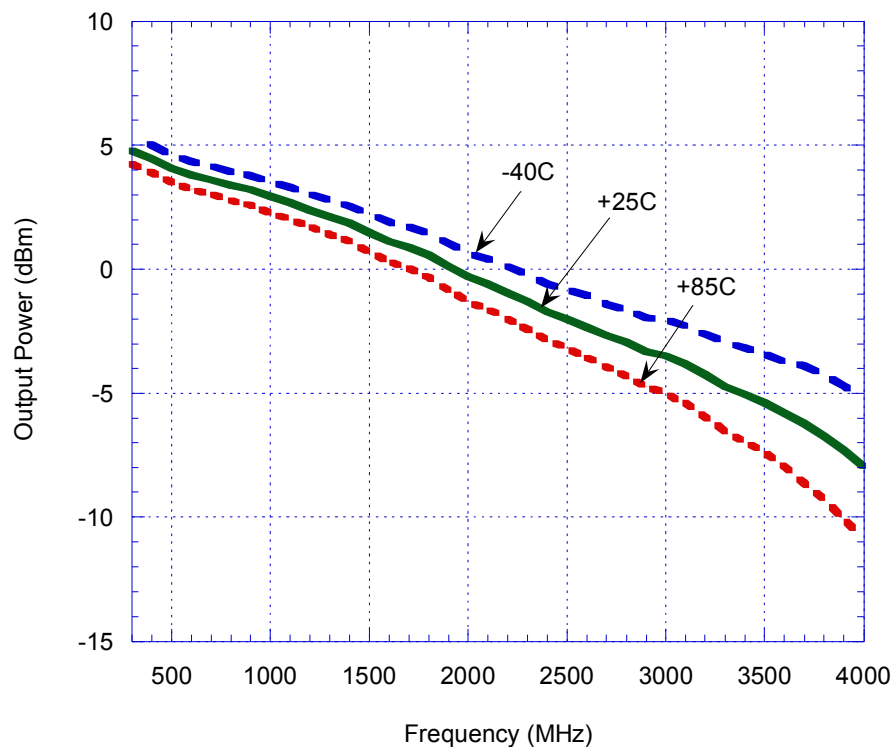


**Typical Performance Data**

**Figure 6. Input Sensitivity**



**Figure 7. Output Power**



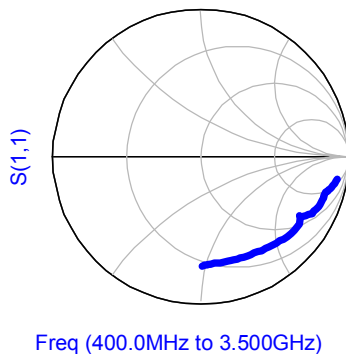
**Table 4. S11**

Input Freq (GHz)	S11 Magnitude (dB)	S11 Angle (deg)
0.4	-0.5523	-9.337
0.5	-0.6707	-11.253
0.6	-0.806	-13.193
0.7	-0.9642	-14.8
0.8	-1.109	-15.929
0.9	-1.1263	-17.103
1.0	-1.152	-18.594
1.1	-1.1703	-20.722
1.2	-1.2353	-22.915
1.3	-1.4078	-25.66
1.4	-1.6207	-28.199
1.5	-1.8965	-30.249
1.6	-2.1032	-31.079
1.7	-1.9731	-32.514
1.8	-1.8229	-36.258
1.9	-1.8517	-40.604
2.0	-2.0308	-44.918
2.1	-2.1353	-48.91
2.2	-2.2884	-53.156
2.3	-2.397	-56.979
2.4	-2.4811	-61.184
2.5	-2.5498	-64.955
2.6	-2.6367	-68.656
2.7	-2.655	-72.265
2.8	-2.7216	-75.379
2.9	-2.691	-78.326
3.0	-2.6813	-80.734
3.1	-2.6933	-82.87
3.2	-2.6638	-84.784
3.3	-2.6461	-86.468
3.4	-2.6266	-87.788
3.5	-2.5917	-89.118

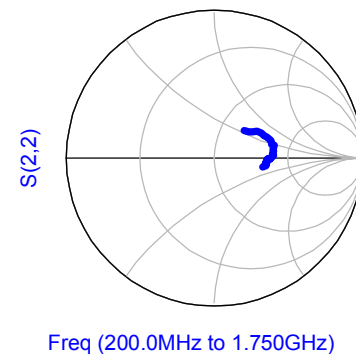
**Table 5. S22**

Output Freq (GHz)	S22 Magnitude (dB)	S22 Angle (deg)
0.20	-8.7615	26.726
0.25	-8.2705	21.393
0.30	-7.7885	16.647
0.35	-7.6058	10.297
0.40	-7.7922	6.2004
0.45	-8.2309	2.4335
0.50	-8.5583	-0.3158
0.55	-8.8751	-0.2458
0.60	-8.8599	-3.0515
0.65	-9.1496	-2.6752
0.70	-8.8648	-6.0631
0.75	-9.0828	-5.7925
0.80	-9.2022	-6.8019
0.85	-9.2727	-9.3617
0.90	-9.6494	-12.806
0.95	-9.4383	-14.454
1.00	-9.5217	-16.286
1.05	-9.6043	-19.118
1.10	-9.7282	-23.597
1.15	-9.8069	-25.461
1.20	-9.8221	-29.038
1.25	-9.8694	-32.629
1.30	-9.8693	-34.669
1.35	-9.8667	-40.785
1.40	-9.8509	-43.139
1.45	-9.9141	-46.745
1.50	-9.7063	-51.695
1.55	-9.8686	-54.805
1.60	-9.4836	-56.589
1.65	-9.4498	-62.744
1.70	-9.3233	-66.237
1.75	-9.2206	-66.07

**Figure 8. S11 vs. Input Frequency ( $V_{DD} = 3\text{ V}$ )**



**Figure 9. S22 vs. Output Frequency ( $V_{DD} = 3\text{ V}$ )**



## Evaluation Kit

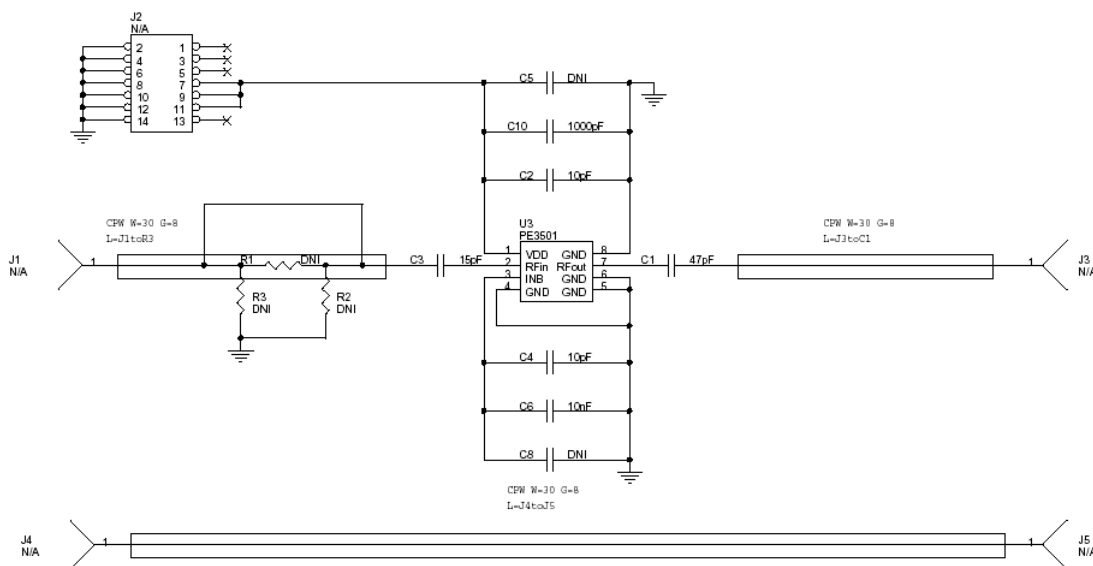
### Evaluation Kit Operation

The TSSOP Prescaler Evaluation Board was designed to help customers evaluate the PE3501 Divide-by-2 Prescaler. On this board, the device input (pin 2) is connected to connector J1 through a 50 Ω transmission line. A series capacitor (C1) provides the necessary DC block for the device input. It is important to note that the value of this capacitance will impact the performance of the device. A value of 15 pF was found to be optimal for this board layout; other applications may require a different value.

The device output (pin 7) is connected to connector J3 through a 50 Ω transmission line. A series capacitor (C2) provides the necessary DC block for the device output. Note that this capacitor must be chosen to have a low impedance at the desired output frequency of the device. The value of 47 pF was chosen to provide a wide operating range for the evaluation board.

The board is constructed of a two-layer FR4 material with a total thickness of 0.031". The bottom layer provides ground for the RF transmission lines. The transmission lines were designed using a coplanar waveguide above ground plane model with trace width of 0.030", trace gaps of 0.007", dielectric thickness of 0.028", metal thickness of 0.0014" and  $\epsilon_r$  of 4.4. Note that the predominate mode for these transmission lines is coplanar waveguide.

J2 provides DC power to the device. Starting from the lower left pin, the second pin to the right (J2-3) is connected to the device  $V_{DD}$  pin (1). Two decoupling capacitors (10 pF, 1000 pF) are included on this trace.



It is the responsibility of the customer to determine proper supply decoupling for their design application.

The DEC pin (3) must be connected to a low impedance AC ground for proper device operation. On the board, two decoupling capacitors (C6 = 10 nF, C4 = 10 pF), located on the back of the board, perform this function.

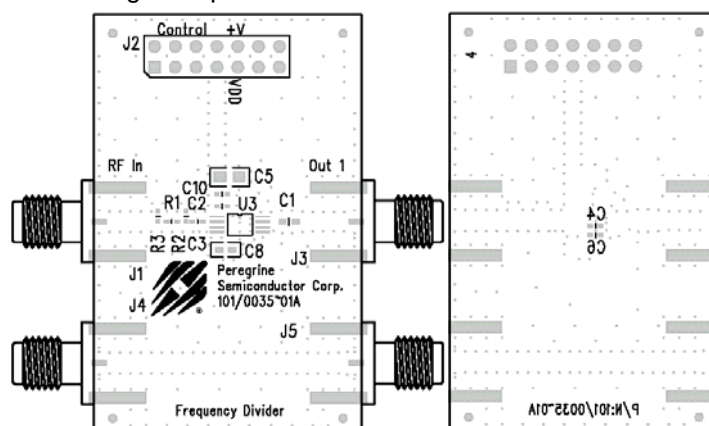
### Applications Support

If you have a problem with your evaluation kit or if you have applications questions, please contact applications support:

E-Mail: [help@psemi.com](mailto:help@psemi.com) (fastest response)  
Phone: (858) 731-9400

### Figure 10. Evaluation Board Layouts

Peregrine Specification 101/0035

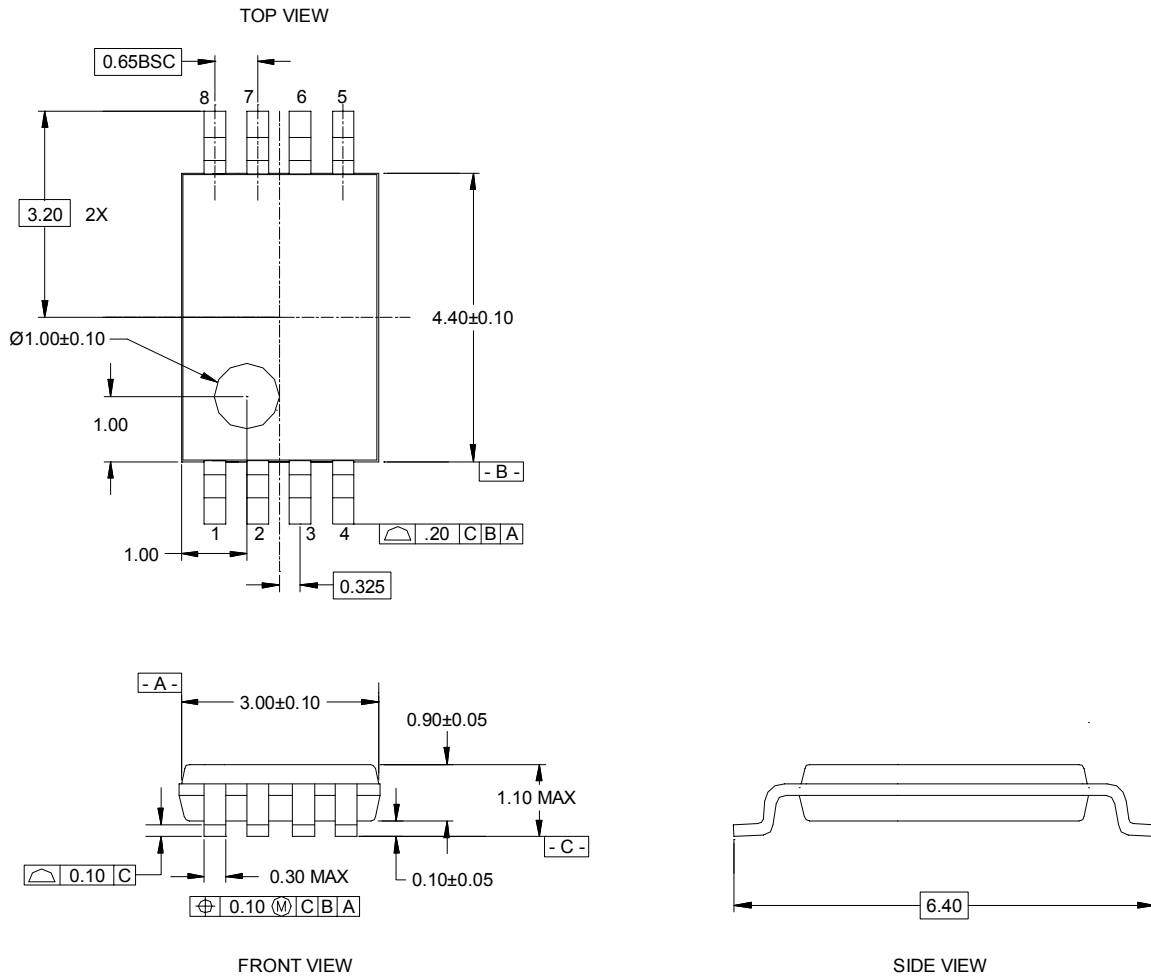


### Figure 11. Evaluation Board Schematic

Peregrine Specification 102/0013

**Figure 12. Package Drawing**

8-lead TSSOP



**Table 4. Ordering Information**

Order Code	Part Marking	Description	Package	Shipping Method
3501-11	PE3501	PE3501-08TSSOP-100A	8-lead TSSOP	100 units / Tube
3501-12	PE3501	PE3501-08TSSOP-2000C	8-lead TSSOP	2000 units / T&R
3501-00	PE3501-EK	PE3501-08TSSOP-EK	Evaluation Board	1 / Box

## Sales Offices

### *The Americas*

#### **Peregrine Semiconductor Corp.**

9450 Carroll Park Drive  
San Diego, CA 92121  
Tel 858-731-9400  
Fax 858-731-9499

### *Europe*

#### **Peregrine Semiconductor Europe**

##### **Commercial Products:**

Bâtiment Maine  
13-15 rue des Quatre Vents  
F- 92380 Garches, France  
Tel: +33-1-47-41-91-73  
Fax : +33-1-47-41-91-73

##### **Space and Defense Products:**

180 Rue Jean de Guiramand  
13852 Aix-En-Provence cedex 3, France  
Tel: +33(0) 4 4239 3361  
Fax: +33(0) 4 4239 7227

### *North Asia Pacific*

#### **Peregrine Semiconductor K.K.**

5A-5, 5F Imperial Tower  
1-1-1 Uchisaiwaicho, Chiyoda-ku  
Tokyo 100-0011 Japan  
Tel: +81-3-3501-5211  
Fax: +81-3-3501-5213

### *South Asia Pacific*

#### **Peregrine Semiconductor**

28G, Times Square,  
No. 500 Zhangyang Road,  
Shanghai, 200122, P.R. China  
Tel: +86-21-5836-8276  
Fax: +86-21-5836-7652

For a list of representatives in your area, please refer to our Web site at: [www.psemi.com](http://www.psemi.com)

## Data Sheet Identification

### **Advance Information**

The product is in a formative or design stage. The data sheet contains design target specifications for product development. Specifications and features may change in any manner without notice.

### **Preliminary Specification**

The data sheet contains preliminary data. Additional data may be added at a later date. Peregrine reserves the right to change specifications at any time without notice in order to supply the best possible product.

### **Product Specification**

The data sheet contains final data. In the event Peregrine decides to change the specifications, Peregrine will notify customers of the intended changes by issuing a DCN (Document Change Notice).

The information in this data sheet is believed to be reliable. However, Peregrine assumes no liability for the use of this information. Use shall be entirely at the user's own risk.

No patent rights or licenses to any circuits described in this data sheet are implied or granted to any third party.

Peregrine's products are not designed or intended for use in devices or systems intended for surgical implant, or in other applications intended to support or sustain life, or in any application in which the failure of the Peregrine product could create a situation in which personal injury or death might occur. Peregrine assumes no liability for damages, including consequential or incidental damages, arising out of the use of its products in such applications.

The Peregrine name, logo, and UTSi are registered trademarks and UltraCMOS is a trademark of Peregrine Semiconductor Corp.