



**ALL NEW PRODUCTS!**

**NO O-RING REQUIRED!**



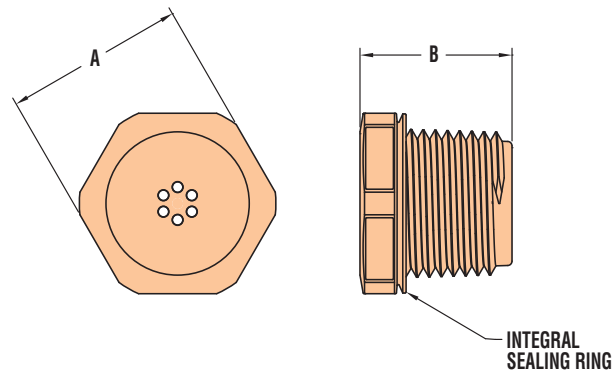
# HEYClean™ Liquid Tight Threaded Vent Plugs

With Integral Sealing Ring and Liquid Tight Filter

- Integral sealing ring ensures a **superior seal** at mounting hole location, every time; **IP 65, IP 67 and IP 68 Rated**.
- Allow the passage of air for ventilation and heat dissipation, yet prevent moisture intrusion.
- Maximum airflow:  $\geq 16.6$  LPM/ $3.7\text{cm}^2$  @ 13.5 psi.
- Filter membrane prevents moisture and particulate contamination in electronic enclosures.
- Pressure compensating seal prevents buildup of pressure inside of electronic enclosures due to environmental temperature cycling.
- Quick and easy installation into Threaded Holes.
- Membrane seal is ultrasonically welded to nylon body.
- Lower cost option over brass or steel plugs.
- Non-corrosive-resist salt water, weak acids, gasoline, alcohol, oil, grease and common solvents. Resist oil and heat up to 221°F (105°C).
- Approximate Head Thickness: .21" (5,3 mm). Thickness may vary.
- Hex shaped head for wrench installation.
- Electrically non-conductive Nylon 6/6.

THREAD Type/Size	PART NO.		DESCRIPTION	PART DIMENSIONS			
	Black	Gray		A Wrenching Flats in. mm.		B Overall Length in. mm.	
<b>NPT</b>							
NPT 1/4	<b>3544VB</b>	<b>3544V</b>	LTTVP NPT 1/4	.63	16,0	.66	16,8
NPT 3/8	<b>3545VB</b>	<b>3545V</b>	LTTVP NPT 3/8	.83	21,0	.69	17,5
NPT 1/2	<b>3546VB</b>	<b>3546V</b>	LTTVP NPT 1/2	.98	24,9	.81	20,6
NPT 3/4	<b>3547VB*</b>	<b>3547V*</b>	LTTVP NPT 3/4	1.29	32,8	.86	21,8
<b>PG - For PG Thread specifications, see page 3-37 in Heyco's Catalog 113</b>							
Pg 7	<b>3574VB</b>	<b>3574V</b>	LTTVP Pg 7	.63	16,0	.53	13,5
Pg 9	<b>3575VB</b>	<b>3575V</b>	LTTVP Pg 9	.83	21,0	.53	13,5
Pg 13.5	<b>3576VB</b>	<b>3576V</b>	LTTVP Pg 13.5	.98	24,9	.62	15,8
Pg 21	<b>3401VB</b>	<b>3401V</b>	LTTVP Pg 21	1.29	32,8	.76	19,3
<b>Metric</b>							
M12	<b>3582VB</b>	<b>3582V</b>	LTTVP M12	.63	16,0	.53	13,5
M16	<b>3583VB</b>	<b>3583V</b>	LTTVP M16	.83	21,0	.53	13,5
M20	<b>3584VB</b>	<b>3584V</b>	LTTVP M20	.98	24,9	.62	15,8

Standard color Black. Consult Heyco for other colors.  
\*IP 65 rated.



*Quick Specs*

<b>Material</b>	Nylon 6/6 bodies with an Acrylic Copolymer Filter
<b>Flammability Rating</b>	94V-2
<b>Temperature Rating</b>	-40°F (-40°C) to 221°F (105°C)
<b>IP Rating</b>	IP 65/67/68