

TO-92MOD Plastic-Encapsulate Transistors

2SA966 TRANSISTOR (PNP)

FEATURE

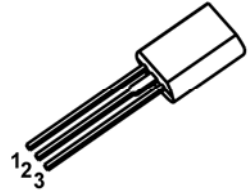
- Complementary to 2SC2236 and 3 Watts output Applications.

MAXIMUM RATINGS (T_a=25°C unless otherwise noted)

Symbol	Parameter	Value	Unit
V _{CBO}	Collector-Base Voltage	-30	V
V _{CEO}	Collector-Emitter Voltage	-30	V
V _{EBO}	Emitter-Base Voltage	-5	V
I _C	Collector Current -Continuous	-1.5	A
P _c	Collector Power Dissipation	0.9	W
T _J	Junction Temperature	150	°C
T _{stg}	Storage Temperature	-55-150	°C

TO-92MOD

1. EMITTER
2. COLLECTOR
3. BASE



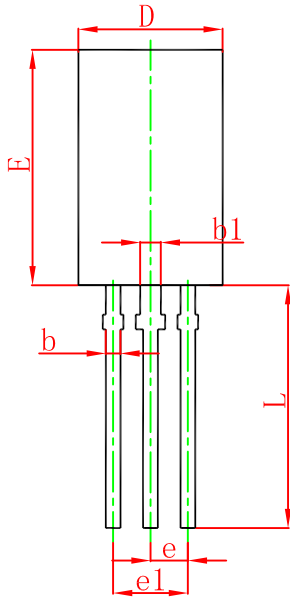
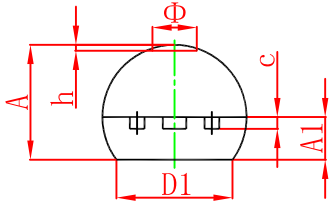
ELECTRICAL CHARACTERISTICS (T_a=25°C unless otherwise specified)

Parameter	Symbol	Test conditions	Min	Typ	Max	Unit
Collector-base breakdown voltage	V(BR) _{CBO}	I _C = -1mA, I _E =0	-30			V
Collector-emitter breakdown voltage	V(BR) _{CEO}	I _C = -10mA, I _B =0	-30			V
Emitter-base breakdown voltage	V(BR) _{EBO}	I _E = -1mA, I _C =0	-5			V
Collector cut-off current	I _{CBO}	V _{CB} = -30V, I _E =0			-0.1	μA
Emitter cut-off current	I _{EBO}	V _{EB} = -5V, I _C =0			-0.1	μA
DC current gain	h _{FE}	V _{CE} =-2V, I _C = -500mA	100		320	
Collector-emitter saturation voltage	V _{CE(sat)}	I _C = -1.5 A, I _B = -0.03A			-2	V
Base-emitter voltage	V _{BE}	I _C = -500mA, V _{CE} =-2V			-1	V
Transition frequency	f _T	V _{CE} = -2V, I _C =-500mA		120		MHz
Collector output capacitance	C _{ob}	V _{CB} =-10V, I _E =0, f=1MHz			30	pF

CLASSIFICATION OF h_{FE}

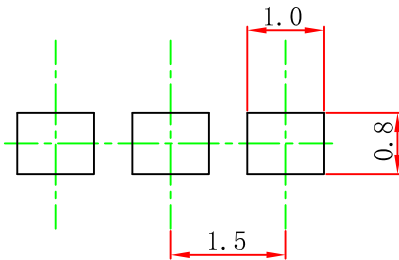
Rank	O	Y
Range	100-200	160-320

TO-92MOD Package Outline Dimensions



Symbol	Dimensions In Millimeters		Dimensions In Inches	
	Min.	Max.	Min.	Max.
A	4.800	5.000	0.189	0.197
A1	1.730	2.030	0.068	0.080
b	0.440	0.600	0.017	0.024
b1	0.940	1.100	0.037	0.043
c	0.350	0.450	0.014	0.018
D	5.900	6.100	0.232	0.240
D1	4.000		0.157	
E	8.500	8.700	0.335	0.343
e	1.500 TYP.		0.059 TYP.	
e1	2.900	3.100	0.114	0.122
L	13.800	14.200	0.543	0.559
Φ		1.600		0.063
h	0.000	0.380	0.000	0.015

TO-92MOD Suggested Pad Layout



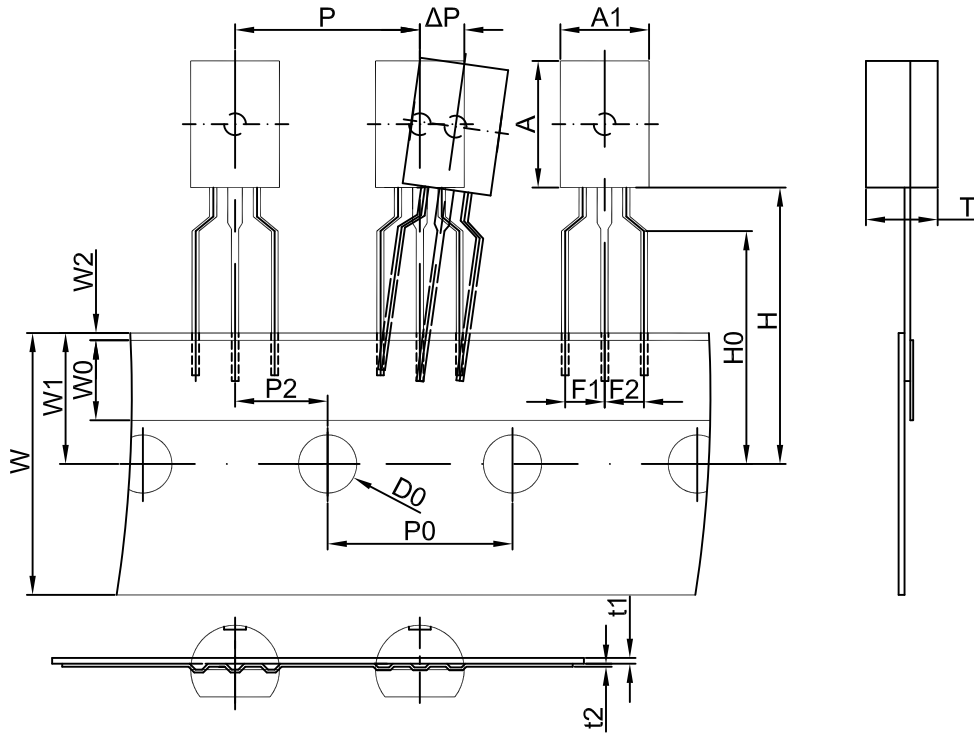
Note:

1. Controlling dimension: in millimeters.
2. General tolerance: ± 0.05 mm.
3. The pad layout is for reference purposes only.

NOTICE

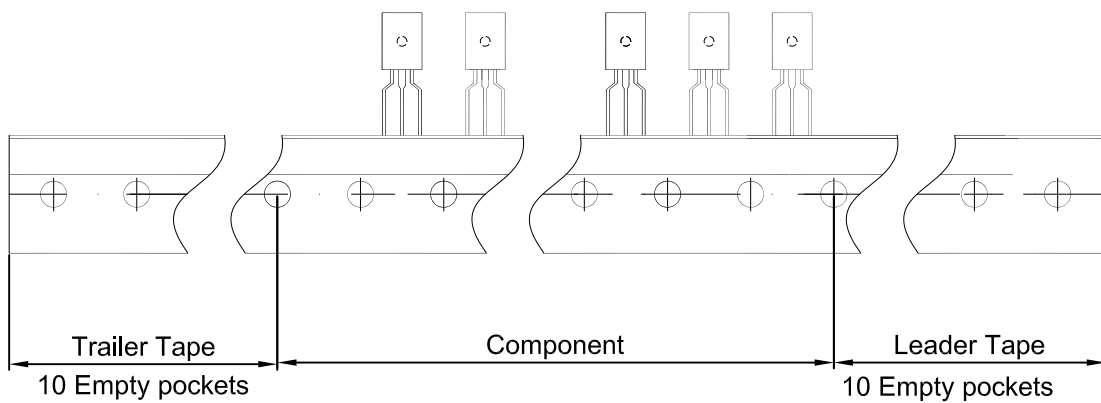
JCET reserve the right to make modifications, enhancements, improvements, corrections or other changes without further notice to any product herein. JCET does not assume any liability arising out of the application or use of any product described herein.

TO-92MOD PACKAGE TAPEING DIMENSION



Dimensions are in millimeter

A1	A	T	P	P0	P2	F1	F2	W
6.0	8.6	4.9	12.7	12.7	6.35	2.5	2.5	18.0
W0	W1	W2	H	H0	D0	t1	t2	ΔP
6.0	9.0	1.0	19.0	16.0	4.0	0.4	0.2	0



Package	Box	Box Size(mm)	Carton	Carton Size(mm)
TO-92MOD	2000 pcs	333×245×43	20,000 pcs	573×404×266