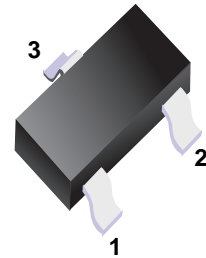


■ PNP Transistor



1.Base  
2.Emitter  
3.Collector

■ Simplified outline(SOT-323)

■ Features

- Excellent hFE linearity
- Complements the 2SC4081

■ Absolute Maximum Ratings Ta = 25°C

Parameter	Symbol	Rating	Unit
Collector - Base Voltage	V <sub>CBO</sub>	-60	V
Collector - Emitter Voltage	V <sub>CEO</sub>	-50	
Emitter - Base Voltage	V <sub>EBO</sub>	-6	
Collector Current - Continuous	I <sub>C</sub>	-150	mA
Collector Power Dissipation	P <sub>C</sub>	200	mW
Junction Temperature	T <sub>J</sub>	150	°C
Storage Temperature range	T <sub>stg</sub>	-55 to 150	

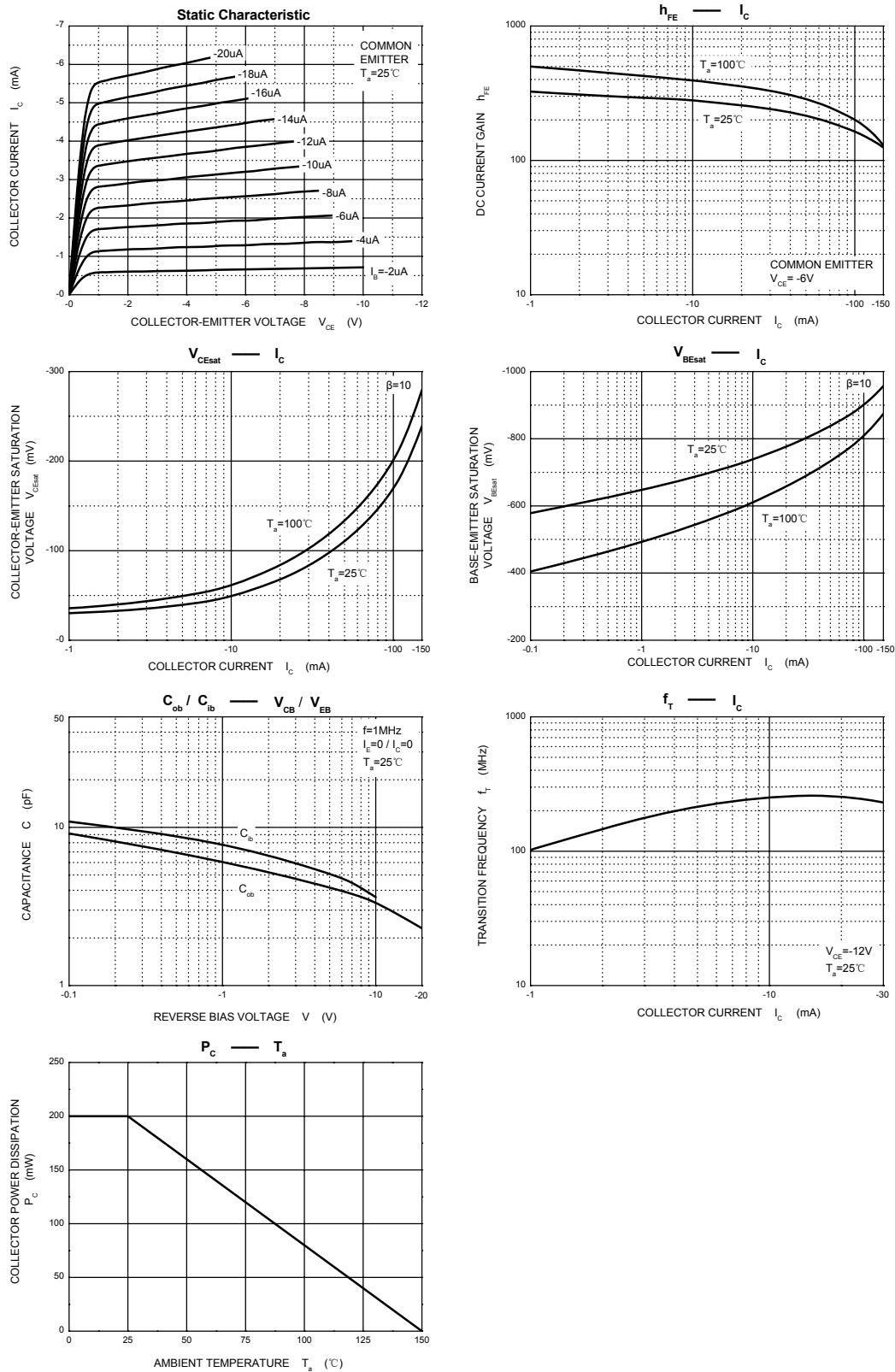
■ Electrical Characteristics Ta = 25°C

Parameter	Symbol	Test Conditions	Min	Typ	Max	Unit
Collector- base breakdown voltage	V <sub>CBO</sub>	I <sub>C</sub> = -50 μA, I <sub>E</sub> =0	-60			V
Collector- emitter breakdown voltage	V <sub>CEO</sub>	I <sub>C</sub> = -1 mA, I <sub>B</sub> =0	-50			
Emitter - base breakdown voltage	V <sub>EBO</sub>	I <sub>E</sub> = -50 μA, I <sub>C</sub> =0	-6			
Collector-base cut-off current	I <sub>CBO</sub>	V <sub>CB</sub> = -60 V, I <sub>E</sub> =0			-0.1	μA
Emitter cut-off current	I <sub>EBO</sub>	V <sub>EB</sub> = -6V, I <sub>C</sub> =0			-0.1	
Collector-emitter saturation voltage	V <sub>CE(sat)</sub>	I <sub>C</sub> =-50 mA, I <sub>B</sub> =-5 mA			-0.5	V
Base - emitter saturation voltage	V <sub>BE(sat)</sub>	I <sub>C</sub> =-50 mA, I <sub>B</sub> =-5 mA			-1.2	
DC current gain	h <sub>FE</sub>	V <sub>CE</sub> = -6V, I <sub>C</sub> = -1mA	120		560	
Collector output capacitance	C <sub>ob</sub>	V <sub>CB</sub> = -12V, I <sub>E</sub> =0, f=1MHz		4	5	pF
Transition frequency	f <sub>T</sub>	V <sub>CE</sub> = -12V, I <sub>C</sub> = -2mA, f=30MHz		140		MHz

■ Classification of hfe

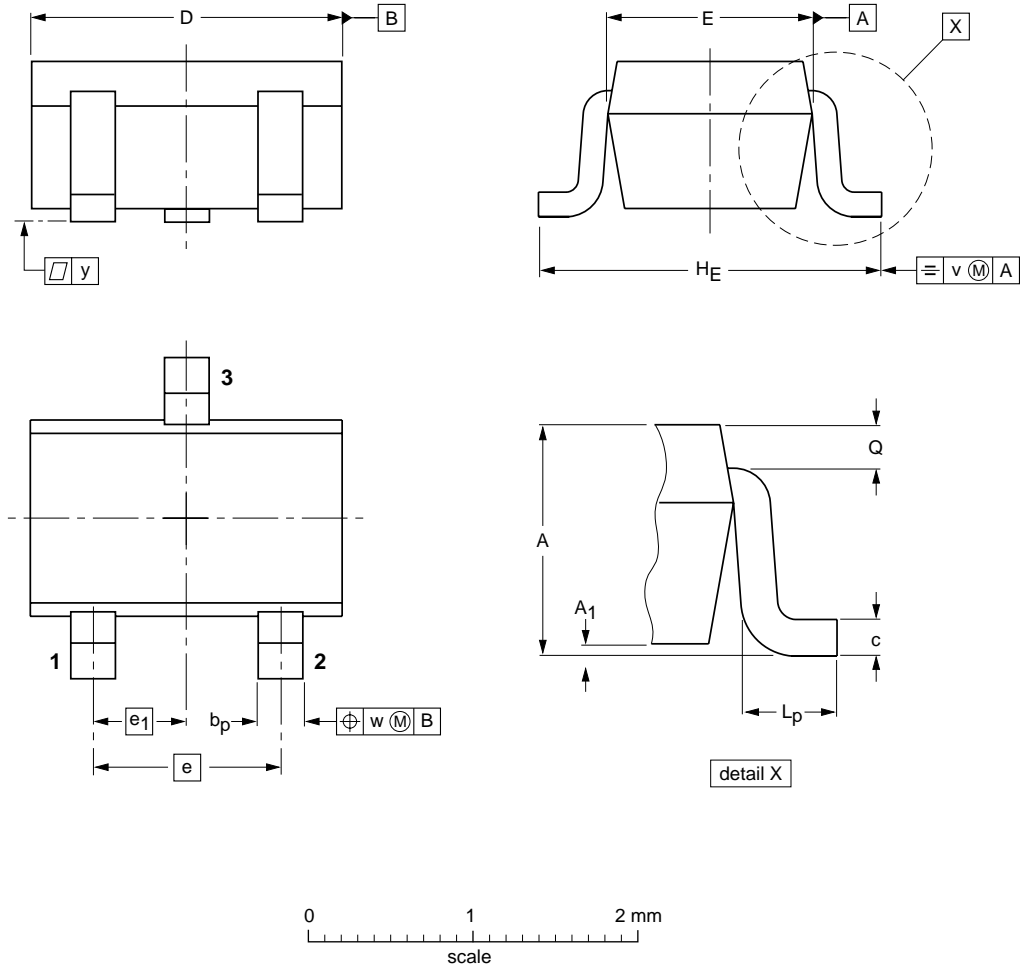
Type	2SA1576A-Q	2SA1576A-R	2SA1576A-S
Range	120-270	180-390	270-560
Marking	FQ	FR	FS

■ Typical Characteristics



Package Outline

SOT-323



DIMENSIONS (mm are the original dimensions)

UNIT	A	A <sub>1</sub> max	b <sub>p</sub>	c	D	E	e	e <sub>1</sub>	H <sub>E</sub>	L <sub>p</sub>	Q	v	w
mm	1.1 0.8	0.1	0.4 0.3	0.25 0.10	2.2 1.8	1.35 1.15	1.3	0.65	2.2 2.0	0.45 0.15	0.23 0.13	0.2	0.2

Summary of Packing Options

Package	Package Description	Packing Quantity	Industry Standard
SOT-323	Tape/Reel, 7" reel	3000	EIA-481-1