

New Jersey Semi-Conductor Products, Inc.

20 STERN AVE.
 SPRINGFIELD, NEW JERSEY 07081
 U.S.A.

TELEPHONE: (201) 376-2922
 (212) 227-6005
 FAX: (201) 376-8960

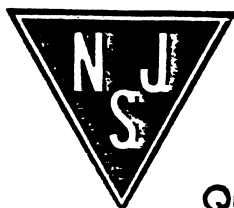
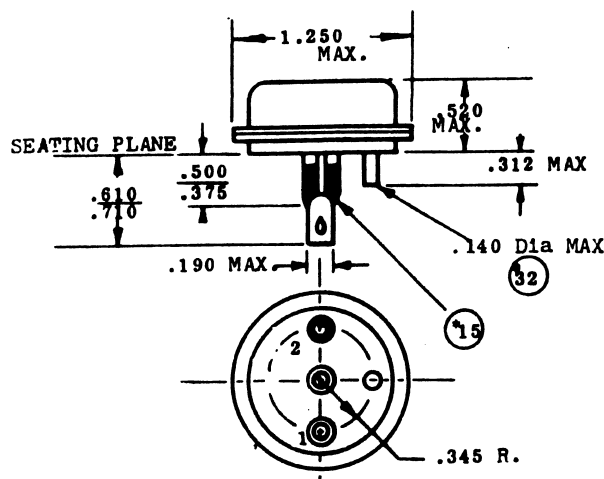
PARAMETERS

2N441
 GE PNP POWER BJT

Description: Ge PNP Power BJT

Manufacturer.....	
Mil/High-Rel? (Y/N).....	
Ic Max. (A).....	15
Vbr CEO.....	
Vbr CBO.....	40
Max. PD (W).....	
Derate Above 25xC.....	
Min hFE.....	20
Max. hFE.....	40
@Ic (test) (A).....	5.0
@VCE (V).....	2.0
Trans. Freq (Hz) Min.....	10k β
Icbo Max. @Vcb Max. (A).....	8.0m
R(sat) (j).....	
Tr Max. (s).....	15u β
t(f) Max. (S).....	15u β
Oper. Temp (xC) Max.....	95u
Pkg Style.....	T0-36
Surface Mounted (Y/N).....	N
Pinout Equivalence Number.....	3-14

u Junction Temperature β Typical β It(rms)



Quality Semi-Conductors