

NOTES: UNLESS OTHERWISE SPECIFIED:

1. WIN. EL., CATALOG NO & DATE CODE IN CONTRASTING COLOR LOCATED APPROXIMATELY AS SHOWN.

SPECIFICATIONS

MATERIALS

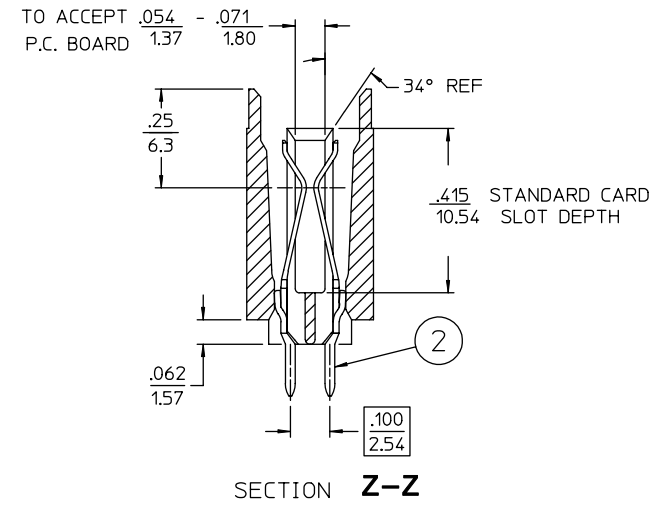
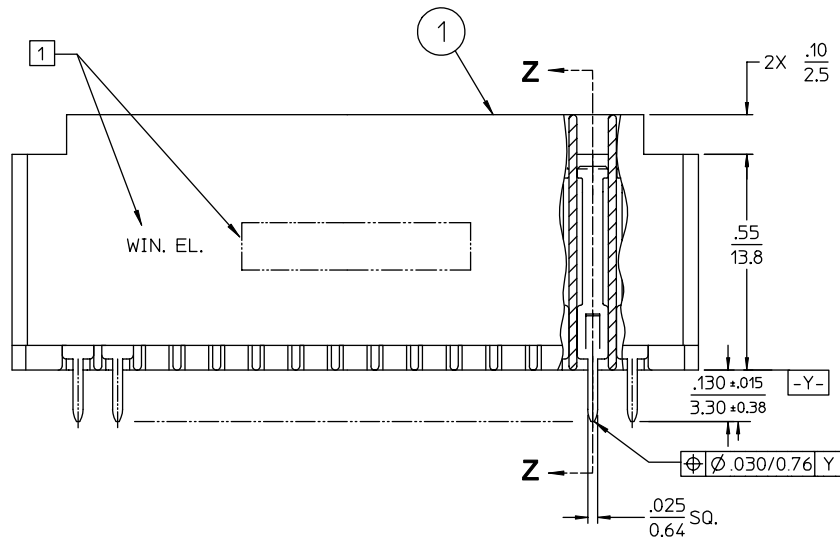
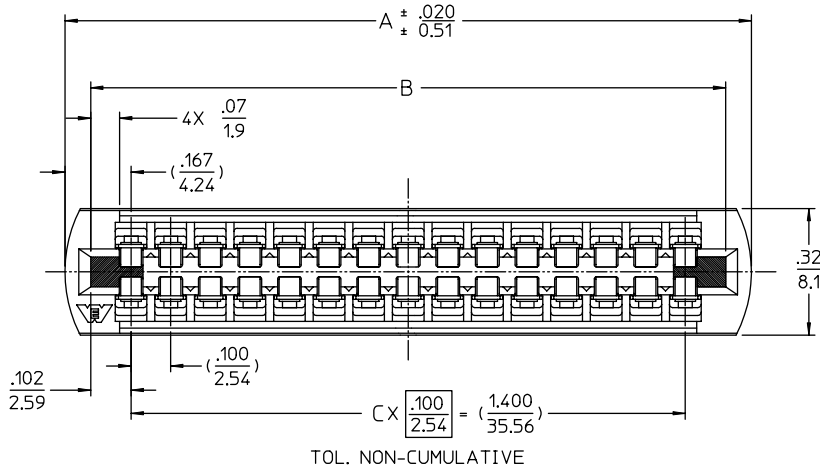
- ① Insulator _____ Glass filled Polyester Thermoplastic, UL Rated 94 V-0, Color: Natural
 ② Contact _____ Copper Nickel Tin Alloy #725, Finish: See Below

REV	DESCRIPTION	BY DATE	APPD
E	REVISED PER ECR-EWR1324	CMB 09/08/06	CMB

CATALOG No.	CONTACT AREA	SOLDERTAIL
NJ**A197925360	.000030 .00076 MIN GOLD OVER .000050 MICROINCHES MIN .00127 NICKEL UNDERPLATE	.000050 MIN TIN-LEAD 0.00127
NJ**A191925538	.000030 .00076 MIN GOLD OVER .000050 MICROINCHES MIN .00127 NICKEL UNDERPLATE	.000020 PURE TIN 0.00060 (RoHS)

PERFORMANCE CHARACTERISTICS

- Contact resistance _____ 11 milliohms max.
 Insulation resistance _____ 5,000 megohms min.
 Current rating _____ 1 amp @ 70° C, 3 amps @ 20° C
 Operating temperature range _____ -55° C to +105° C
 Daughtercard _____ .054 " to .071 "
 Maximum insertion force (upper beam) _____ 16 oz. per opposing pair
 Maximum withdrawal force (upper beam) _____ 1 oz. per opposing pair



CATALOG NO NJ15A191925360 SHOWN

CATALOG No.	A	B	C
NJ15A191925360	1.734/44.04	1.604/40.74	14
NJ25A191925360	2.734/69.44	2.562/65.07	24
NJ15A197925538	1.734/44.04	1.604/40.74	14
NJ25A197925538	2.734/69.44	2.562/65.07	24

PER ANSI Y14.5M-1982
 UNLESS OTHERWISE SPECIFIED:
 DIMENSIONS ARE IN INCHES
 TOLERANCES: .XX ± .02 / .03, .XXX ± .007 / 0.18
 ANGLES = 2° SCALE: 4:1

CUSTOMER DRAWING

DATE CHECKED: 10/24/97 W.P.M. DATE: 10/27/97
 DATE APPROVED: 10/28/97 B.BEADLE DATE: 10/28/97

Winchester Electronics
 Winchester Electronics Corporation
 62 Barnes Industrial Road North
 Wallingford, Connecticut 06492

TITLE: EDGE CARD CONNECTOR, NJ SERIES (SOLDERTAIL) CONTINUOUS CARD COLLECTOR

REV. C SHT. 1 OF 1 E

29280

June 2006 - This drawing became the property of Winchester Electronics Corporation, Wallingford, CT.