

Surface mounting schottky Diode

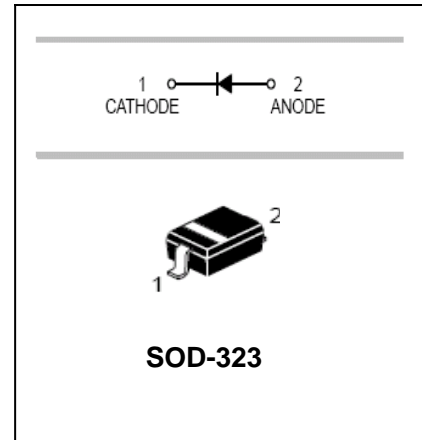
FEATURES

- Small Surface Mounting Type: SOD-323
- Low V_F .
- Low I_R

APPLICATIONS

- Surface mount schottky diode

ORDERING INFORMATION



Type No.	Marking	Package Code
1SS357	S3	SOD-323

MAXIMUM RATING @ Ta=25°C unless otherwise specified

Parameter	Symbol	Limits	Unit
Non-Repetitive Peak reverse voltage	V_{RM}	45	V
DC Reverse Voltage	V_R	40	V
Peak forward Current	I_{FSM}	1	A
Average Rectified Output Current	I_O	200	mA
Junction temperature	T_j	125	°C
Storage temperature	T_{STG}	-55~+125	°C

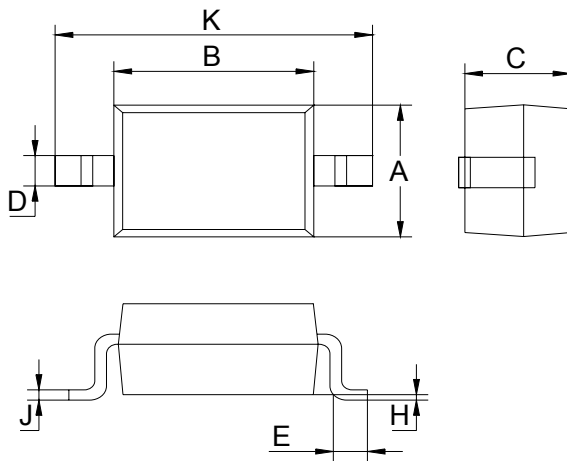
ELECTRICAL CHARACTERISTICS @ Ta=25°C unless otherwise specified

Parameter	Symbol	Min.	Typ.	Max.	Unit	Conditions
Forward voltage	V_F			0.28	V	$I_F=1mA$
				0.36		$I_F=10mA$
				0.60		$I_F=100mA$
Reverse current	I_R			5	μA	$V_R=40V$
Capacitance between terminals	C_T			25	pF	$V_R=0V, f=1MHz$

PACKAGE OUTLINE

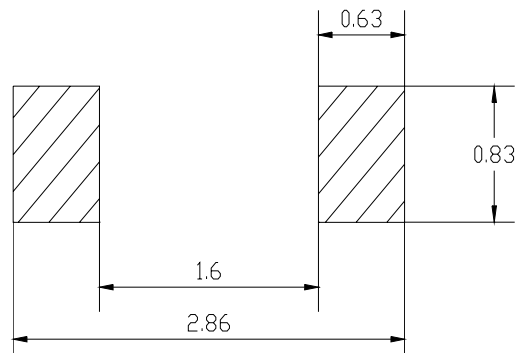
Plastic surface mounted package

SOD-323



SOD-323		
Dim	Min	Max
A	1.275	1.325
B	1.675	1.725
C	0.9 Typical	
D	0.25	0.35
E	0.27	0.37
H	0.02	0.1
J	0.1 Typical	
K	2.6	2.7
All Dimensions in mm		

SOLDERING FOOTPRINT



Unit : mm

PACKAGE INFORMATION

Device	Package	Shipping
1SS357	SOD-323	3000/Tape&Reel