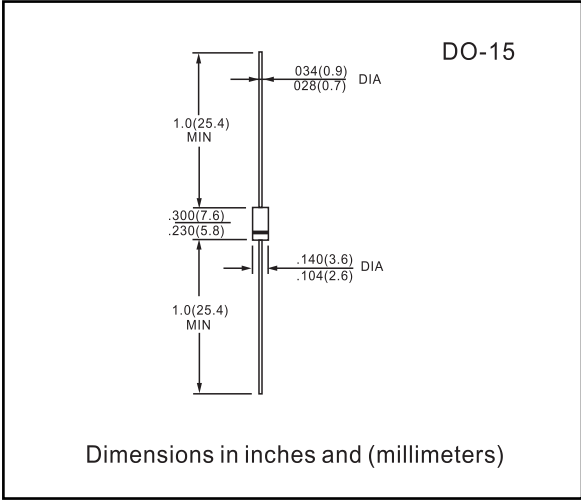




- FEATURES**
- Average Forward Current
 - Reverse Recovery Time
 - Very Fast Reverse-Recovery Time



MAXIMUM RATINGS AND ELECTRICAL CHARACTERISTICS

MAXIMUM RATINGS

CHARACTERISTIC	SYMBOL	RATING	UNIT
Repetitive Peak Reverse Voltage	V_{RRM}	200	V
Average Forward Current	$I_{F(AV)}$	1.5	A
Peak One Cycle Surge Forward Current(Non-Repetitive)	I_{FSM}	60(50Hz)	A
Junction Temperature	T_j	-40~150	°C
Storage Temperature Range	T_{stg}	-40~150	°C

ELECTRICAL CHARACTERISTICS

CHARACTERISTIC	SYMBOL	TEST CONDITION	MIN	TYPE	MAX	UNIT
Peak Forward Voltage	V_{FM}	$I_{FM} = 1.5A$	—	—	1.2	V
Repetitive Peak Reverse Current	I_{RRM}	$V_{RRM} = 200V$	—	—	50	uA
Reverse Recovery Time	t_{rr}	$I_F = 1A, di/dt = -30A/us$	—	—	100	ns
Forward Recovery Time	t_{fr}	$I_F = 1A$	—	—	200	ns
Thermal Resistance	$R_{th(j-a)}$	Junction to Ambient	—	—	68	°C/W
Thermal Resistance	$R_{th(j-l)}$	Junction to Lead	—	—	30	°C/W



TESTING AND CHARACTERISTIC CURVES 1R5DU41

