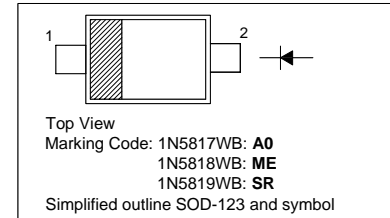


# 1N5817WB-1N5819WB

## 1 A SURFACE MOUNT SCHOTTKY BARRIER DIODE

### PINNING

PIN	DESCRIPTION
1	Cathode
2	Anode

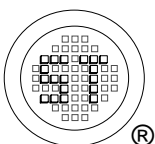


### Absolute Maximum Ratings ( $T_a = 25\text{ }^\circ\text{C}$ )

Parameter	Symbol	Value	Unit
Reverse Voltage	$V_R$	1N5817WB	20
		1N5818WB	30
		1N5819WB	40
Average Forward Rectified Current	$I_O$	1	A
Non-Repetitive Peak Forward Surge Current (8.3 ms Single Half Sine-Wave)	$I_{FSM}$	25	A
Power Dissipation	$P_{tot}$	450	mW
Operating Temperature Range	$T_j$	- 55 to + 150	$^\circ\text{C}$
Storage Temperature Range	$T_S$	- 55 to + 150	$^\circ\text{C}$

### Characteristics at $T_a = 25\text{ }^\circ\text{C}$

Parameter	Symbol	Min.	Max.	Unit
Reverse Breakdown Voltage at $I_R = 1\text{ mA}$	$V_{BR}$	1N5817WB	20	-
		1N5818WB	30	-
		1N5819WB	40	-
Reverse Voltage Leakage Current at $V_R = 20\text{ V}$ at $V_R = 30\text{ V}$ at $V_R = 40\text{ V}$ at $V_R = 4\text{ V}$ at $V_R = 6\text{ V}$	$I_R$	1N5817WB	-	1
		1N5818WB	-	1
		1N5819WB	-	1
		1N5819WB	-	0.05
		1N5819WB	-	0.075
Forward Voltage at $I_F = 0.1\text{ A}$ at $I_F = 1\text{ A}$  at $I_F = 3\text{ A}$	$V_F$	1N5819WB	-	0.45
		1N5817WB	-	0.45
		1N5818WB	-	0.55
		1N5819WB	-	0.6
		1N5817WB	-	0.75
		1N5818WB	-	0.875
1N5819WB	-	0.9		
Diode Capacitance at $V_R = 4\text{ V}$ , $f = 1\text{ MHz}$	$C_D$	-	120	pF



**SEMTECH ELECTRONICS LTD.**

(Subsidiary of Sino-Tech International Holdings Limited, a company listed on the Hong Kong Stock Exchange, Stock Code: 724)



ISO/TS 16949 : 2002  
Certificate No. 05103



ISO 14001:2004  
Certificate No. 71116



ISO 9001:2000  
Certificate No. 0506098

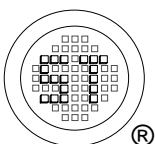
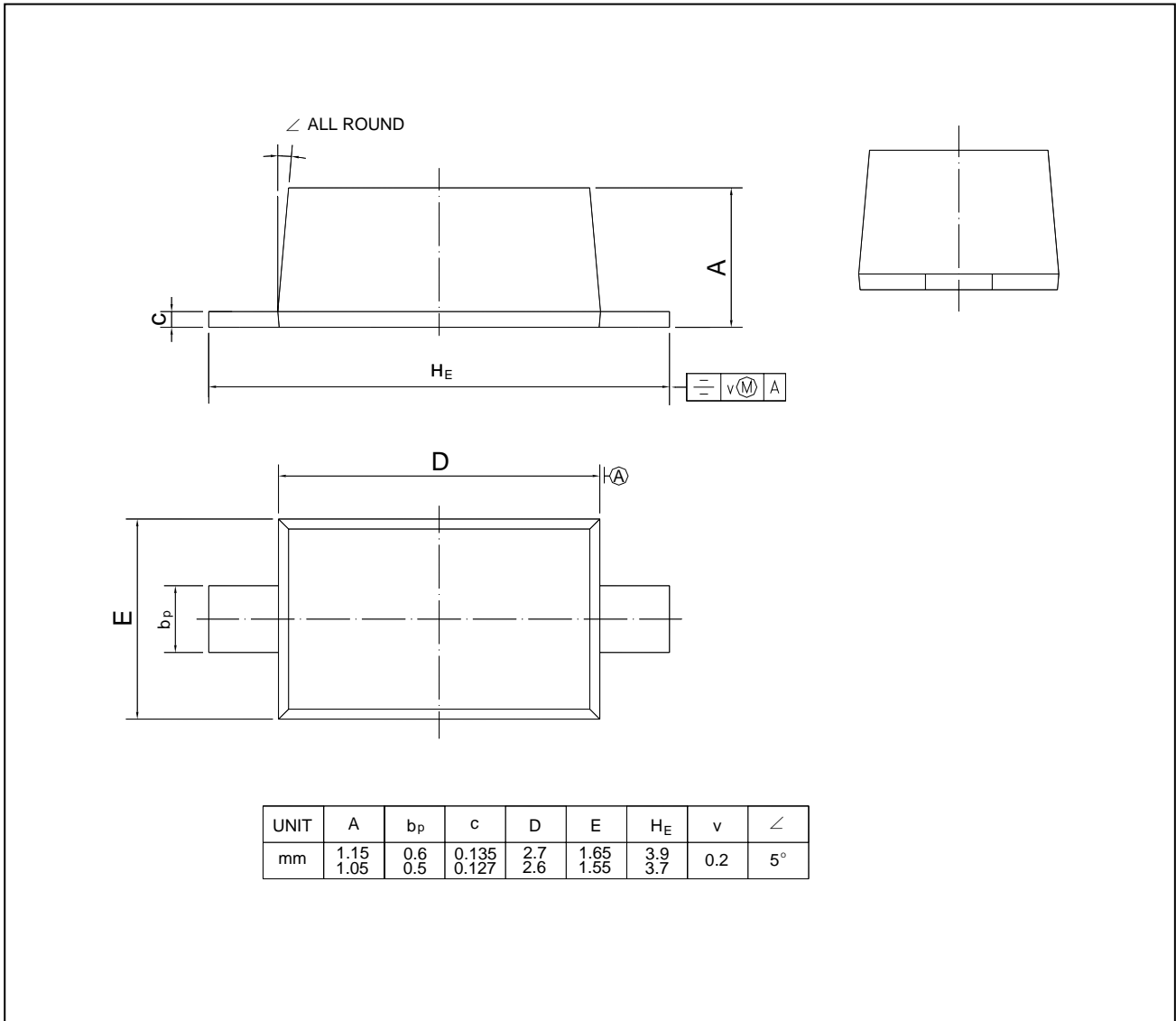
Dated : 20/12/2006

# 1N5817WB-1N5819WB

## PACKAGE OUTLINE

Plastic surface mounted package; 2 leads

SOD-123



**SEMTECH ELECTRONICS LTD.**  
 (Subsidiary of Sino-Tech International Holdings Limited, a company  
 listed on the Hong Kong Stock Exchange, Stock Code: 724)



ISO/TS 16949 : 2002  
 Certificate No. 05103



ISO 14001:2004  
 Certificate No. 71116



ISO 9001:2000  
 Certificate No. 0506098

Dated : 20/12/2006