

1N4148WS**Silicon Epitaxial Planar Switching Diode****FEATURES**

SOD-323 package

Fast switching

These diodes are also available in other case

style including the DO-35 case with the type

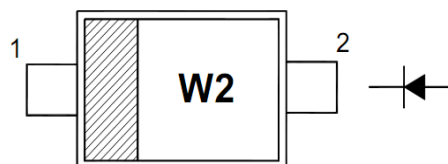
designation 1N4148, the Mini MELF case with the

type designation LL4148 and the Micro MELF case

with the type designation MCL4148.

PINNING

PIN	DESCRIPTION
1	Cathode
2	Anode



Top View

Marking Code: "W2"

Simplified outline SOD-323 and symbol

MAXIMUM RATINGS AND ELECTRICAL CHARACTERISTICS**Absolute Maximum Ratings (Ta = 25°C)**

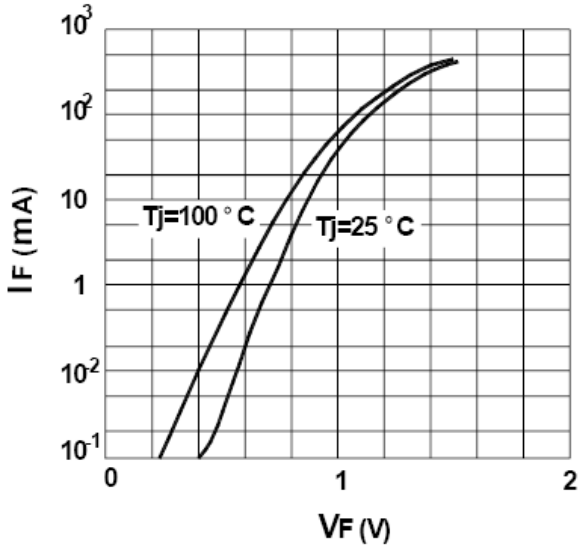
PARAMETER	SYMBOL	VALUE	UNIT
Peak Reverse Voltage	V_{RM}	100	V
Reverse Voltage	V_R	75	V
Average Rectified Forward Current	$I_F (AV)$	150	mA
Surge Forward Current ($t < 1$ s, $T_j = 25$ °C)	I_{FSM}	350	mA
Power Dissipation	P_{tot}	200	mW
Thermal Resistance from Junction to Ambient Air	$R_{\theta JA}$	625	°C/W
Junction Temperature	T_j	150	°C
Storage Temperature Range	T_{stg}	- 65 to + 150	°C

Electrical Characteristics (Ta = 25°C)

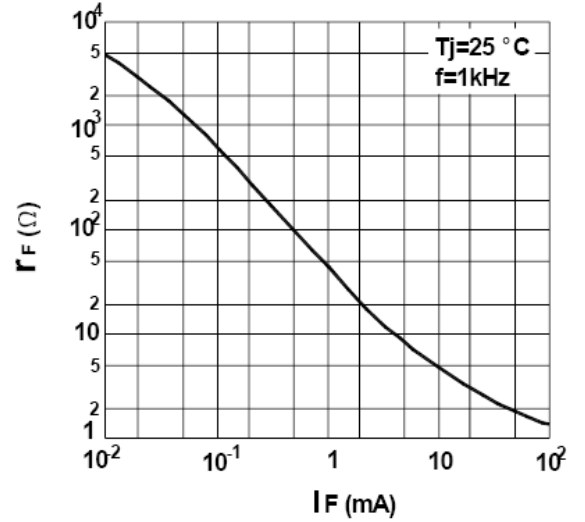
PARAMETER	SYMBOL	VALUE	UNIT
Forward Voltage at $I_F = 10$ mA	V_F	1	V
Reverse Current	I_R	25	nA
at $V_R = 20$ V		5	μ A
at $V_R = 75$ V		50	μ A
at $V_R = 20$ V, $T_j = 150$ °C			
Total Capacitance at $V_R = 0$ V, $f = 1$ MHz	C_{tot}	4	pF
Reverse Recovery Time at $I_F = 10$ mA to $I_R = 1$ mA, $V_R = 6$ V, $R_L = 100$ Ω	t_{rr}	4	ns

RATINGS AND CHARACTERISTIC CURVES 1N4148WS

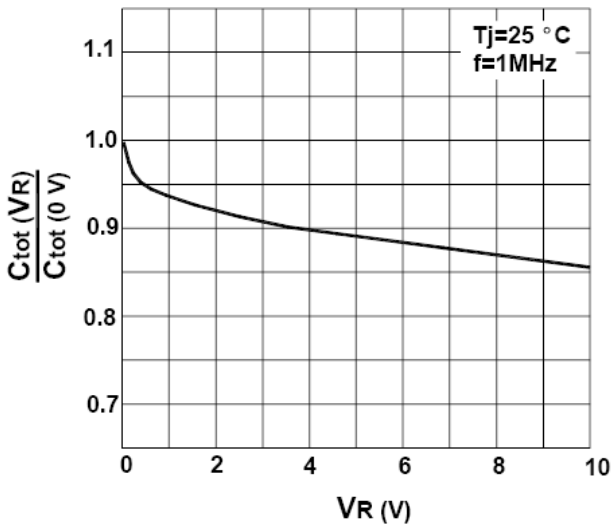
Forward characteristics



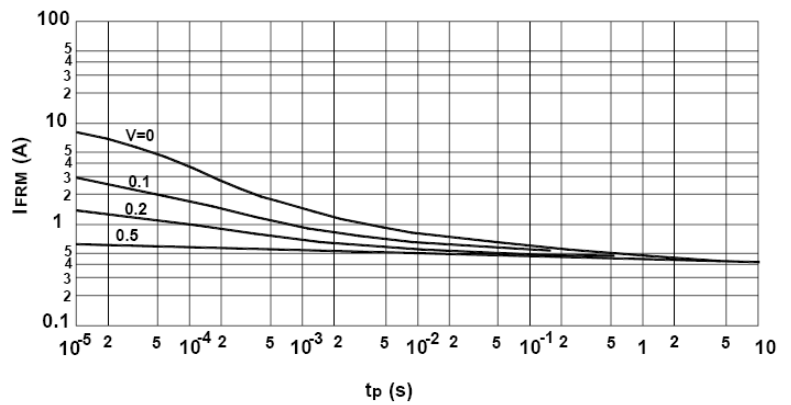
Dynamic forward resistance vs. forward current



Reverse capacitance vs. reverse voltage



Ammissible repetitive peak forward current vs. pulse duration

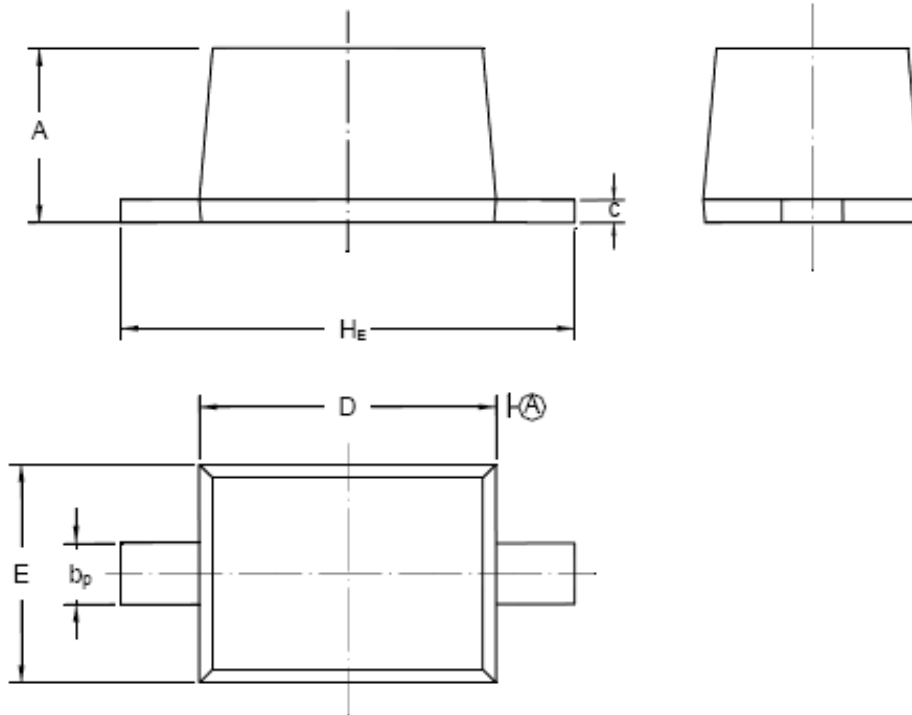


RATINGS AND CHARACTERISTIC CURVES 1N4148WS

PACKAGE OUTLINE

Plastic surface mounted package; 2 leads

SOD-323



UNIT	A	b _p	C	D	E	H _E
mm	1.10 0.80	0.40 0.25	0.15 0.10	1.80 1.60	1.35 1.15	2.80 2.30