

SENSITRON

SEMICONDUCTOR

SJ
SV
SX

TECHNICAL DATA

DATASHEET 5095, Rev A

Zener 1.5W DIODE

- Zener voltage available from 12V to 100V
- Sharp Zener knee
- Metallurgically bonded

Type Number	Nominal Zener Voltage	Zener Test Current	Max Zener Impedance	Max Zener Current	Max Reverse Leakage Current	
	Vz Nominal	Ir	Zzt	Izsm	Ir	Vr
	Volts	µA dc	ohms	mA	µA dc	Volts
1N4106-1/UR -1	12.0	5.0	200	540	0.05	9.2
1N4107-1/UR -1	13.0	5.0	200	500	0.05	9.9
1N4108-1/UR -1	14.0	5.0	200	464	0.05	10.7
1N4109-1/UR -1	15.0	5.0	100	433	0.05	11.4
1N4110-1/UR -1	16.0	5.0	100	406	0.05	12.2
1N4111-1/UR -1	17.0	5.0	100	382	0.05	13.0
1N4112-1/UR -1	18.0	5.0	100	361	0.05	13.7
1N4113-1/UR -1	19.0	2.5	150	342	0.05	14.5
1N4114-1/UR -1	20.0	2.5	150	325	0.01	15.2
1N4115-1/UR -1	22.0	2.5	150	295	0.01	16.8
1N4116-1/UR -1	24.0	2.5	150	271	0.01	18.3
1N4117-1/UR -1	25.0	2.5	150	260	0.01	19.0
1N4118-1/UR -1	27.0	2.5	150	240	0.01	20.5
1N4119-1/UR -1	28.0	2.5	200	232	0.01	21.3
1N4120-1/UR -1	30.0	2.5	200	216	0.01	22.8
1N4121-1/UR -1	33.0	2.5	200	197	0.01	25.1
1N4122-1/UR -1	36.0	2.5	200	180	0.01	27.4
1N4123-1/UR -1	39.0	2.5	200	166	0.01	29.7
1N4124-1/UR -1	43.0	2.5	250	151	0.01	32.7
1N4125-1/UR -1	47.0	4.0	250	138	0.01	35.8
1N4126-1/UR -1	51.0	5.0	300	127	0.01	38.8
1N4127-1/UR -1	56.0	5.0	300	116	0.01	42.6
1N4128-1/UR -1	60.0	5.0	400	108	0.01	45.6
1N4129-1/UR -1	62.0	5.0	500	105	0.01	47.1
1N4130-1/UR -1	68.0	7.0	700	95	0.01	51.7
1N4131-1/UR -1	75.0	7.0	700	86	0.01	57.0
1N4132-1/UR -1	82.0	8.0	800	79	0.01	62.4
1N4133-1/UR -1	87.0	8.0	1,000	75	0.01	66.2
1N4134-1/UR -1	91.0	10.0	1,200	71	0.01	69.2
1N4135-1/UR -1	100.0	10.0	1,600	65	0.01	76.0

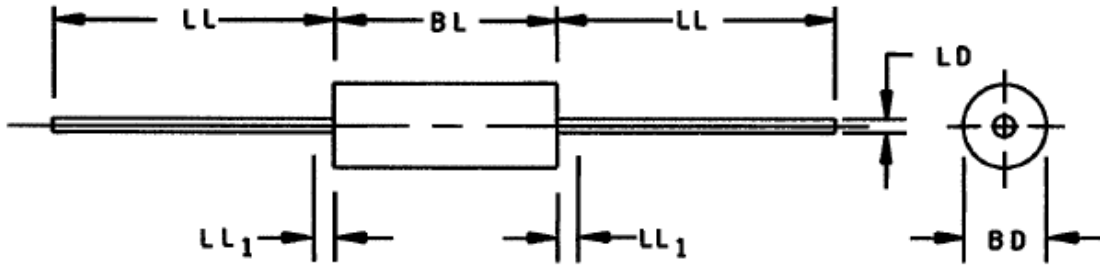
SENSITRON
SEMICONDUCTOR

1N4106-1/ UR-1 to 1N4135-1/UR-1

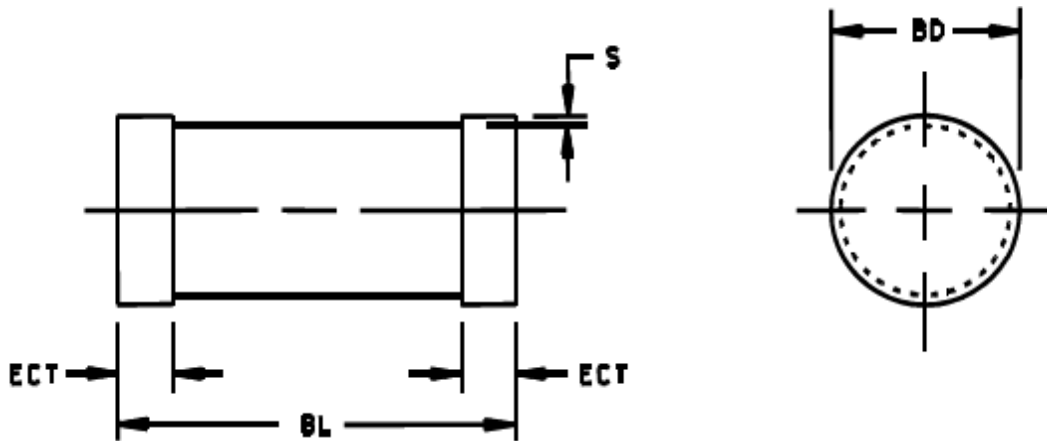
SJ
SV
SX

TECHNICAL DATA
DATASHEET 5095, Rev A

Dimensions in inches (mm)



Ltr	Dimensions				Notes
	Inches		Millimeters		
	Min	Max	Min	Max	
BD	.055	.107	1.40	2.72	3
BL	.120	.300	3.05	7.62	3
LD	.018	.022	0.46	0.56	
LL	1.000	1.500	25.40	38.10	
LL1		.050		1.27	4



Symbol	Dimensions			
	Inches		Millimeters	
	Min	Max	Min	Max
BD	.063	.067	1.60	1.70
ECT	.016	.022	0.41	0.56
BL	.130	.146	3.30	3.71
S	.001 min		0.03 min	

SENSITRON
SEMICONDUCTOR

1N4106-1/UR-1 to 1N4135-1/UR-1

SJ
SV
SX

TECHNICAL DATA
DATASHEET 5095, Rev A

DISCLAIMER:

1- The information given herein, including the specifications and dimensions, is subject to change without prior notice to improve product characteristics. Before ordering, purchasers are advised to contact the Sensitron Semiconductor sales department for the latest version of the datasheet(s).

2- In cases where extremely high reliability is required (such as use in nuclear power control, aerospace and aviation, traffic equipment, medical equipment, and safety equipment), safety should be ensured by using semiconductor devices that feature assured safety or by means of users' fail-safe precautions or other arrangement.

3- In no event shall Sensitron Semiconductor be liable for any damages that may result from an accident or any other cause during operation of the user's units according to the datasheet(s). Sensitron Semiconductor assumes no responsibility for any intellectual property claims or any other problems that may result from applications of information, products or circuits described in the datasheets.

4- In no event shall Sensitron Semiconductor be liable for any failure in a semiconductor device or any secondary damage resulting from use at a value exceeding the absolute maximum rating.

5- No license is granted by the datasheet(s) under any patents or other rights of any third party or Sensitron Semiconductor.

6- The datasheet(s) may not be reproduced or duplicated, in any form, in whole or part, without the expressed written permission of Sensitron Semiconductor.

7- The products (technologies) described in the datasheet(s) are not to be provided to any party whose purpose in their application will hinder maintenance of international peace and safety nor are they to be applied to that purpose by their direct purchasers or any third party. When exporting these products (technologies), the necessary procedures are to be taken in accordance with related laws and regulations.

• 221 WEST INDUSTRY COURT • DEER PARK, NY 11729-4681 • PHONE (631) 586-7600 • FAX (631) 242-9798 •
• World Wide Web - <http://www.sensitron.com> • E-mail Address - sales@sensitron.com •