

New Jersey Semi-Conductor Products, Inc.

20 STERN AVE.
 SPRINGFIELD, NEW JERSEY 07081
 U.S.A.

TELEPHONE: (973) 376-2922
 (212) 227-6005
 FAX: (973) 376-8960

**1N3993
 thru
 1N4000**

**10 WATTS
 ZENER DIODES**

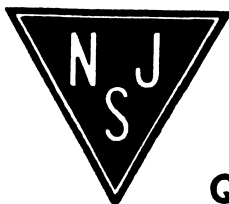
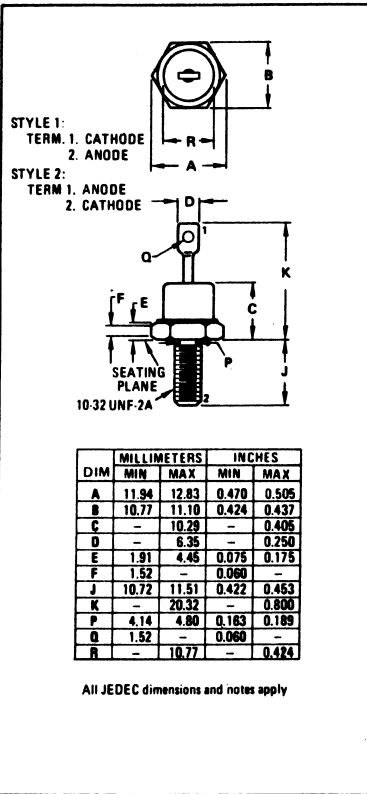
MAXIMUM RATINGS

Junction and Storage Temperature: -65°C to $+175^{\circ}\text{C}$.
 DC Power Dissipation: 10 Watts. (Derate 83.3 mW/ $^{\circ}\text{C}$ above 55°C).

The type numbers shown in the table have a standard tolerance on the nominal zener voltage of $\pm 10\%$. A standard tolerance of $\pm 5\%$ on individual units is also available and is indicated by suffixing "A" to the standard type number.

ELECTRICAL CHARACTERISTICS ($T_B = 30^{\circ}\text{C} \pm 3$,
 $V_F = 1.5$ max @ $I_F = 2$ amp for all units)

| Type No. | Nominal Zener Voltage $V_Z @ I_{ZT}$ Volts | Test Current I_{ZT} mA | Max Zener Impedance | | Max DC Zener Current I_{ZM} mA | Reverse Leakage Current | |
|----------|--|--------------------------------|---------------------------|------------------------------------|-------------------------------------|-------------------------|----------------|
| | | | $Z_{ZT} @ I_{ZT}$ Ohms | $Z_{ZK} @ I_{ZK} = 1.0$ mA Ohms | | I_R μA | V_R Volts |
| 1N3993 | 3.9 | 640 | 2.0 | 400 | 2380 | 100 | 0.5 |
| 1N3994 | 4.3 | 580 | 1.5 | 400 | 2130 | 100 | 0.5 |
| 1N3995 | 4.7 | 530 | 1.2 | 500 | 1940 | 50 | 1.0 |
| 1N3996 | 5.1 | 490 | 1.1 | 550 | 1780 | 10 | 1.0 |
| 1N3997 | 5.6 | 445 | 1.0 | 600 | 1620 | 10 | 1.0 |
| 1N3998 | 6.2 | 405 | 1.1 | 750 | 1480 | 10 | 2.0 |
| 1N3999 | 6.8 | 370 | 1.2 | 500 | 1330 | 10 | 2.0 |
| 1N4000 | 7.5 | 335 | 1.3 | 250 | 1210 | 10 | 3.0 |



Quality Semi-Conductors