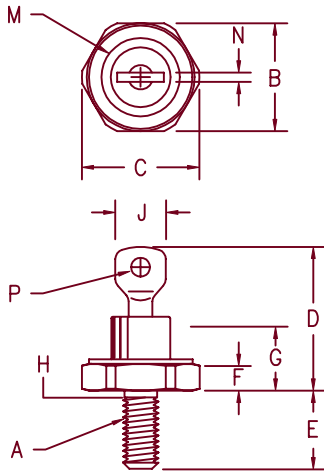


Silicon Power Rectifier S/R204 Series



Notes:

1. 10–32 UNF3A
2. Full threads within 2 1/2 threads
3. Standard Polarity: Stud is Cathode
Reverse Polarity: Stud is Anode

Dim.	Inches		Millimeter		Notes
	Minimum	Maximum	Minimum	Maximum	
A	---	---	---	---	1
B	.424	.437	10.77	11.10	
C	---	.505	---	12.82	
D	.600	.800	15.24	20.32	
E	.422	.453	10.72	11.50	
F	.075	.175	1.91	4.44	
G	---	.405	---	10.29	
H	.163	.189	4.15	4.80	2
J	---	.310	---	7.87	
M	---	.350	---	8.89	Dia
N	.020	.065	.510	1.65	
P	.070	.100	1.78	2.54	Dia

D0203AA (D04)

Microsemi Catalog Number Standard	JEDEC Numbers	Peak Reverse Voltage
	1N1199, 1N1199A, 1N1199B	50V
*S20410	1N1200, 1N1200A, 1N1200B 1N1201, 1N1201A, 1N1201B	100V 150V
*S20420	1N1124,A, 1N1202, 1N1202A, 1N1202B 1N1125,A, 1N1203, 1N1203A, 1N1203B	200V 300V
*S20440	1N1126,A, 1N1204, 1N1204A, 1N1204B 1N1127,A, 1N1205, 1N1205A, 1N1205B	400V 500V
*S20460	1N1128,A, 1N1206, 1N1206A, 1N1206B	600V
*S20480		800V
*S204100		1000V
*S204120		1200V

*Change S to R in part number for Reverse Polarity
For JEDEC numbers add R to part number for Reverse Polarity
NOTE: The Reverse Polarity For the A & B versions may be listed as RA or RB instead of AR or BR

- Glass Passivated Die
- Low Forward Voltage
- 250A Surge Rating
- Glass to metal seal construction
- V_{RRM} to 1200V

Electrical Characteristics			
Average forward current	IF(AV) 12 Amps	$T_C = 170^\circ\text{C}$, half sine wave, $R_{\theta JC} = 2.5^\circ\text{C/W}$	
Maximum surge current	IFSM 250 Amps	8.3ms, half sine, $T_J = 200^\circ\text{C}$	
Max $I^2 t$ for fusing	$I^2 t$ 260 A ² s		
Max peak forward voltage	V _{FM} 1.2 Volts	IFM = 30A: $T_J = 25^\circ\text{C}$ *	
Max peak reverse current	IRM 10 μA	$V_{RRM}, T_J = 25^\circ\text{C}$	
Max peak reverse current	IRM 1.0 mA	$V_{RRM}, T_J = 150^\circ\text{C}$ *	
Max Recommended Operating Frequency	10kHz		

*Pulse test: Pulse width 300 μsec . Duty cycle 2%

Thermal and Mechanical Characteristics		
Storage temperature range	T _{STG}	-65°C to 200°C
Operating junction temp range	T _J	-65°C to 200°C
Maximum thermal resistance	R _{θJC}	2.5°C/W Junction to Case
Mounting torque		25–30 inch pounds
Weight		.16 ounces (5.0 grams) typical

7–24–03 Rev. 2

S/R204

Figure 1
Typical Forward Characteristics

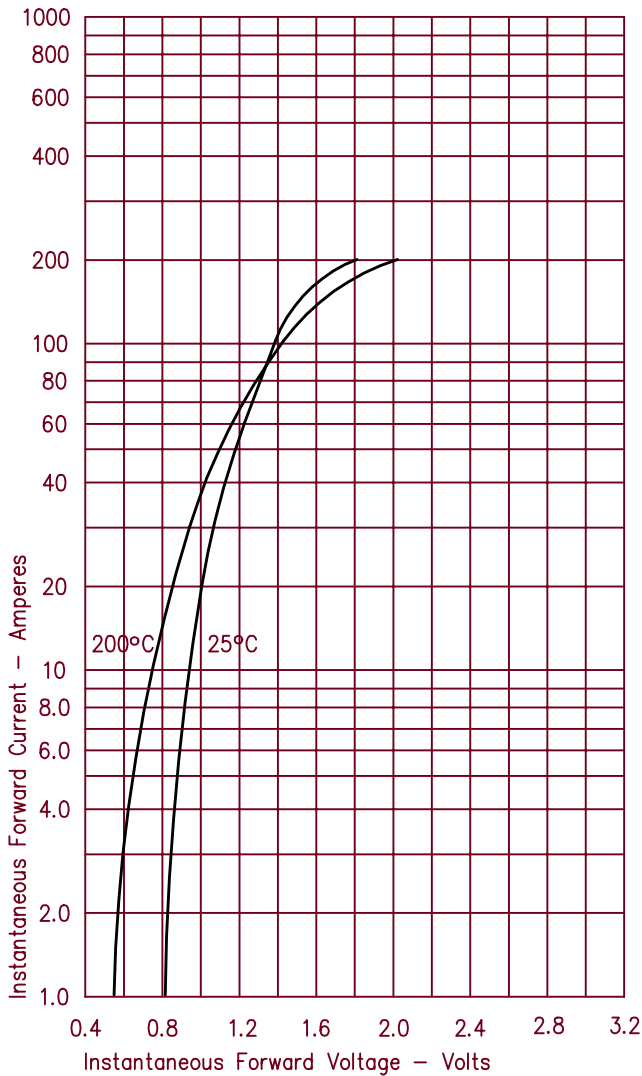


Figure 3
Forward Current Derating

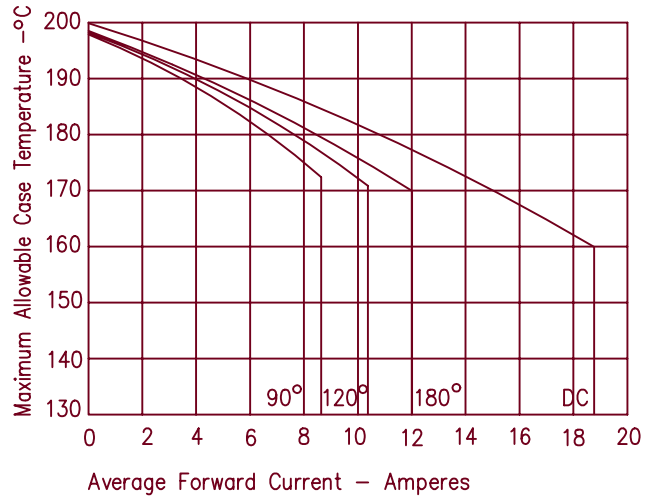


Figure 4
Maximum Forward Power Dissipation

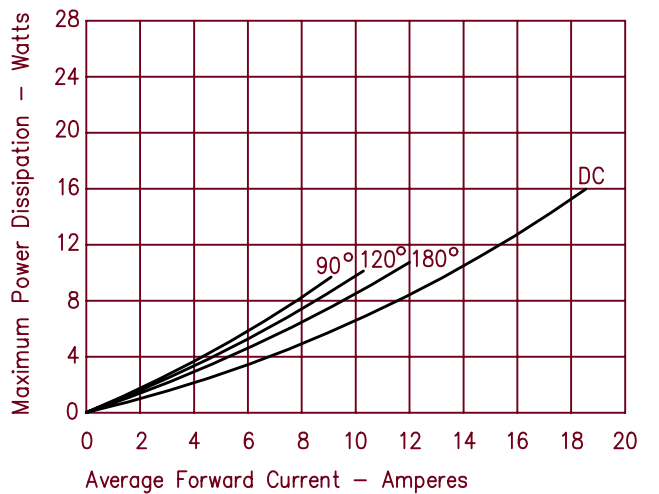


Figure 2
Typical Reverse Characteristics

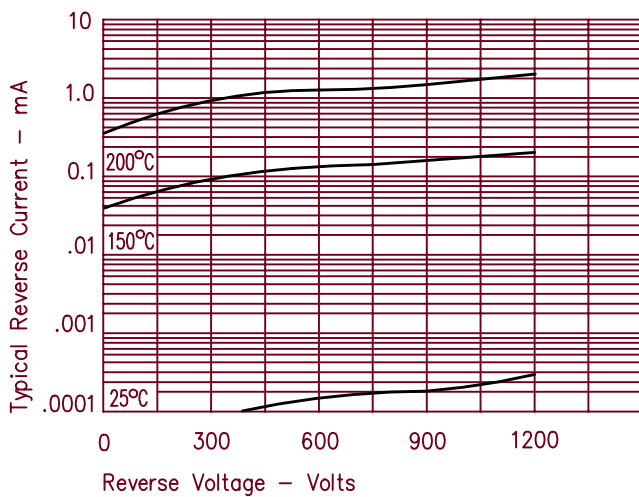


Figure 5
Transient Thermal Impedance

