

1400N series

Momentary pushbutton switches - snap-in mounting - square plunger

Distinctive features and specifications

UG1410A



- Butt action contacts, double break
- Solder lug, straight PC and quick-connect terminals

ELECTRICAL SPECIFICATIONS

- Max. current/voltage rating with resistive load :
 - silver contacts (A) : 6A 12VDC
 - silver plated copper contacts (C) : 3A 12VDC
- Initial contact resistance : 10 mΩ
- Insulation resistance : 1.000 MΩ min. at 500VDC
- Dielectric strength :
 - 1.500 Vrms 50 Hz min. between terminals
 - 2.000 Vrms 50 Hz min. between terminals and metal panel
- Electrical life : 10.000 cycles at full load

MATERIALS

- Case : polyamide
- Plunger : polyamide
- Contacts :
 - A : silver
 - C : copper, silver plated

GENERAL SPECIFICATIONS

- Panel thickness : 2 mm (.078) max.
- Operating temperature : -20°C to +55°C

Dimensions : first dimensions are in mm while inches are shown as bracketed numbers.



Packaging unit : 60 pieces.

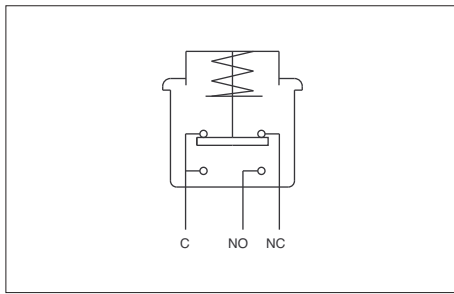
The company reserves the right to change specifications without notice.



1400N series

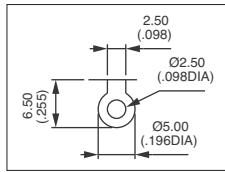
Momentary pushbutton switches - snap-in mounting - square plunger

Solder lug, straight PC or quick-connect terminals

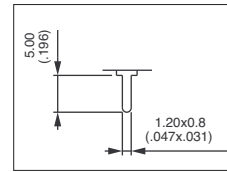


• Single pole configurations

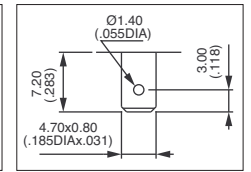
141.N



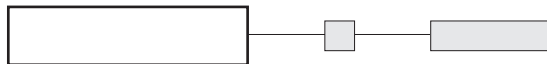
144.N



141.N/8



MODEL STRUCTURE

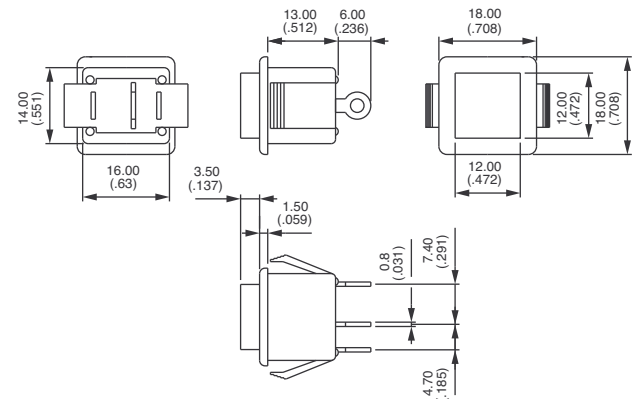


B2

Solder lug terminals



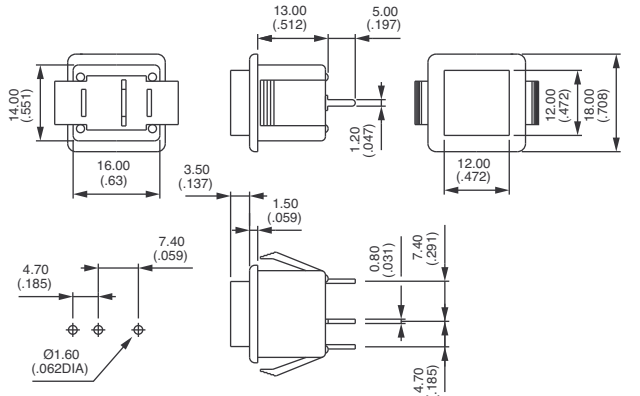
1412N		Normally Closed
1413N		Normally Open
1415N		Changeover



Straight PC terminals



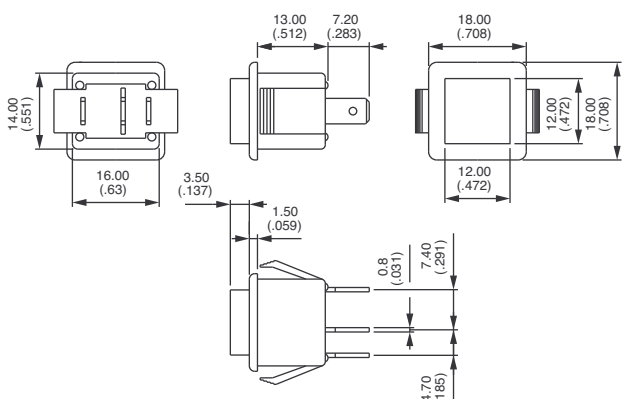
1442N		Normally Closed
1443N		Normally Open
1445N		Changeover



Quick-connect terminals 4,7 x 0,8 (.185 x .031)



1412N/8		Normally Closed
1413N/8		Normally Open
1415N/8		Changeover

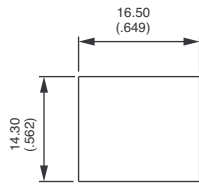


1400N series

Momentary pushbutton switches - snap-in mounting - square plunger

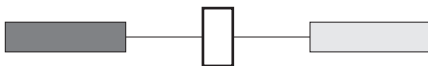
OPTIONS
● ● ●

PANEL CUT-OUT



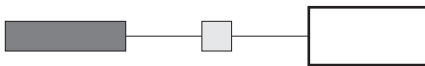
B2

CONTACT MATERIALS



- A Silver
- C Copper, silver plated

PLUNGER COLOURS



- 2 Black (standard)
- 3 Green
- 6 Red
- 7 Ivory



Switch frame supplied in black.

Apem:

1412N8C2 1412N8C7 1412NC2 1413NC2 1413NC3 1413NC7 1415N8C2 1415NC2 1415NC3 1415NC6
1415NC7 1442NC2 1443NC2 1443NC6 1445NC2