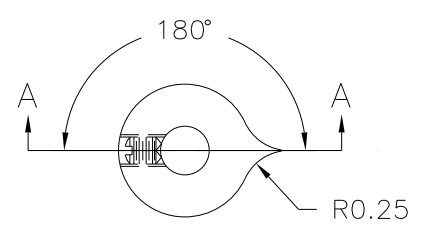
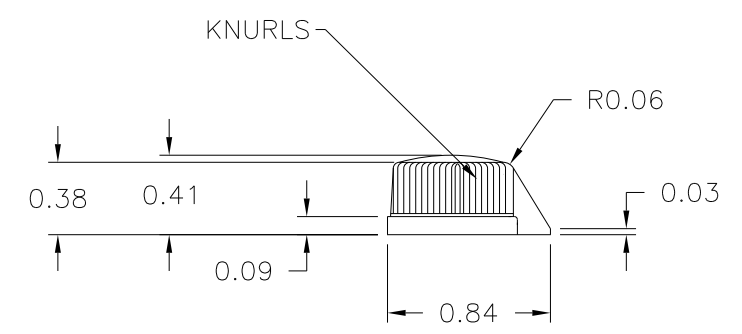
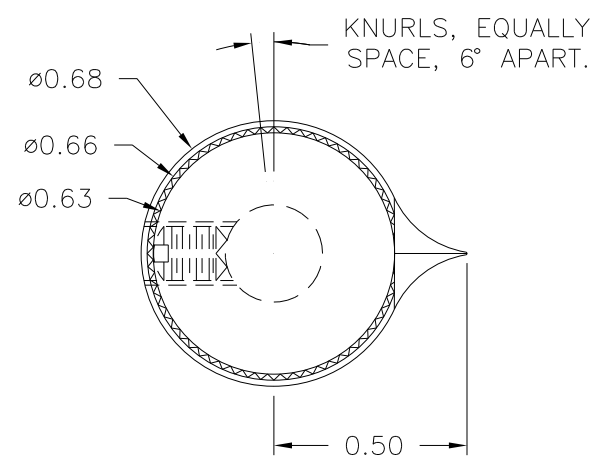
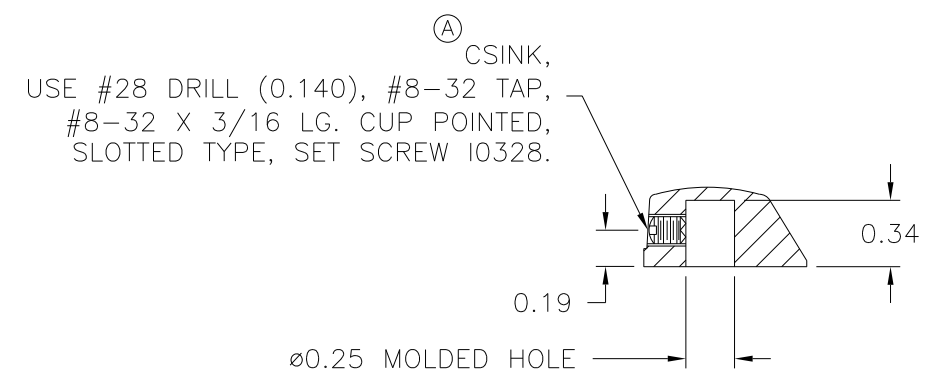


SCALE 2 : 1



SECTION A-A



MATERIAL: G.P. PHENOLIC (B11)  
COLOR: BLACK

TOLERANCES: UNLESS OTHERWISE SPECIFIED	DO NOT SCALE DRAWING	A	ADDED CSINK	JAM	3/17/08
		-	UPDATED/HAD TOOLBOX	ST	9/6/2000
DECIMALS: X.XXX ± .005 X.XX ± .015	MM: X.XX ± 0.15MM X.X ± 0.4MM	-	UPDATED DRAWING	HD	2/6/97
		-	CAD/REDRAWN	HD	12/17/93
FRACTIONS ± 1/64	ANG. ± 1°	CHANGES			