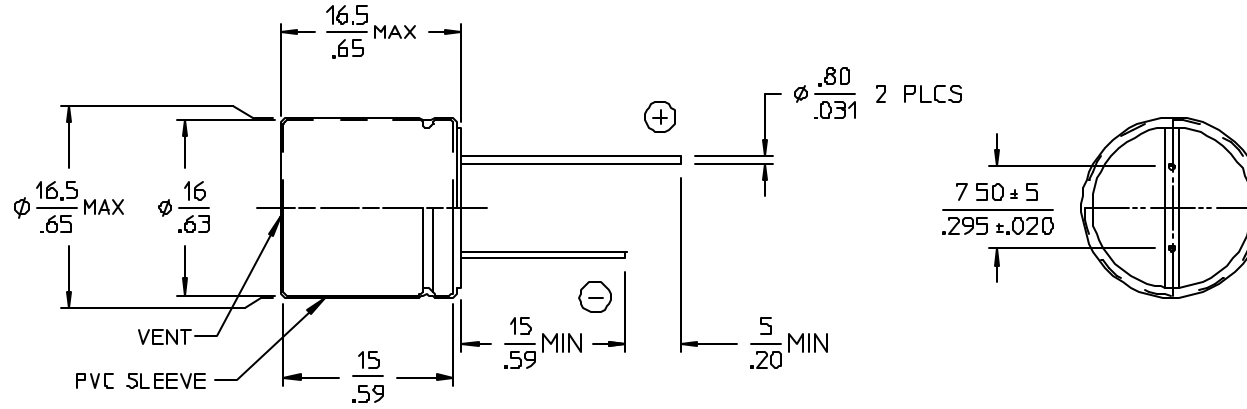


**VICOR CONFIDENTIAL**

THIS DOCUMENT AND THE DATA DISCLOSED HEREIN OR HEREWITH IS NOT TO BE REPRODUCED, USED, OR DISCLOSED IN WHOLE OR IN PART TO ANYONE WITHOUT PERMISSION OF VICOR CORP.

REV	DESCRIPTION	DATE	APPROVED
01	RELEASED- E020061	3/6/02	GCK



*ELECTRICAL CHARACTERISTICS @ T<sub>a</sub> = 20°C, 120Hz (UNLESS OTHERWISE SPECIFIED)*

PARAMETER	SYMBOL	MIN	MAX	UNITS	TEST CONDITIONS
CAPACITANCE	C	448	672	µF	0.5Vrms
WORKING VOLTAGE	V <sub>DCW</sub>	35		V	
SURGE VOLTAGE	V <sub>SURGE</sub>	44		V	
LEAKAGE CURRENT	I <sub>DCL</sub>		588	µA	1 MINUTE
DISSIPATION FACTOR	tan δ		0.12		
IMPEDANCE	Z		0.096 0.25	Ω	100KHZ, 20 °C 100KHZ, -10 °C
RIPPLE CURRENT	I <sub>RIPPLE</sub>		1100	mA	T <sub>a</sub> = 105°C, 100KHZ
OPERATING TEMPERATURE RANGE	T <sub>OP</sub>	-55	+105	°C	

**NOTES:**

1. MATERIAL: ALUMINUM ELECTROLYTIC.
2. SOLVENT PROOF END SEAL.
3. DIMENSIONS ARE METRIC.  
INCH

MAXIMUM PERMISSIBLE RIPPLE CURRENT

FREQUENCY MULTIPLIER

FREQUENCY IN Hz					
50	120	300	1K	10K	100K
0.65	0.80	0.90	0.98	1.00	1.00

TEMPERATURE MULTIPLIER

TEMPERATURE	85°C	105°C
MULTIPLIER	1.75	1

DRAWN BY GCK	DATE 01/14/02	<p><b>CAPACITOR, ALEL, RADIAL, 560µF, ±20% 35V</b></p>		
<small>UNLESS OTHERWISE SPECIFIED DIMENSIONS ARE IN INCHES- TOLERANCES ARE FRACTIONS DECIMALS ANGLES +1/64 .XX- +.01 .1°</small>				
THIRD ANGLE PROJECTION 	SIZE B	FSCM NO. 67131	DWG NO 13446	REV 01
DD NOT SCALE DRAWING	SCALE 2X	SHEET 1 OF 1		