

PART NAME: KNOB

SCALE: 1:1

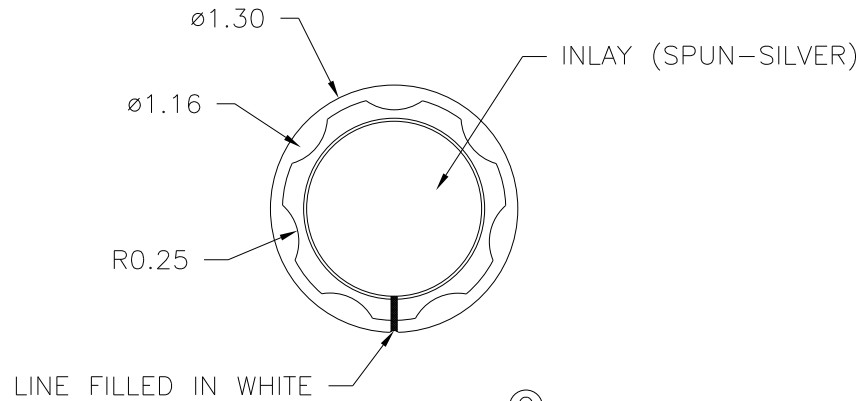
DATE: 12/8/93

DR. BY HD

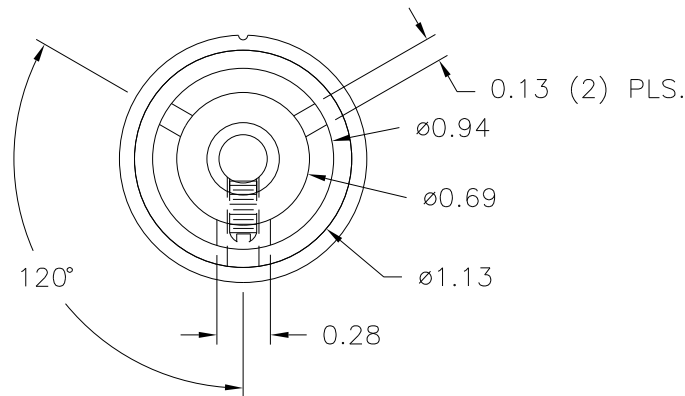
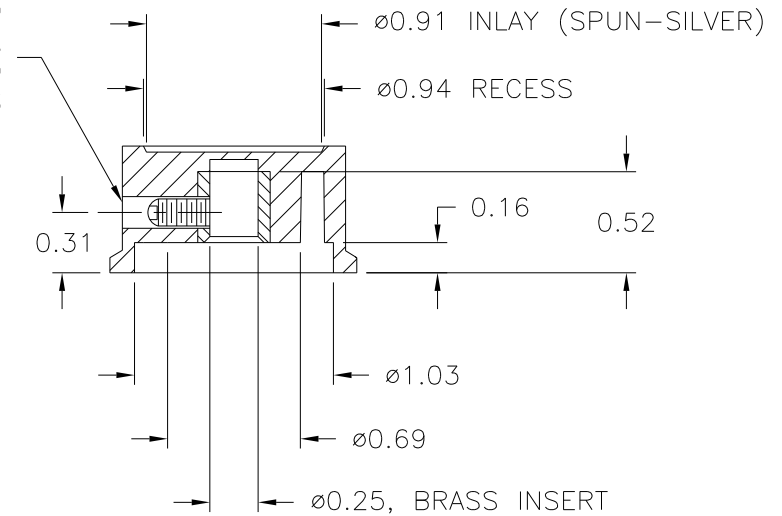
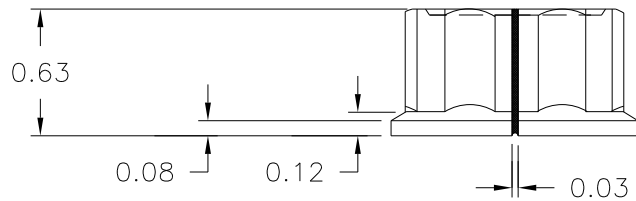
DAVIES MOLDING COMPANY
CAROL STREAM, ILLINOIS 60188

P/N 1110

THIS DRAWING IS THE PROPERTY OF DAVIES MOLDING COMPANY, IS SUBMITTED SOLELY AS A DESIGN OR ENGINEERING PROJECT. WE ACCEPT NO RESPONSIBILITY WHATSOEVER FOR THE PRACTICAL APPLICATION OF THE PIECES MADE TO THIS DESIGN.



- ⓐ M4 X 0.7 TAPPED HOLE, FULL TREAD REQUIRED IN BODY OF KNOB, M4 X 0.7 X 8 LG. SLOTTED SET SCREW, H.H. BRASS
- ⓑ
- ⓒ



MATERIAL: PHENOLIC
COLOR: BLACK

- ⓐ
- ⓑ
- ⓒ

	REMOVED ALTERNATE SET SCREW	JAM	8/6/01
	ALTERNATE WAS METRIC	JAM	6/5/01
	Added Set Screw Hole Detail and Alternate Metric Set Screw	RF	6/26/98
	Was Slotted Set Screw as Shown	JRM	11/2/97
CHANGES			

TOLERANCES: UNLESS OTHERWISE SPECIFIED	DO NOT SCALE DRAWING
DECIMALS: X.XXX ± .005 X.XX ± .015	MM: X.XX ± 0.15MM X.X ± 0.4MM
FRACTIONS ± 1/64	ANG. ± 1°