

KEYSTONE PTFE Insulated Terminals & Pins

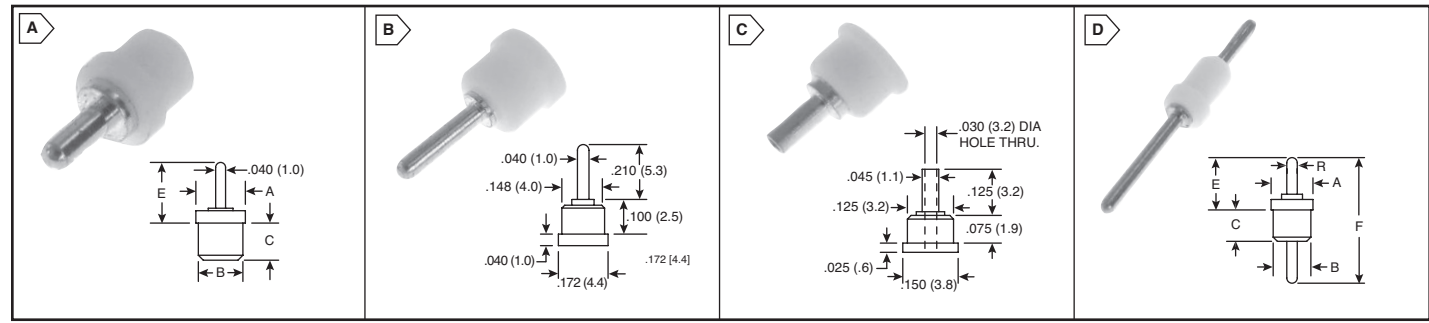


RoHS Compliant This product is RoHS compliant.

Features:

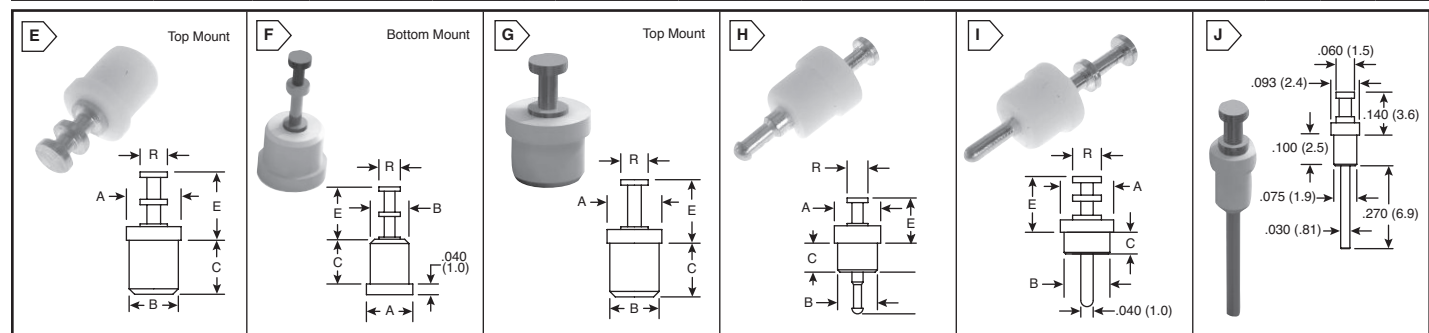
- Outstanding Electrical, Mechanical, Thermal and Chemical properties.
- Provides greater pull-out strength and high torque resistance
- Ideal for high quality terminal and connector applications
- Custom PTFE jacks manufactured to your specifications
- Other platings and bushing colors available upon request
- Space saving design for high density packaging

Bushing: White PTFE RoHS
Terminal: Brass, Tin Plate



PINS For quantities greater than listed, call for quote.

MOUSER STOCK NO.	Keystone Part No.	Fig.	Dimensions: in. (mm)							Price Each						
			A	B	C	E	F	R	Mtg. Hole Dia.	1	100	500	1000			
Top Mount																
534-11065	11065	A	.125 (3.2)	.104 (2.6)	.089 (2.3)	.161 (4.1)	--	--	.091 (2.3)							
534-11066	11066	A	.125 (3.2)	.093 (2.4)	.100 (2.5)	.925 (23.5)	--	--	.086 (2.2)							
534-11067	11067	A	.172 (4.4)	.148 (3.8)	.100 (2.5)	.150 (3.8)	--	--	.136 (3.5)							
534-11068	11068	A	.172 (4.4)	.148 (3.8)	.075 (1.9)	.185 (4.7)	--	--	.136 (3.5)							
534-11069	11069	A	.172 (4.4)	.148 (3.8)	.050 (1.3)	.260 (6.6)	--	--	.136 (3.5)							
534-11070	11070	A	.172 (4.4)	.148 (3.8)	.075 (1.9)	.260 (6.6)	--	--	.136 (3.5)							
534-11071	11071	A	.172 (4.4)	.148 (3.8)	.100 (2.5)	.250 (6.4)	--	--	.136 (3.5)							
534-11072	11072	A	.172 (4.4)	.148 (3.8)	.160 (4.1)	.250 (6.4)	--	--	.136 (3.5)							
534-11073	11073	A	.172 (4.4)	.148 (3.8)	.100 (2.5)	.490 (12.4)	--	--	.136 (3.5)							
534-11074	11074	A	.172 (4.4)	.148 (3.8)	.100 (2.5)	.585 (14.9)	--	--	.136 (3.5)							
Pin - Bottom Mount																
534-11075	11075	B	.148 (4.0)	.172 (4.4)	.100 (2.5)	.210 (5.3)	--	--	.136 (3.5)							
Hollow Pin - Bottom Mount																
534-11076	11076	C	.125 (3.2)	.150 (3.8)	.075 (1.9)	.125 (3.2)	--	--	.113 (2.9)							
Pin-To-Pin Feed-Thru																
534-11150	11150	D	.093 (2.4)	.075 (1.9)	.100 (2.5)	.315 (8.0)	.550 (13.9)	.030 (7.6)	.069 (1.8)							
534-11151	11151	D	.125 (3.2)	.093 (2.4)	.100 (2.5)	.196 (5.0)	.453 (11.5)	.040 (1.0)	.086 (2.2)							
534-11152	11152	D	.125 (3.2)	.093 (2.4)	.100 (2.5)	.250 (6.4)	.515 (13.1)	.040 (1.0)	.086 (2.2)							
534-11153	11153	D	.125 (3.2)	.093 (2.4)	.100 (2.5)	.250 (6.4)	.443 (11.3)	.040 (1.0)	.086 (2.2)							
534-11154	11154	D	.150 (3.8)	.125 (3.2)	.100 (2.5)	.250 (6.4)	.443 (11.3)	.040 (1.0)	.113 (2.9)							
534-11155	11155	D	.172 (4.4)	.148 (3.8)	.100 (2.5)	.250 (6.4)	.515 (13.1)	.040 (1.0)	.136 (3.5)							
534-11156	11156	D	.172 (4.4)	.148 (3.8)	.110 (2.8)	.260 (6.6)	.535 (13.6)	.040 (1.0)	.136 (3.5)							
534-11157	11157	D	.172 (4.4)	.148 (3.8)	.250 (6.4)	.303 (7.7)	.719 (18.3)	.040 (1.0)	.136 (3.5)							
534-11158	11158	D	.172 (4.4)	.148 (3.8)	.160 (4.1)	.250 (6.4)	.725 (18.4)	.040 (1.0)	.136 (3.5)							
534-11159	11159	D	.172 (4.4)	.148 (3.8)	.170 (4.3)	.250 (6.4)	.630 (16.0)	.040 (1.0)	.136 (3.5)							
534-11160	11160	D	.172 (4.4)	.148 (3.8)	.170 (4.3)	.250 (6.4)	.630 (16.0)	.040 (1.0)	.136 (3.5)							



SOLDER TERMINALS For quantities greater than listed, call for quote.

*Hollow turret

MOUSER STOCK NO.	Keystone Part No.	Fig.	Dimensions: in. (mm)					Price Each				
			A	B	C	E	R	Mtg. Hole Dia.	1	100	500	1000
Turret												
534-11300	11300	E	.125 (3.2)	.039 (2.4)	.100 (2.5)	.210 (5.3)	.060 (1.5)	.086 (2.2)				
534-11301	11301	E	.125 (3.2)	.093 (2.4)	.080 (2.0)	.250 (6.4)	.080 (2.0)	.086 (2.2)				
534-11302	11302	E	.125 (3.2)	.093 (2.4)	.100 (2.5)	.250 (6.4)	.080 (2.0)	.086 (2.2)				
534-11303	11303	E	.172 (4.4)	.148 (3.8)	.140 (3.6)	.194 (4.9)	.093 (2.4)	.136 (3.5)				
534-11304	11304	E	.172 (4.4)	.148 (3.8)	.110 (2.8)	.250 (6.4)	.080 (2.0)	.136 (3.5)				
534-11305	11305	E	.172 (4.4)	.148 (3.8)	.125 (3.2)	.303 (7.7)	.080 (2.0)	.136 (3.5)				
534-11306	11306	E	.172 (4.4)	.148 (3.8)	.165 (4.2)	.290 (7.4)	.093 (2.4)	.136 (3.5)				
534-11307	11307	E	.172 (4.4)	.148 (3.8)	.250 (6.4)	.290 (7.4)	.093 (2.4)	.136 (3.5)				
534-11308	11308	E	.172 (4.4)	.148 (3.8)	.165 (4.2)	.437 (11.1)	.093 (2.4)	.136 (3.5)				
534-11310	11310	F	.125 (3.2)	.093 (2.4)	.100 (2.5)	.170 (4.3)	.060 (1.5)	.086 (2.2)				
534-11311	11311	F	.172 (4.4)	.148 (3.8)	.100 (2.5)	.210 (5.3)	.080 (2.0)	.136 (3.5)				
534-11312	11312	F	.187 (4.8)	.171 (4.3)	.155 (3.9)	.210 (5.3)	.080 (2.0)	.158 (4.0)				
534-11320	11320	G	.172 (4.4)	.148 (3.8)	.100 (2.5)	.150 (3.8)	.080 (2.0)	.136 (3.5)				
534-11321	11321	G	.187 (4.8)	.165 (4.2)	.150 (3.8)	.370 (9.4)	.090 (2.3)	.152 (3.9)				
* 534-11322	11322	G	.150 (3.8)	.125 (3.2)	.110 (2.8)	.180 (4.6)	.090 (2.3)	.113 (2.9)				
Turret-To-Turret Feed-thru												
534-11250	11250	H	.312 (7.9)	.171 (4.3)	.171 (4.3)	.196 (5.0)	.093 (2.4)	.158 (4.0)				
534-11251	11251	H	.200 (5.1)	.172 (4.4)	.125 (3.2)	.195 (5.0)	.090 (2.3)	.158 (4.0)				
Turret-To-Pin Feed-thru												
534-11216	11216	I	.172 (4.4)	.148 (3.8)	.100 (2.5)	.250 (6.4)	.080 (2.0)	.136 (3.5)				
534-11217	11217	I	.172 (4.4)	.148 (3.8)	.230 (5.8)	.375 (9.5)	.093 (2.4)	.066 (1.7)				
534-11218	11218	J	.093 (2.4)	.075 (1.9)	.100 (2.5)	.140 (3.6)	.060 (1.5)	.066 (1.7)				