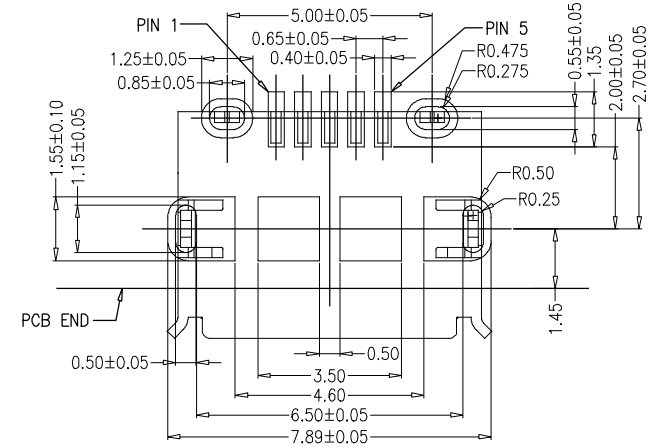
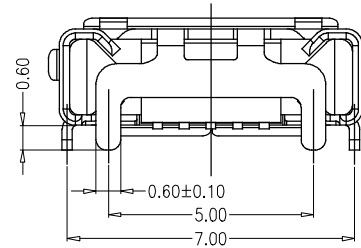
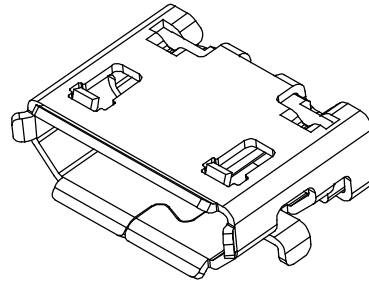
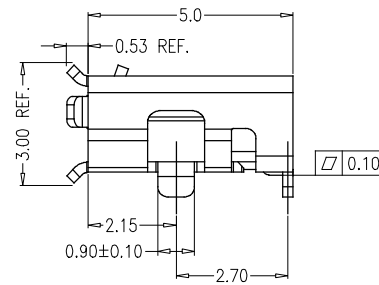
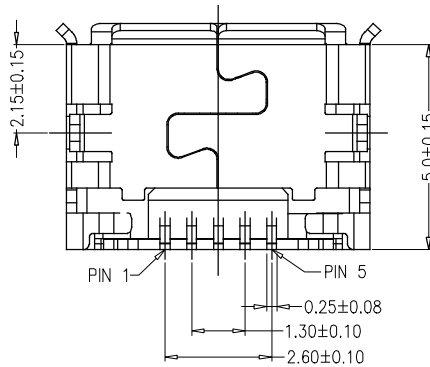
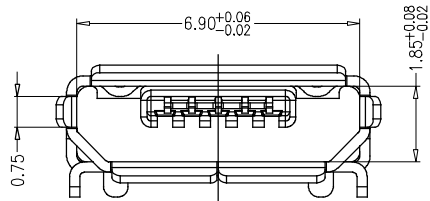
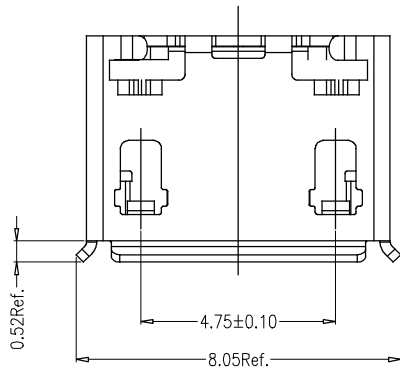




PART NUMBER  
10118194-0001LF



REFERENCE PCB LAYOUT

-NOTE-

- Product meets USB 2.0 requirement.
- Coplanarity:  
Solder tails: 0.08mm maximum.  
Metal tabs: 0.10mm maximum.
- The "LF" is meant lead free and can withstand expose to 260° C peak temperature for 10 seconds in IR reflow process.

Item	Title	Material	Finish
1	Shell	Stainless Steel	Matte Tin 80u"
2	Terminal	Copper Alloy	Mating Area: 30u" Gold Solder Tails: G/F
3	InsertMolding	Thermoplastic	UL94V-0, Black

mat'l. code				tolerances unless otherwise specified		CUSTOMER COPY		FCI www.fciconnect.com	
ltr	ecn no	dr	date	linear	.X ± 0.38		projection	title MICRO USB B TYPE RECEPTACLE	
A		J.H	5/12/11		.XX ± 0.25				
				angles	.XXX ± 0.10		MM	product family USB code TWN	
					0° ±2°				
				dr	JASON HSU	5/12/11	scale	size dwg no A4 10118194	
				enrg	JASON HSU	5/12/11			
				chr	GARY HSIEH	5/12/11	5:1	sheet 1 of 1	
				appd	JOSEPH HSIA	5/12/11			
sheet index	revision sheet	A	1						

cage code