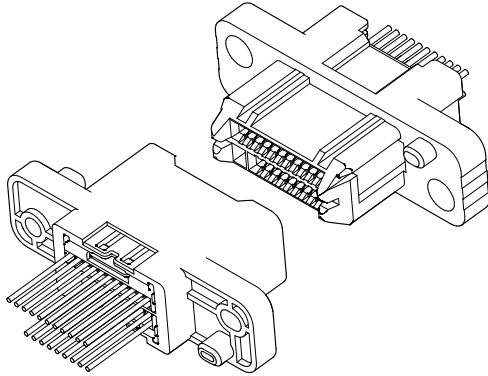


RWM CONNECTOR

Disconnectable crimp style Wire-to-wire connectors

Signal 20-circuit



This connector is a dual row type drawer connector with combined signal to connect the units and absorbs misalignment between units.


This is drawer connector suitable for the place which is few in insertion and withdrawal cycles.

Specifications

- Current rating: Signal circuit; 1.0 A AC/DC (AWG #26)
 - Voltage rating: Signal circuit; 50 V AC/DC
 - Temperature range: -25°C to +85°C
(including temperature rise in applying electrical current)
 - Contact resistance:
 - Signal circuit Initial value/ 40 mΩ max.
 - After environmental tests/ 60 mΩ max.
 - Insulation resistance: 500 MΩ min.
 - Withstanding voltage: Signal circuit 500 VAC
 - Applicable wire:
 - Plug signal circuit Conductor size/ AWG #28 to #26
Insulation O.D./ 0.78 to 1.1 mm
 - Receptacle signal circuit Applicable socket/ CZ, CZH connectors
 - Guarantee of repeated mating/unmating performance: 100 cycles
- * In using the products, refer to "Handling Precaution for Terminal and Connector" described on our website (Technical documents of Product information page).
- * Contact JST for details.
- * RoHS2 compliance

Standards

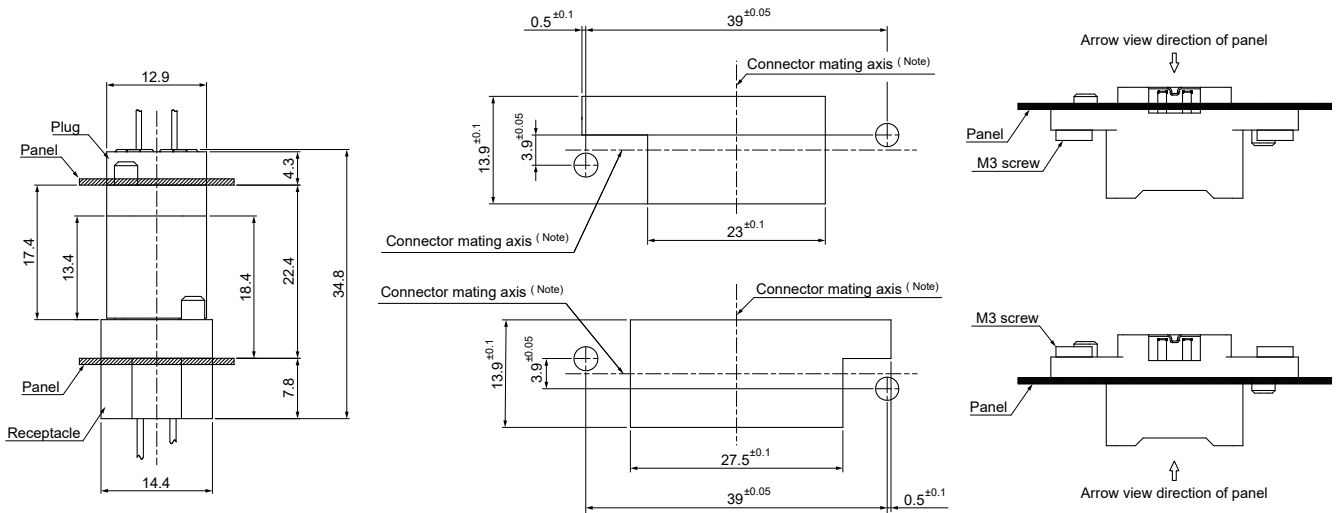
 Recognized E 60389

 R 5025872

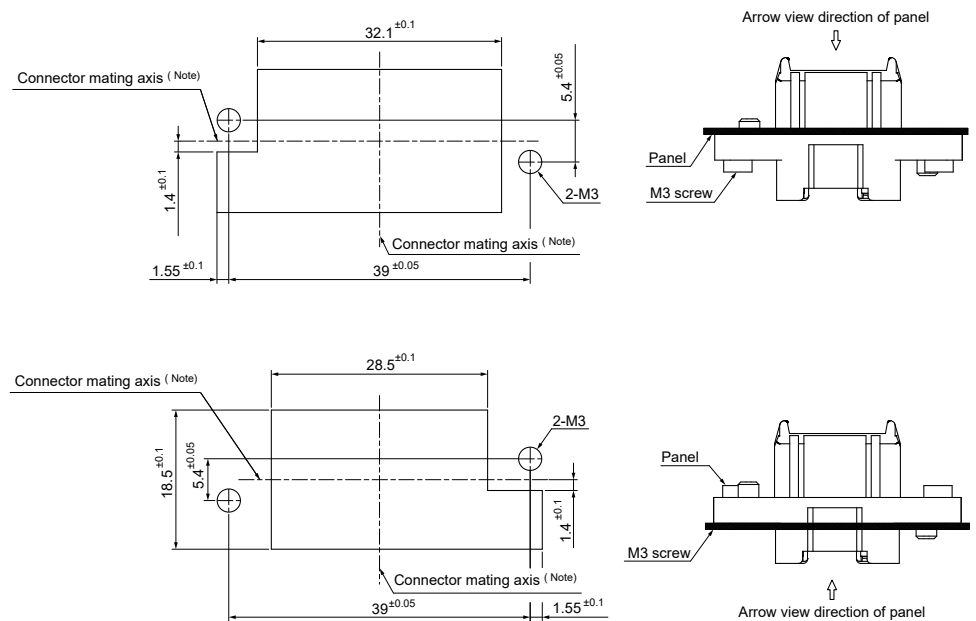
PC board layout and Assembly layout

Signal 20-circuit

Recommended panel layout (Panel thickness: 0.8 mm to 2.0 mm)



Recommended panel layout (Panel thickness: 0.8 mm to 2.0 mm)



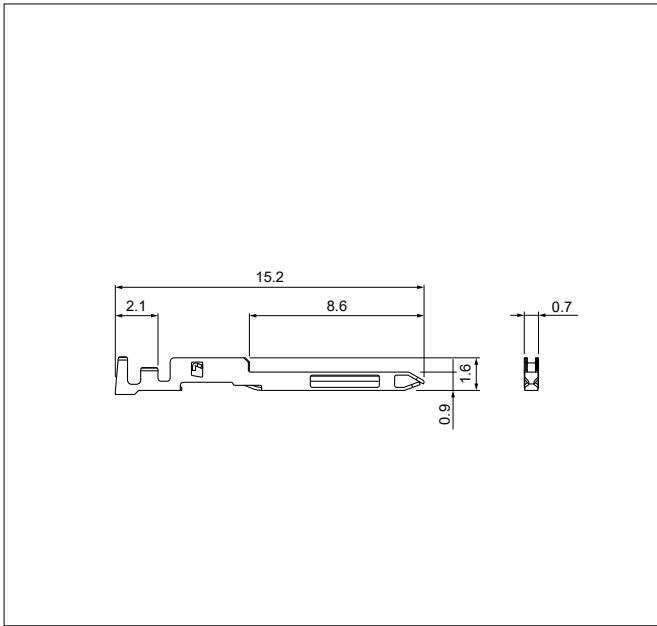
● Mating circuit

	Circuits
Plug signal unit	1
RWM Receptacle	1
CZH/CZ	1

Note: It is located on the central line connecting the centers of two screw hole dimensions.

RWM CONNECTOR

Plug contact for signal circuit



Model No.	Applicable wire		Insulation O.D. (mm)	Q'ty/ reel
	mm ²	AWG#		
SRWMP-002T-M0.9	0.08~0.13	28~26	0.78~1.1	18,000

Material and Finish

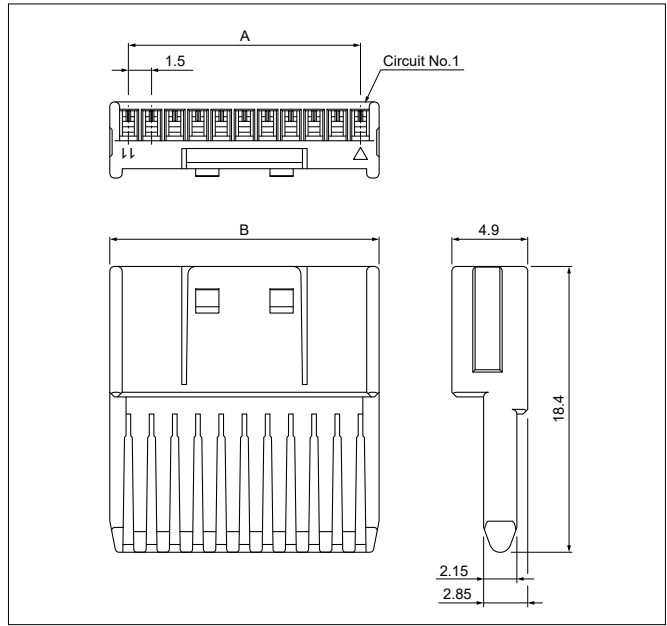
Copper alloy, nickel-undercoated, overall tin-plated (reflow treatment)

RoHS2 compliance This product displays (LF)(SN) on a label.

Contact	Crimping machine	Applicator		
		Crimp applicator	Dies	Crimp applicator with dies
SRWMP-002T-M0.9	AP-K2N	MKS-L-10-3	MK/SRWMP-002-09	APLMK SRWMP002-09

Note: Contact JST for fully automatic crimping applicator.

Plug signal unit



No. of circuits	Model No.	Dimensions (mm)		Q'ty/ box
		A	B	
9	RWMYP-09-K	12	14.4	1,000
11	RWMYP-11-K	15	17.4	1,000

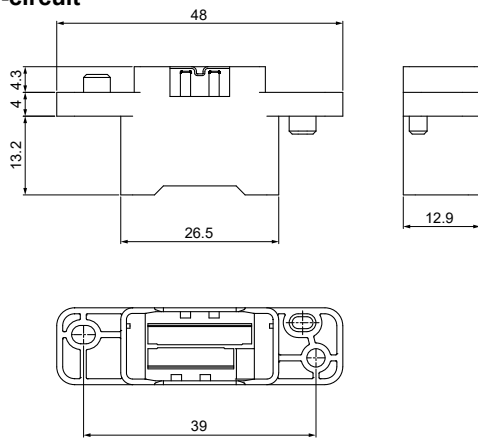
Material and Finish

PBT, UL94V-0, black

RoHS2 compliance

Plug

Signal 20-circuit



Panel lock type

No. of circuits	Model No.	Q'ty/box
20	RWMP-20S0-K	600

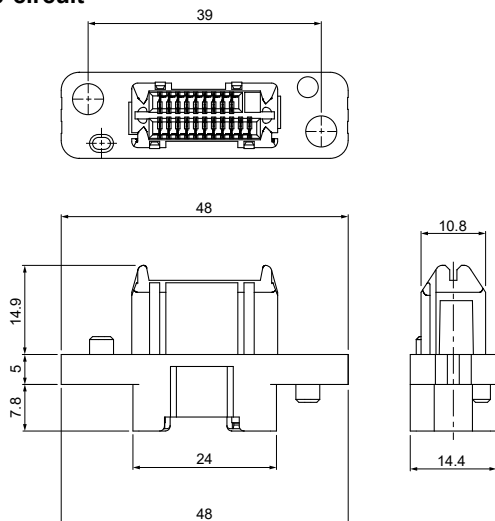
Material and Finish

PBT, UL94V-0, black

RoHS2 compliance

Receptacle

Signal 20-circuit



No. of circuits	Model No.	Q'ty/box
20	20S0R-RWM-KT	250

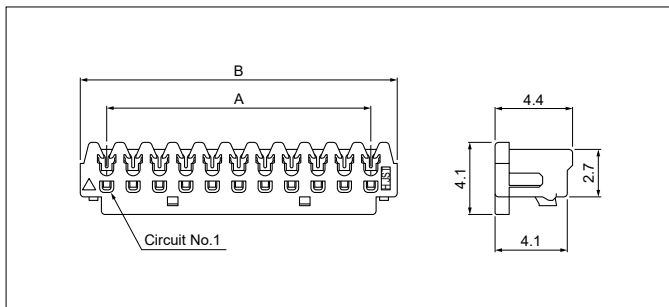
Material and Finish

Contact: Copper alloy, nickel-undercoated, overall tin-plated (reflow treatment)
Housing: PBT, UL94V-0, black

RoHS2 compliance

RWM CONNECTOR

CZ connector Socket



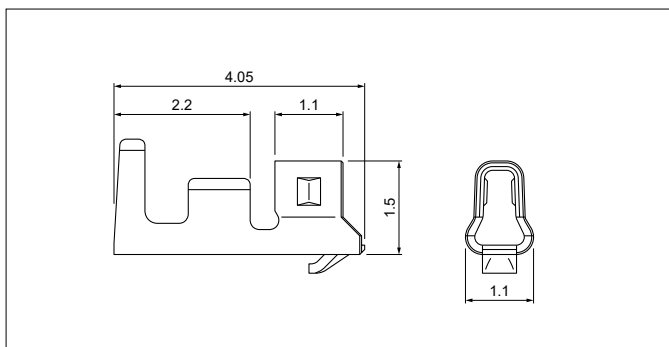
No. of circuits	Model No.		Dimensions (mm)		Q'ty/box
	Gray	Yellow	A	B	
9	09CZ-6H	09CZ-6Y	12	15	1,000
11	11CZ-6H	11CZ-6Y	15	18	1,000

Material and Finish

Contact: Phosphor bronze, tin-plated (reflow treatment)
Housing: Glass-filled PA 66, UL94V-0

RoHS2 compliance

CZH connector Socket



Model No.	Applicable wire		Insulation O.D. (mm)	Q'ty/reel
	mm ²	AWG#		
SCZH-002T-P0.5	0.08~0.13	28~26	0.8~1.1	13,000

Material and Finish

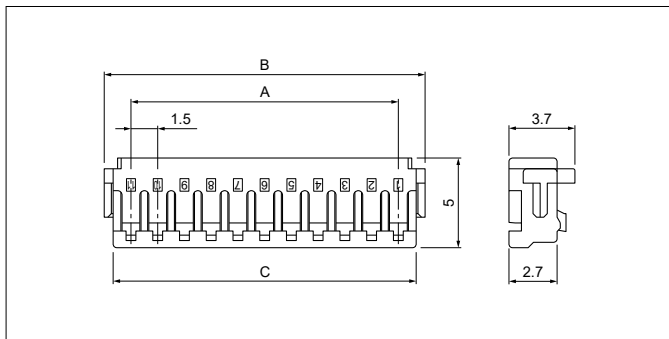
Phosphor bronze, tin-plated

RoHS2 compliance

Contact	Crimping machine	Applicator		
		Crimp applicator	Dies	Crimp applicator with dies
SCZH-002T-P0.5	AP-K2N	MKS-L	MK/SCZH-002-05	APLMK SCZH002-05

Note: Contact JST for fully automatic crimping applicator.

CZ connector Housing



No. of circuits	Model No.	Dimensions (mm)			Q'ty/box
		A	B	C	
9	CZHR-09V-S	12	15	14	1,000
11	CZHR-11V-S	15	18	17	1,000

Material and Finish

PBT, UL94-0, natural (white)

RoHS2 compliance