

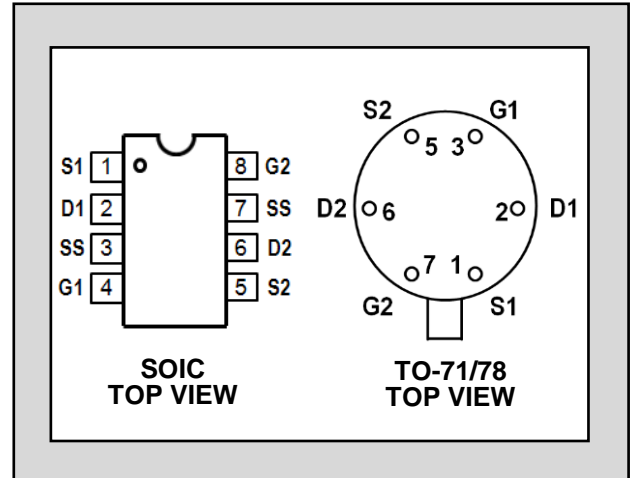
LINEAR SYSTEMS

Twenty-Five Years Of Quality Through Innovation

LS840 LS841 LS842

LOW NOISE LOW DRIFT
LOW CAPACITANCE
MONOLITHIC DUAL
N-CHANNEL JFET AMPLIFIER

FEATURES	
LOW NOISE	$e_n=8nV/Hz$ TYP.
LOW LEAKAGE	$I_G=10pA$ TYP.
LOW DRIFT	$ V_{GS1-2}/T = 5\mu V/^\circ C$ max.
LOW OFFSET VOLTAGE	$ V_{GS1-2} = 2mV$ TYP.
ABSOLUTE MAXIMUM RATINGS ¹ @ 25°C (unless otherwise noted)	
Maximum Temperatures	
Storage Temperature	-55°C to +150°C
Operating Junction Temperature	-55°C to +150°C
Maximum Voltage and Current for Each Transistor ¹	
-V _{GSS}	Gate Voltage to Drain or Source 60V
I _{G(f)}	Gate Forward Current 10mA
Maximum Power Dissipation	
Device Dissipation ² @ Free Air - Total	400mW T _A =+25°C

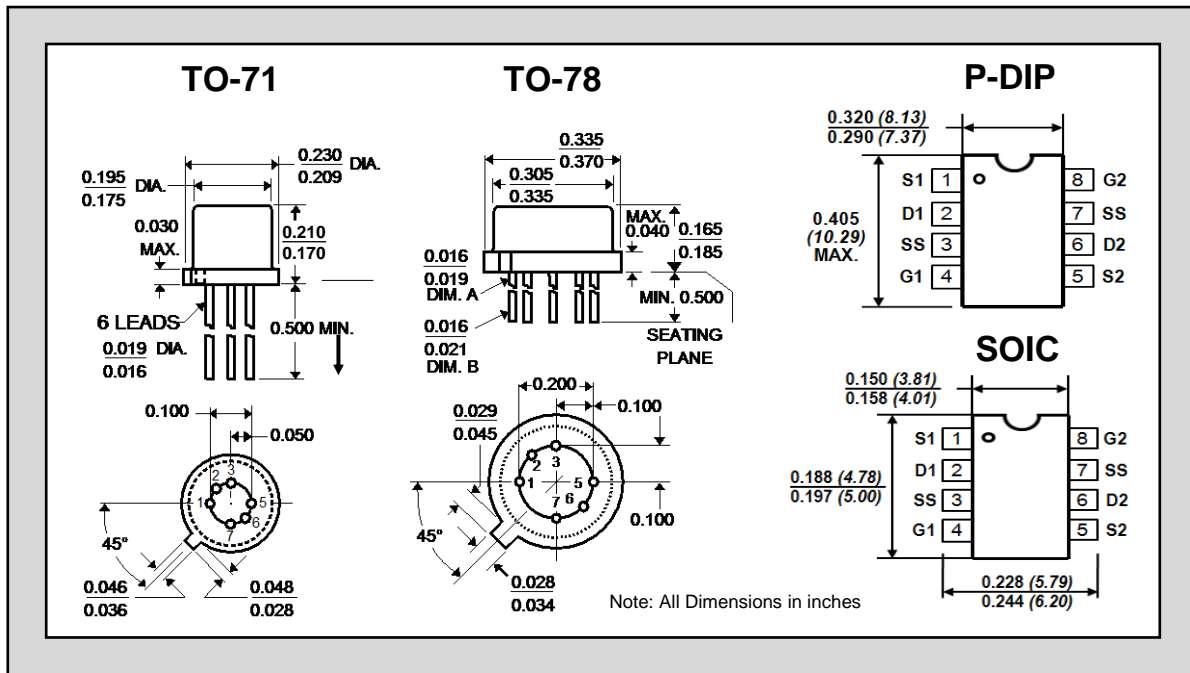


ELECTRICAL CHARACTERISTICS @ 25°C (unless otherwise noted)

SYMBOL	CHARACTERISTIC	LS840	LS841	LS842	UNITS	CONDITIONS
$ V_{GS1-2}/T $ max.	Drift vs. Temperature	5	10	40	$\mu V/^\circ C$	$V_{DG} = 20V$ $I_D = 200\mu A$ $T_A = -55^\circ C$ to $+125^\circ C$
$ V_{GS1-2} $ max.	Offset Voltage	5	10	25	mA	$V_{DG} = 20V$ $I_D = 200\mu A$

SYMBOL	CHARACTERISTIC ³	MIN.	TYP.	MAX.	UNITS	CONDITIONS
BV _{GSS}	Breakdown Voltage	-60	--	--	V	$V_{DS} = 0$ $I_D = -1nA$
BV _{GGO}	Gate-to-Gate Breakdown	± 60	--	--	V	$I_{GGO} = \pm 1\mu A$ $I_D = 0$ $I_S = 0$
TRANSCONDUCTANCE						
G _{fss}	Full Conduction	1000		4000	μS	$V_{DG} = 20V$ $V_{GS} = 0$ $f = 1kHz$
G _{fs}	Typical Conduction	500		1000	μS	$V_{DG} = 20V$ $I_D = 200\mu A$
G _{fs1} ⁴ G _{fs2}	Mismatch Transconductance Ratio	0.97		1.0		
DRAIN CURRENT						
I _{DSS}	Full Conduction	0.5	2	5	mA	$V_{DG} = 20V$ $V_{GS} = 0$
I _{DSS1} ⁴ I _{DSS2}	Drain Current Ratio	0.95		1.0		
GATE-SOURCE						
V _{GS(off)}	Pinchoff Voltage	-1	-2	-4.5	V	$V_{DS} = 20V$ $I_D = 1nA$
V _{GS}	Operating Range	-0.5	--	-4	V	$V_{DS} = 20V$ $I_D = 200\mu A$
GATE CURRENT						
-I _G	Operating	--	10	50	pA	$V_{DG} = 20V$ $I_D = 200\mu A$
-I _G	High Temperature	--	--	50	nA	$V_{DG} = 20V$ $I_D = 200\mu A$ $T_A = +125^\circ C$
-I _G	Reduced VDG	--	5	--	pA	$V_{DG} = 10V$ $I_D = 200\mu A$
-I _{GSS}	At Full Conduction	--	--	100	pA	$V_{DG} = 20V$ $V_{DS} = 0$

SYMBOL	CHARACTERISTIC	MIN.	TYP.	MAX.	UNITS	CONDITIONS
	OUTPUT CONDUCTANCE					
G_{oss}	Full Conduction	--	--	10	μS	$V_{DG}=20V$ $V_{GS}=0$
G_{os}	Operating	--	0.1	1	μS	$V_{DG}=20V$ $I_D=200\mu A$
$ G_{os1-2} $	Differential	--	0.01	0.1	μS	
	COMMON MODE REJECTION					
CMRR	$-20 \log V_{GS1-2}/V_{DS} $	--	100	--	dB	$V_{DS}=10$ to $20V$ $I_D=200\mu A$
CMRR		--	75	--	dB	$V_{DS}=5$ to $10V$ $I_D=200\mu A$
	NOISE					
NF	Figure	--	--	0.5	dB	$V_{DS}=20V$ $V_{GS}=0$ $R_G=10M$ $f=100Hz$ $NBW=6Hz$
e_n	Voltage	--	--	10	nV/Hz	$V_{DS}=20V$ $I_D=200\mu A$ $f=1KHz$ $NBW=1Hz$
e_n	Voltage	--	--	15	nV/Hz	$V_{DS}=20V$ $I_D=200\mu A$ $f=10Hz$ $NBW=1Hz$
	CAPACITANCE					
C_{ISS}	Input	--	4	10	pF	$V_{DS}=20V$ $I_D=200\mu A$
C_{RSS}	Reverse Transfer	--	1.2	5	pF	
C_{DD}	Drain-to-Drain	--	0.1	--	pF	$V_{DG}=20V$ $I_D=200\mu A$



NOTES:

1. These ratings are limiting values above which the serviceability of any semiconductor may be impaired
2. Derate 4mW/°C above 25°C
3. All MIN/TYP/MAX limits are absolute numbers. Negative signs indicate electrical polarity only.
4. Assumes smaller number in the numerator.

Information furnished by Linear Integrated Systems is believed to be accurate and reliable. However, no responsibility is assumed for its use; nor for any infringement of patents or other rights of third parties which may result from its use. No license is granted by implication or otherwise under any patent or patent rights of Linear Integrated Systems.

Linear Integrated Systems (LIS) is a 25-year-old, third-generation precision semiconductor company providing high-quality discrete components. Expertise brought to LIS is based on processes and products developed at Amelco, Union Carbide, Intersil and Micro Power Systems by company President John H. Hall. Hall, a protégé of Silicon Valley legend Dr. Jean Hoerni, was the director of IC Development at Union Carbide, Co-Founder and Vice President of R&D at Intersil, and Founder/President of Micro Power Systems.