

Data Sheet VSC7130

Dual Repeater/Retimer
for Fibre Channel and Gigabit Ethernet

Features

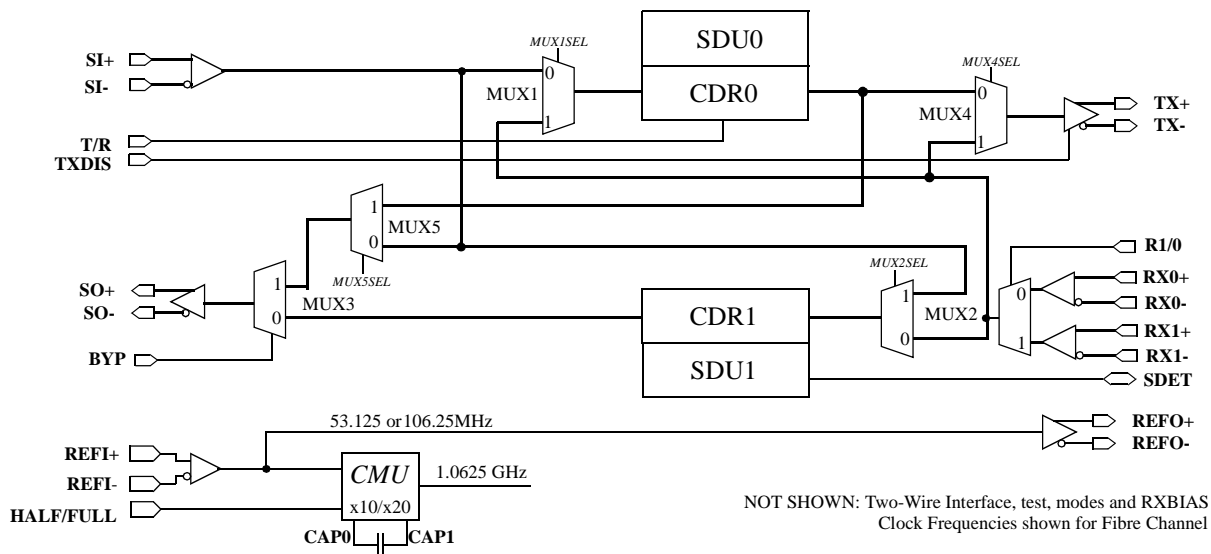
- Used in Switches, Hubs, GBICs, MIAs and JBODs
- ANSI T11 Fibre Channel Compliant at 1.0625Gb/s
- IEEE 802.3z Gigabit Ethernet Compliant at 1.25Gb/s
- Dual Clock and Data Recovery Units Configurable as Repeaters or Retimers
- Two-Wire Serial Communications Port for Control and Status
- Combined Analog/Digital Signal Detect Units
- 1/10th or 1/20th Baud Rate TTL/PECL Reference Clock Input and PECL Output
- Bidirectional Analog/Digital Signal Detect
- 3.3V, 850mW Power Typical
- 64-pin, 10x10x1.0mm TQFP Package
- Cost Effective 0.35µm CMOS Technology

General Description

The VSC7130 is used in Fibre Channel (1.0625Gb/s) and Gigabit Ethernet (1.25Gb/s) systems to provide bidirectional Clock and Data Recovery (CDR) to ensure standards compliance at critical systems interfaces. As protocol ASICs integrate multiple SerDes functions, the ASICs tend to be located far from interface connectors which results in signal degradation and difficulty in meeting industry-standard signal quality specifications. The VSC7130 provides a low-cost, easy-to-use solution to this problem by ensuring standards-compliant signal quality at system interfaces. Additional circuitry implements an FC-AL Hub node.

The VSC7130 provides a pair of bidirectional CDRs which can be configured as either repeaters or retimers or bypassed altogether. Internal system data is recovered and retransmitted with standards-compliant signal quality at the connector. External receive data from the connector is recovered and retransmitted to the internal system with increased amplitude and attenuated jitter. An optional Two-Wire Interface allows robust configuration control and status monitoring of the device in order to enhance operation.

VSC7130 Block Diagram



Applications

Several Fibre Channel and Gigabit Ethernet applications can use the VSC7130. Configuration changes between different applications are accomplished with mode pins and the Two-Wire Interface. **SI**+/- and **SO**+/- are normally connected to the duplex interface from the system while **TX**+/- and **RX0**+/- or **RX1**+/- are connected to the external link through a connector or optical transceiver. Redundant receive inputs are provided in order to optimize layouts with copper connectors or optical modules. CDR0 improves the signal quality of **SI** and retransmits the data on **TX**. CDR1 improves signal quality of **RX0** or **RX1** and retransmits recovered data to **SO**.

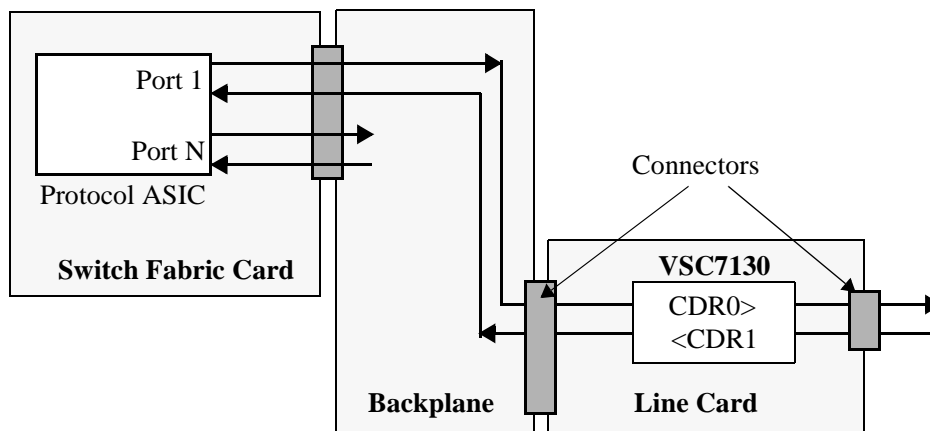
In this document, the term “Repeater” will be used for a clock and data recovery function (CDR) where the recovered serial data is retransmitted synchronously to the recovered clock. Unlike standard PLL-based CDRs, this circuit is all-digital which results in good jitter tolerance, excellent jitter transfer and low latency in a circuit which performs identically across process, voltage and temperature.

The term “Retimer” is used for a CDR which retransmits the recovered serial data synchronously to the local reference clock. This complex CDR function eliminates jitter transfer at the expense of latency. Due to the potential mismatch between the baud rate of the incoming data and the local reference clock (i.e. +/-100ppm), an add/drop elasticity buffer is needed to insert/delete Ordered Sets to match this rate difference. The data which is added/dropped must meet Fibre Channel protocol specifications. By eliminating jitter transfer, standards compliance is ensured. The retimer function is not available for Gigabit Ethernet.

Multi-Node Switch

One application for the VSC7130 is in high port-count Fibre Channel and Gigabit Ethernet systems such as switches. Figure 1 shows a switch with a CMOS protocol ASIC with integrated Serializer/Deserializers located on the Switch Fabric card. Serial data from the protocol ASIC passes through multiple connectors and long traces on the PCB before reaching the connector. Without the VSC7130, the signal quality at the connectors would result in poor system performance. However, by using the VSC7130, signal quality is improved to meet the specifications of Fibre Channel and Gigabit Ethernet at the system interface connectors.

Figure 1: Fibre Channel or Gigabit Ethernet Switch



Data Sheet VSC7130

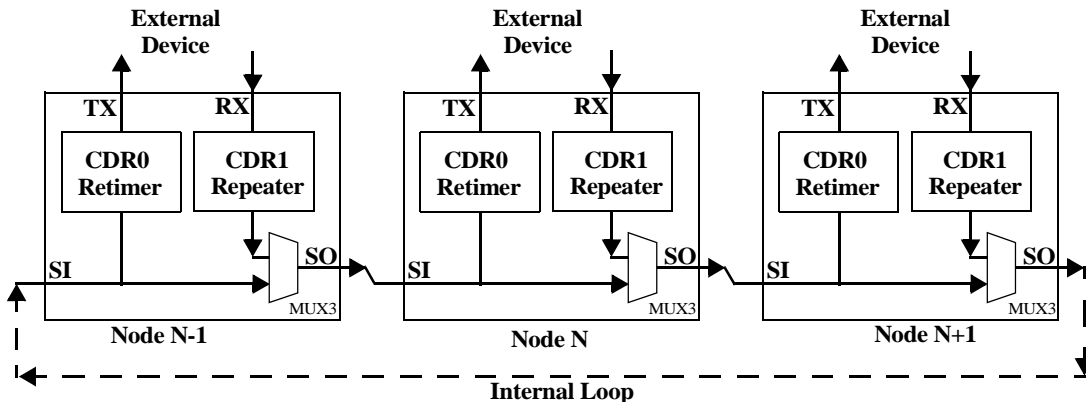
Dual Repeater/Retimer
for Fibre Channel and Gigabit Ethernet

Fibre Channel Hub

The VSC7130 may be used as a single node in a Fibre Channel Arbitrated Loop Hub. In this application, incoming data on **RX** goes through a repeater (CDR1) which reduces jitter. The data is then output on **SO** to the next hub node. Incoming data from the previous hub node on **SI** goes through CDR0 which is configured as a retimer to eliminate any jitter generated inside the Hub. A bypass multiplexer (MUX3) is used to bypass nodes which do not have active devices connected. The signal detection circuitry identifies valid data at **RX** in order to control the configuration of MUX3. The **BYP** pin may be connected via an inverter to **SDET**, **BYP** may be controlled externally or MUX3 may be controlled via the Two-Wire Interface.

Access to internal registers through the Two-Wire Interfaces allows numerous features required by sophisticated managed Hubs such as Ordered Set Recognition, Ordered Set Generation and simple traffic monitoring.

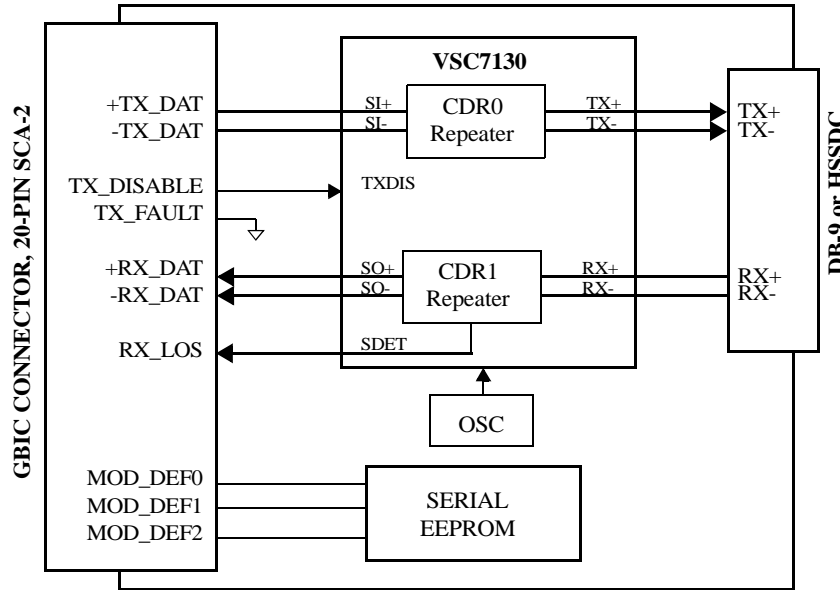
Figure 2: Fibre Channel Arbitrated Loop Hub



Optical/Electrical Transceiver (GBIC)

As a dual repeater, the VSC7130 may provide the functions required on an Optical/Electrical transceiver such as an Optical or an active copper Gigabit Interface Converter (GBIC). In this application, outgoing data from a system goes through CDR0 which can be configured as either a repeater or a retimer. Incoming data passing through repeater CDR1 is transferred to the system. This function implements the critical circuits in an active GBIC including **RX_LOS**.

Figure 3: Active Copper GBIC Module



Functionality

Note this datasheet does not completely describe the VSC7130. A companion document, the *VSC7130 User's Manual* describes additional applications issues and goes into great depth regarding the Two-Wire Interface and internal register operation.

Notation

All I/O pin names are in **bold**. All register bit names are *italicized*. Differential signals can be identified individually, e.g., **I0+** and **I0-**, or together, e.g., **I0**. Signals and circuits which are repeated are generically named using an 'x' to denote "any channel", e.g., **TXx** for any Transmit pins. All registers are identified by underlining, e.g., CDRxC and the address for each referenced register will be listed immediately following the register name (i.e. CDRxC-20h).

Clock Multiplier Unit and Reference Clock

A reference clock is needed for the clock multiplier unit (CMU) in order to generate the internal baud rate clock. The VSC7130 is used for both Fibre Channel (1.0625Gb/s) and Gigabit Ethernet (1.25Gb/s) applications. The **HALF/FULL** signal indicates whether the reference clock is 1/20th of the baud rate (HIGH) or 1/10th of the baud rate (LOW). Table 1 indicates the valid combinations of the **HALF/FULL** signal and reference clock frequency. Combinations not listed in the table will result in abnormal functionality.

Table 1: Reference Clock Frequency Selection

HALF / FULL Pin	Frequency (MHz)	Application
HIGH	53.125	Fibre Channel @ 1.0625Gb/s
LOW	106.25	Fibre Channel @ 1.0625Gb/s
HIGH	62.5	Gigabit Ethernet @ 1.25Gb/s
LOW	125.0	Gigabit Ethernet @ 1.25 Gb/s
All Other Combinations		Not Allowed.

Data Sheet VSC7130

Dual Repeater/Retimer for Fibre Channel and Gigabit Ethernet

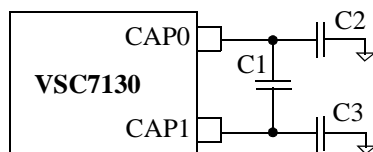
Implementing reference clock distribution in multi-node systems can be difficult and expensive if optimal signal quality is to be achieved. In order to reduce this burden, the VSC7130 has a flexible reference input buffer which can be either single-ended TTL, or differential PECL. If single-ended TTL, **REFI+** should be connected to the clock source and **REFI-** should be left unconnected. **REFI-** is biased to $V_{DD}/2$ for TTL thresholds. If a PECL source is used, connect the positive side to **REFI+** and the negative side to **REFI-**. In order to provide the reference clock to multiple devices, a reference clock output, **REFO+/-**, is provided which is just a PECL buffered version of **REFI+/-**. In this way, multiple VSC7130s may be daisy chained together with the **REFO** driving the **REFI** of the next device. When **REFO** is driving **REFI**, a 100Ω resistor should be connected between **REFI+** and **REFI-**.

The reference clock is used by the clock multiplier unit (CMU) in order to generate the internal baud rate clock. In order to maximize signal quality of the **TX** and **SO** outputs, the **REFI** input should be of the highest quality possible with sharp edges and low jitter. Duty cycle distortion is not very important since only the rising edge of **REFI** is used. The CMU is a high performance analog PLL which multiplies the reference clock frequency by 20 or 10 depending on **HALF/FULL**.

The on-chip PLL uses a single external 0.1μF capacitor, connected between **CAP0** and **CAP1**, to control the Loop Filter. This capacitor should be a multilayer ceramic dielectric, or better, with at least a 5V working voltage rating and a good temperature coefficient, i.e. NPO is preferred but X7R is acceptable. These capacitors are used to minimize the impact of common mode noise on the CMU, especially power supply noise. Higher value capacitors provide better robustness in systems. NPO is preferred because if an X7R capacitor is used, the power supply noise sensitivity will vary with temperature. For best noise immunity, the designer may use a three capacitor circuit with one differential capacitor between **CAP0** and **CAP1**, C1, a capacitor from **CAP0** to ground, C2, and a capacitor from **CAP1** to ground, C3. Larger values are better but 0.1μF is adequate. However, if the designer cannot use a three capacitor circuit, a single differential capacitor, C1, is adequate. These components should be isolated from noisy traces. Figure 4 is the recommended Loop filtering scheme.

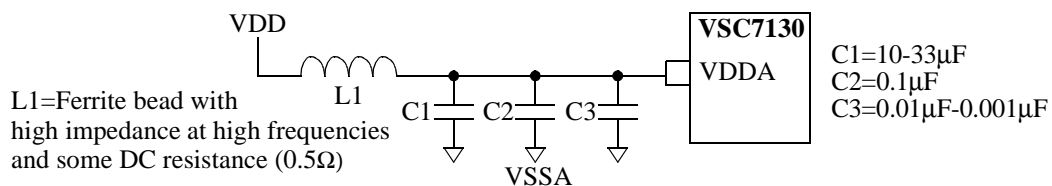
Separate power (**VDDA**) and ground (**VSSA**) are provided in order to allow a separately filtered power supply to reduce noise. Figure 5 is the recommended **VDDA** filtering scheme.

Figure 4: Loop Filter Capacitors (Recommended Circuit)



C1=C2=C3= >0.1μF
MultiLayer Ceramic
Surface Mount
NPO (Preferred) or X7R
5V Working Voltage Rating

Figure 5: VDDA Filtering (Recommended Circuit)



L1=Ferrite bead with high impedance at high frequencies and some DC resistance (0.5Ω)

C1=10-33μF
C2=0.1μF
C3=0.01μF-0.001μF

Input and Output Buffers, Analog Signal Detection, Cable Equalization

The **RX0+/-**, **RX1+/-** and **SI+/-** differential inputs are high performance input buffers which amplify the incoming signal. Furthermore, a cable equalization circuit is included in the input buffer which accentuates high frequency signals in order to compensate for the high frequency loss found in copper cables and traces. This cable equalization circuit enhances the ability of the VSC7130 to reliably receive serial inputs which have been degraded with jitter. The **RX1+/-** input buffer also includes an analog signal detection circuit which has adjustable thresholds set by the external **RXBIAS** pin (see Figure 9). The output of this signal is processed further in the Signal Detection circuitry described elsewhere, as well as selectable threshold levels which are selected with the **RXBIAS** input.

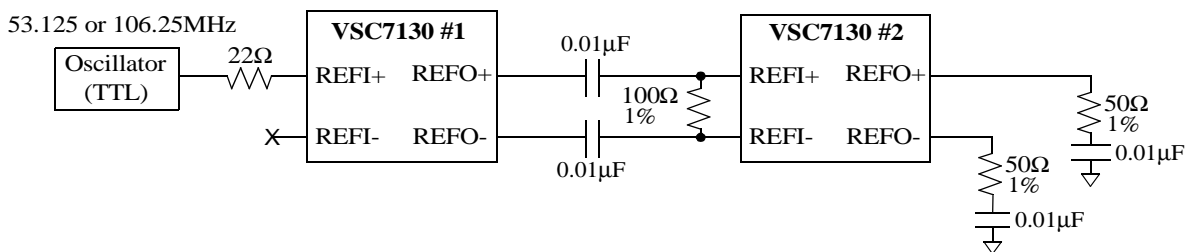
If the Two-Wire Interface is not used, **R1/0** directly controls the **RX0** and **RX1** input buffers and Cable Equalization is enabled in **SI**, **RX0** and **RX1**. If the Two-Wire Interface is used, microcontroller control allows enabling or disabling of the cable equalization circuit.

Please refer to the *VSC7130 User's Manual* for a more complete description of the input and output buffer controls and cable equalization controls.

High-Speed I/O Termination Schemes

The high-speed I/O lines for the VSC7130 require the standard Vitesse 1Gb/s CMOS device termination schemes. Please refer to the *Termination for 1Gb/s CMOS Devices Application Note (AN-54)* for VSC7130 **RX** and **TX** termination schemes. When using the **REFI+/-** and **REFO+/-** pins on the VSC7130 in daisy-chained clock applications, specific termination must be implemented. If the **REFO+/-** pins of one VSC7130 are to be routed to the **REFI+/-** pins of a second VSC7130, 50Ω single-ended (100Ω differential) traces should be used. AC coupling caps should be placed between the two VSC7130s. Additionally, a 100Ω 1% termination resistor should be placed between the **REFI+** and **REFI-** lines of the second VSC7130. This termination resistor should be located as close to the **REFI+/-** pins as possible. Figure 6 shows the recommended termination and components when using the VSC7130's **REFI** and **REFO**.

Figure 6: REFI and REFO Recommended Termination



Data Sheet VSC7130

Dual Repeater/Retimer
for Fibre Channel and Gigabit Ethernet

Clock and Data Recovery (CDR)

Two Clock and Data Recovery Units (CDR) are included in the VSC7130 in order to improve signal quality of serial data by amplification and jitter attenuation. Figure 7 shows a block diagram of each CDR with its corresponding Signal Detect Unit (SDU). Table 2 shows how each CDR may be configured as either a repeater or a retimer using the **MODE0**, **MODE1** and **T/R** pins or via the Two-Wire Interface by programming the *MODEDIS*, *T/RDIS* and *ITRx* register bits.

Figure 7: CDRx/SDUx Block Diagram

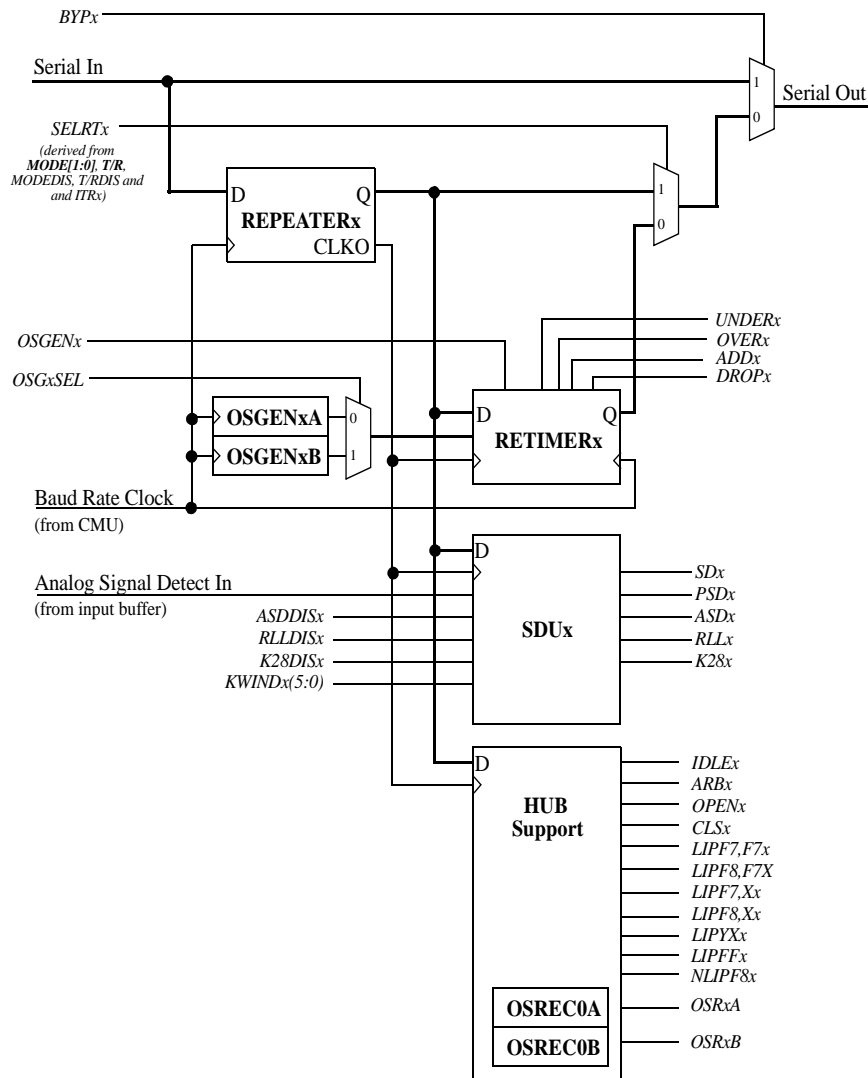


Table 2: CDRx Repeater/Retimer Configuration

MODE1 Pin	MODE0 Pin	T/R Pin	CDR1	CDR0
0	0	0	Repeater (<i>SELRT1=1</i>)	Repeater (<i>SELRT0=1</i>)
		1	Repeater (<i>SELRT1=1</i>)	Retimer (<i>SELRT0=0</i>)
0	1	0	Repeater (<i>SELRT1=1</i>)	Repeater (<i>SELRT0=1</i>)
		1	Repeater (<i>SELRT1=1</i>)	Retimer (<i>SELRT0=0</i>)
1	0	n/a	Bypass	Bypass and power down
		n/a	Bypass	Bypass and power down
1	1	0	Retimer (<i>SELRT1=0</i>)	Repeater (<i>SELRT0=1</i>)
		1	Retimer (<i>SELRT1=0</i>)	Retimer (<i>SELRT0=0</i>)

The *SELRT_x* signal determines whether the repeater or retimer output is selected, as shown in Figure 4.

The *MODEDIS* register bit (CHIPCA-01h, bit 7) and the *T/RDIS* register bit (CHIPCA-01h, bit 4) can be used to disable the pin controls defined in Table 2 for selecting repeater or retimer mode for each CDR unit. For CDR0, if the *MODEDIS* and *T/RDIS* bits are both set, the *ITR0* register bit (CDR0C-20h, bit 4) will control the repeater/retimer selection. For CDR1, only the *MODEDIS* register bit needs to be set in order to use *ITR1* (CDR1C-28h, bit 4) to control the repeater/retimer selection. A HIGH in *ITRx* selects repeater mode, and a LOW selects retimer mode.

Normally, the **SI** input passes through MUX1 to the input of CDR0 whose output is transmitted on **TX+/-** if **TXDIS** is LOW. If **TXDIS** is HIGH, **TX+** and **TX-** will be HIGH. Similarly, the **RX** input normally passes through MUX2, CDR1 and MUX3 to the **SO** output.

Retimer Operation

NOTE: Retimer operation is only used for Fibre Channel data at 1.0625Gb/s. Do not use Retimer mode unless the incoming data is Fibre Channel or follows the Ordered Set structure defined by Fibre Channel. Failure to do so will result in data corruption.

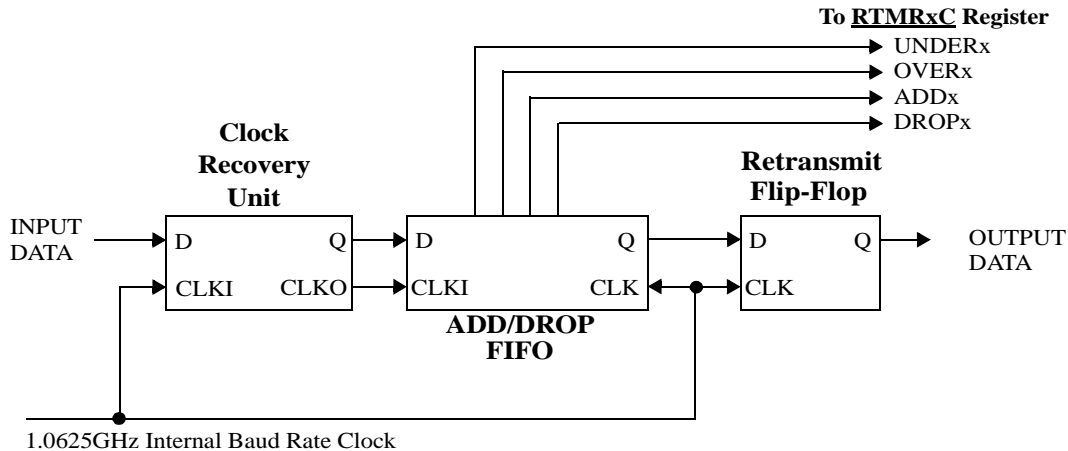
When CDRx is configured as a Retimer, recovered data is resynchronized to an internally generated baud rate clock derived from the **REFI**. This prevents jitter at the inputs from transferring to the outputs. However, incoming data is not necessarily at the same frequency as the internal baud rate clock, so special Fibre Channel Ordered Sets, called Fill Words, are added or dropped from the data stream in order to accommodate this speed difference. The rules for adding and dropping Fill Words are delineated in documents generated by the T11 committee: FC-PH, FC-PH2, FC-PH3, FC-AL, FC-AL2 and FC-AL3. The VSC7130 is compliant with these rules.

A detailed block diagram of the Retimer is shown in Figure 8. Incoming data goes into a CRU where the data is recovered and resampled. Recovered data and recovered clock are sent to the Add/Drop FIFO where the data is stored using the recovered clock. Data is removed from the Add/Drop FIFO and resynchronized by the Retransmitting Flip-Flop using the internally generated baud rate clock derived from **REFI**. The output of the Flip-Flop is recovered serial data which is synchronous to the low-jitter baud rate clock and complies with all jitter specifications for Fibre Channel.

Data Sheet VSC7130

Dual Repeater/Retimer
for Fibre Channel and Gigabit Ethernet

Figure 8: Retimer Block Diagram



The internally generated baud rate clock (nominally 1.0625GHz) is used by the Retimer for several functions. First, it provides the timing reference for the CRU. Second, it clocks data out of the FIFO. Third, it retimes the retransmitted output data. The quality of the baud rate clock will impact the jitter tolerance of the Clock Recovery Unit and the jitter generation of the Retransmitter Flip-Flop. The signal quality of the internally generated baud rate clock is directly related to jitter on REFI and power supply noise. The user is encouraged to minimize both REFI jitter and power supply noise in order to maximize jitter tolerance at the input and minimize jitter generation at the output.

In the Add/Drop FIFO, a phase detector monitors the phase difference between the recovered clock and the internally generated baud rate clock to determine when to add or drop Fill Words. Fill Words can only be added/dropped between packets following the rules delineated by the Fibre Channel Specifications mentioned previously.

The retimer has two outputs indicating whether it is adding (*ADD_x*) or dropping (*DROP_x*) ordered sets from the serial stream in order to perform rate matching between the incoming serial data and the local reference clock. The retimer also has an output (*OVER_x*) indicating that an overrun condition has occurred when an order set which needed to be dropped was not able to be dropped. Similarly, underrun errors are reported when a Fill Word which needed to be added was not able to be added.

Please refer to the *VSC7130 User's Manual* for more information regarding retimer operation and associated register controls.

Signal Detection

Associated with each CDR is a Signal Detect Unit (SDU) which is used to determine if a valid Fibre Channel signal is present at the CDR. Each SDU employs three independent checks to qualify the signal as valid: K28.5- primitive detection, Run-Length-Limit (RLL) error detection and K28.5- density checking. In addition, when the **RX1** input pair is selected for input (instead of **RX0**), SDU1 also uses the Analog Signal Detect (ASD) circuit associated with the **RX1** input pair as an additional signal detect qualification.

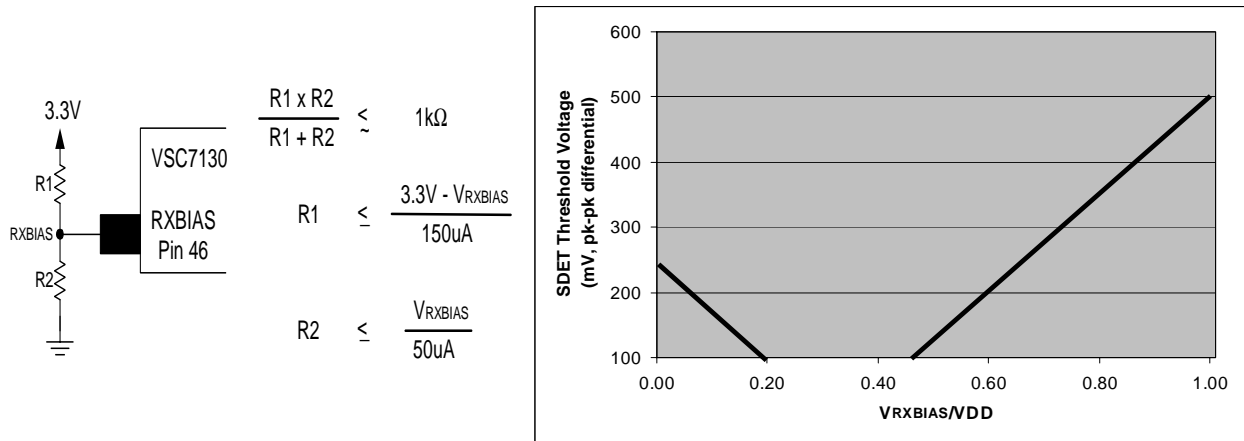
Signal Detect assertions and deassertions are triggered by different conditions observed by the VSC7130 on the incoming serial data signal. Signal Detect assertions are triggered only when two consecutive valid Fibre

Channel primitives containing K28.5- characters are received. Once Signal Detect is asserted, there are several conditions which can result in the deassertion of Signal Detect: (1) An RLL error (a violation of 8B/10B coding rules in which there are more than five consecutive zeros or ones in the data stream), (2) no K28.5- character seen for one density window time (defaults to apx. 77 microseconds, but can be modified using the Two-Wire Interface to write to the **KWINDx-25h/2Dh** register), or (3) an invalid signal level detected by the Analog Signal Detect circuit (only applies to SDU1 when the **RX1** input is selected).

The Analog Signal Detect circuit is used to ensure that the signal amplitude presented to the **RX1** input pair is high enough to be considered valid. Analog transition detection is performed on the input to verify that the signal swings are of adequate amplitude. The **RX1+/-** input buffer contains a differential voltage comparator which has adjustable thresholds set by the external **RXBIAS** pin (see Figure 9). If the Two-Wire Interface is being used, the Analog Signal Detect check for SDU1 can also be disabled by setting the **ASDDIS1** register bit (**SDU1C-29h**, bit).

Figure 9 shows an approximation to the Analog Signal Detect thresholds which can be obtained with biasing resistors or another voltage reference source to the **RXBIAS** pin.

Figure 9: VSC7130 RXBIAS Equations and Graph



1. From the graph find the optimal SDET trip threshold for your system. It is recommended that the rising edge of the graph be used unless pulling **RXBIAS** to ground via a 1kΩ resistor.
2. From the SDET threshold, determine the voltage level for **RXBIAS** from V_{RXBIAS}/VDD . In most systems, VDD is assumed to be 3.3V and V_{RXBIAS} is the voltage seen at the **RXBIAS** pin.
3. Use the equations to determine the resistance values for R1 and R2. The use of 1% resistors for R1 and R2 is recommended. Other regulated voltage sources may be used as long as the minimal current is provided.

Data Sheet
VSC7130*Dual Repeater/Retimer
for Fibre Channel and Gigabit Ethernet***Hub Support**

Several functions are provided in the CDRx/SDUx circuitry to support FC-AL Hubs. Two programmable 40-bit registers are available to generate data on **TX** or **SO**, allowing simple 40-bit patterns to be generated easily. Monitoring of the serial data out of the repeater provides the user with information concerning data content of packets as they are received. Many FC-AL ordered sets are detected (all ARBs, IDLE, all LIPs, all CLS and all OPENS). Furthermore, two 40-bit registers/comparators are provided to allow the user to identify when user programmable patterns occur in the data. One use of these would be to monitor for the presence of ordered sets defined after release of this product.

Please refer to the *VSC7130 User's Manual* for a more complete description of the ordered set generation and recognition capabilities and associated register controls.

Performance Monitoring

In order to determine the relative traffic on the link, a 32-bit counter is provided which increments on each occurrence of an ARB ordered set or an IDLE ordered set. By reading this counter periodically, the relative traffic on the link can be calculated.

Please refer to the *VSC7130 User's Manual* for a more complete description of the performance monitoring capabilities and associated register controls.

Power-On-Reset

The VSC7130 has an internal Power-On-Reset circuit to provide approximately one millisecond delay after power up during which all Two-Wire accessible registers are reset. An alternate method for resetting the device is available. If **TEST0** and **A4** are LOW, the device is reset. Connect an active LOW Reset signal to **TEST0** and **A4** if it would be HIGH during normal operation. When the reset input is LOW, the alternative reset method is activated. When the reset input is HIGH, **TEST0** and **A4** assume their normal value.

Two-Wire Interface

An industry-standard Two-Wire Interface is provided to allow user access to internal control and status. Use of the interface is optional. **SCL** is the serial interface clock running at up to 400kHz when used with readily available microcontrollers. **SDA** is a bidirectional data signal. **A4** and **A3** selects the group address of the device while **A2-A0** set the address. **TWI** and **TWO** are used to serially configure the address of daisy-chained devices in order to accommodate large numbers of devices on each Two-Wire Interface link. **INT#** is an open drain output used to signal an interruptible event to the microcontroller.

Please refer to the *VSC7130 User's Manual* for a more complete description of this interface, including timing diagrams.

Proprietary Interface

If higher performance than 400kHz is required, a proprietary mode may be used. In this mode, the **SCL** clock can operate at a maximum speed of 6.25MHz. Due to the speed of this link, significant electrical limitations may be placed on the link which will restrict trace lengths, the number of daisy-chained devices and the use of multiple masters.

The Verilog code for the Master Controller in proprietary mode will be made available to customers in order to ensure compatibility. This Master Controller core is designed to use either a 25MHz or a 50MHz clock to generate a 6.25MHz **SCL** clock frequency with a 25% high, 75% low duty cycle (1 clock high, 3 clocks low at 25MHz). Slower clock frequencies are also allowable.

When using the Proprietary High-Speed mode of the Two-Wire Interface, all other interface functionality is identical to the standard Two-Wire Interface with the exception that the interface timing has changed.

Interrupt Circuitry

Interrupts are available only when the Two-Wire Interface is used, otherwise **INT#** will be disabled. The **INT#** output is open-drain so an external pull-up resistor is needed to allow the output to achieve a valid TTL or CMOS HIGH level. Multiple **INT#** outputs can be wire ORed together. **INT#** is a glitchless signal which is synchronized to divide-by-32 **REFO** clock. The output of the interrupt controller prior to the output buffer is readable in the **INTOUT** register bit, bit 2 of the **CHIPS-00h** register.

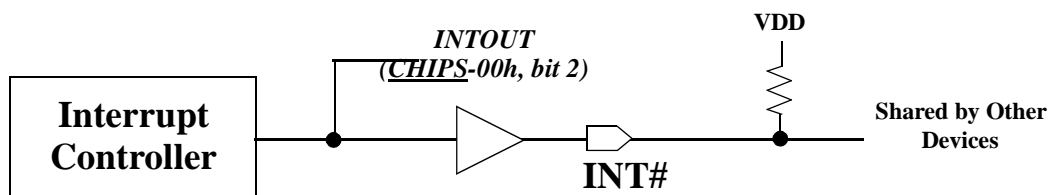
The VSC7130 is capable of managing several different kinds of internal interrupt conditions. Each interrupt source can be enabled independently using the registers accessible via the Two-Wire Interface. When an enabled interrupt event occurs, the open-drain **INT#** output will be asserted LOW and will stay LOW until the interrupt is cleared. The register address corresponding to the highest priority pending interrupt can be read from **ISR-F8h**. This provides a relatively fast means for determining the source of the interrupt with a single register read operation.

Please refer to the *VSC7130 User's Manual* for a more complete description of the interrupt controller and its associated register controls.

Table 3: Interrupt Status Register Addresses, Priorities and Sources

Address (Hex)	Priority	Label	Function
22	1 (Highest)	<u>SDU0S</u>	SDU0 Status Register: <i>SDR0</i> (7), <i>SDF0</i> (6), <i>ASD0</i> (2), <i>RLL0</i> (1), <i>K280</i> (0)
2A	2	<u>SDU1S</u>	SDU1 Status Register: <i>SDR1</i> (7), <i>SDF1</i> (6), <i>ASD1</i> (2), <i>RLL1</i> (1), <i>K281</i> (0)
23	3	<u>RTMR0C</u>	Retimer0 Configuration Register: <i>UNDER0</i> (6), <i>OVER0</i> (4), <i>ADD0</i> (2), <i>DROP0</i> (0)
2B	4	<u>RTMR1C</u>	Retimer1 Configuration Register: <i>UNDER1</i> (6), <i>OVER1</i> (4), <i>ADD1</i> (2), <i>DROP1</i> (0)
6C	5	<u>MATCHA0</u>	Ordered Set Match Register A for CDR0: All Bits except <i>RES</i> (1)
6D	6	<u>MATCHB0</u>	Ordered Set Match Register B for CDR0: All Bits except <i>RES</i> (6)
7C	7	<u>MATCHA1</u>	Ordered Set Match Register A for CDR1: All Bits except <i>RES</i> (1)
7D	8	<u>MATCHB1</u>	Ordered Set Match Register B for CDR1: All Bits except <i>RES</i> (6)
F4	9 (Lowest)	<u>TEST4</u>	Test Register 4: <i>TESTINT</i> (4) for diagnostics

Figure 10: Block Diagram of Interrupt Output



Data Sheet

VSC7130

Dual Repeater/Retimer
for Fibre Channel and Gigabit Ethernet

Programmable Registers

A list of the programmable registers accessible by the Two-Wire Interface is shown in Table 4. This list includes the address of the register, whether it is Readable and/or Writable, if it is a source of interrupts, the register's name and function.

Table 4: Programmable Registers

Address (Hex)	Read/Write (or Clear)	Interrupt Source	Label	Function
CONFIGURATION/STATUS REGISTERS				
00	R	N	<u>CHIPS</u>	Chip Status Register
01	R/W	N	<u>CHIPCA</u>	Chip Configuration Register A
02	R/W	N	<u>CHIPCB</u>	Chip Configuration Register B
03	R/W	N	<u>CHIPCC</u>	Chip Configuration Register C
CDR0/CDR1				
20/28	R/W	N	<u>CDRxC</u>	CDRx Configuration Register
21/29	R/W	N	<u>SDUxC</u>	SDUx Configuration Register
22/2A	R/C	Y	<u>SDUxS</u>	SDUx Status Register
23/2B	R/W/C	Y	<u>RTMRxC</u>	Retimer0 Configuration Register
25/2D	R/W	N	<u>KWINDx</u>	K28.5- Signal Detect Density Window Register for SDUx
60/70	R/W	N	<u>OSGENxA0</u>	Ordered Set Generator A, Bits 39-32 for CDRx
61/71	R/W	N	<u>OSGENxA1</u>	Ordered Set Generator A, Bits 31-24 for CDRx
62/72	R/W	N	<u>OSGENxA2</u>	Ordered Set Generator A, Bits 23-16 for CDRx
63/73	R/W	N	<u>OSGENxA3</u>	Ordered Set Generator A, Bits 15-8 for CDRx
64/74	R/W	N	<u>OSGENxA4</u>	Ordered Set Generator A, Bits 7-0 for CDRx
65/75	R/W	N	<u>OSGENxB0</u>	Ordered Set Generator B, Bits 39-32 for CDRx
66/76	R/W	N	<u>OSGENxB1</u>	Ordered Set Generator B, Bits 31-24 for CDRx
67/77	R/W	N	<u>OSGENxB2</u>	Ordered Set Generator B, Bits 23-16 for CDRx
68/78	R/W	N	<u>OSGENxB3</u>	Ordered Set Generator B, Bits 15-8 or CDRx
69/79	R/W	N	<u>OSGENxB4</u>	Ordered Set Generator B, Bits 7-0 for CDRx
6C/7C	R/C	Y	<u>MATCHAx</u>	Match Register A for CDRx
6D/7D	R/C	Y	<u>MATCHBx</u>	Match Register B for CDRx
6E/7E	R/W	N	<u>MATIEAx</u>	Match Interrupt Enable Register A for CDRx
6F/7F	R/W	N	<u>MATIEBx</u>	Match Interrupt Enable Register B for CDRx
80/90	R/W	N	<u>OSRECA0</u>	Ordered Set Recognition Register A, Bits 39-32 for CDRx
81/91	R/W	N	<u>OSRECA1</u>	Ordered Set Recognition Register A, Bits 32-24 for CDRx
82/92	R/W	N	<u>OSRECA2</u>	Ordered Set Recognition Register A, Bits 23-16 for CDRx
83/93	R/W	N	<u>OSRECA3</u>	Ordered Set Recognition Register A, Bits 15-8 for CDRx
84/94	R/W	N	<u>OSRECA4</u>	Ordered Set Recognition Register A, Bits 7-0 for CDRx
85/95	R/W	N	<u>OSMASKxA0</u>	Ordered Set Mask Register A, Bits 39-32 for CDRx

Dual Repeater/Retimer
for Fibre Channel and Gigabit Ethernet

Data Sheet
VSC7130

Address (Hex)	Read/Write (or Clear)	Interrupt Source	Label	Function
86/96	R/W	N	<u>OSMASKxA1</u>	Ordered Set Mask Register A, Bits 31-24 for CDRx
87/97	R/W	N	<u>OSMASKxA2</u>	Ordered Set Mask Register A, Bits 23-16 for CDRx
88/98	R/W	N	<u>OSMASKxA3</u>	Ordered Set Mask Register A, Bits 15-8 for CDRx
89/99	R/W	N	<u>OSMASKxA4</u>	Ordered Set Mask Register A, Bits 7-0 for CDRx
A0/B0	R/W	N	<u>OSRECxB0</u>	Ordered Set Recognition Register B, Bits 39-32 for CDRx
A1/B1	R/W	N	<u>OSRECxB1</u>	Ordered Set Recognition Register B, Bits 32-24 for CDRx
A2/B2	R/W	N	<u>OSRECxB2</u>	Ordered Set Recognition Register B, Bits 23-16 for CDRx
A3/B3	R/W	N	<u>OSRECxB3</u>	Ordered Set Recognition Register B, Bits 15-8 for CDRx
A4/B4	R/W	N	<u>OSRECxB4</u>	Ordered Set Recognition Register B, Bits 7-0 for CDRx
A5/B5	R/W	N	<u>OSMASKxB0</u>	Ordered Set Mask Register B, Bits 39-32 for CDRx
A6/B6	R/W	N	<u>OSMASKxB1</u>	Ordered Set Mask Register B, Bits 31-24 for CDRx
A7/B7	R/W	N	<u>OSMASKxB2</u>	Ordered Set Mask Register B, Bits 23-16 for CDRx
A8/B8	R/W	N	<u>OSMASKxB3</u>	Ordered Set Mask Register B, Bits 15-8 for CDRx
A9/B9	R/W	N	<u>OSMASKxB4</u>	Ordered Set Mask Register B, Bits 7-0 for CDRx
C0/D0	R/W	N	<u>PCNT0x</u>	Performance Counter x, Bits 31-24 for CDRx
C1/D1	R/W	N	<u>PCNT1x</u>	Performance Counter x, Bits 23-16 for CDRx
C2/D2	R/W	N	<u>PCNT2x</u>	Performance Counter x, Bits 15-8 for CDRx
C3/D3	R/W	N	<u>PCNT3x</u>	Performance Counter x, Bits 7-0 for CDRx
C4/D4	R/W	N	<u>PCxCTL</u>	Performance Counter x Control Register
MISCELLANEOUS REGISTERS				
F0	-	N	<u>TEST0</u>	Test Register #0, For Factory Test Only, Do Not Access
F1	-	N	<u>TEST1</u>	Test Register #1, For Factory Test Only, Do Not Access
F2	-	N	<u>TEST2</u>	Test Register #2, For Factory Test Only, Do Not Access
F3	-	N	<u>TEST3</u>	Test Register #3, For Factory Test Only, Do Not Access
F4	R/W	Y	<u>TEST4</u>	Test Register #4, Soft Reset, TWOPOR & INT# Control Register
F5	-	N	<u>TEST5</u>	Test Register #5, For Factory Test Only, Do Not Access
F6	-	N	<u>TEST6</u>	Test Register #6, For Factory Test Only, Do Not Access
F7	R/W	N	<u>SADDR</u>	Soft ADDRESS Register
F8	R/C	N	<u>ISR</u>	Interrupt Status Register (Read, then write FFh to Clear)
FD	R	N	<u>MODEL1</u>	Model Number Register (High Byte)
FE	R	N	<u>MODEL0</u>	Model Number Register (Low Byte)
FF	R	N	<u>VER</u>	Version Register

NOTE: Please refer to the VSC7130 User's Manual for a thorough description of each register and its function.

Data Sheet VSC7130

Dual Repeater/Retimer
for Fibre Channel and Gigabit Ethernet

AC Characteristics (Over Recommended Operating Conditions)

Figure 11: AC Timing Diagrams

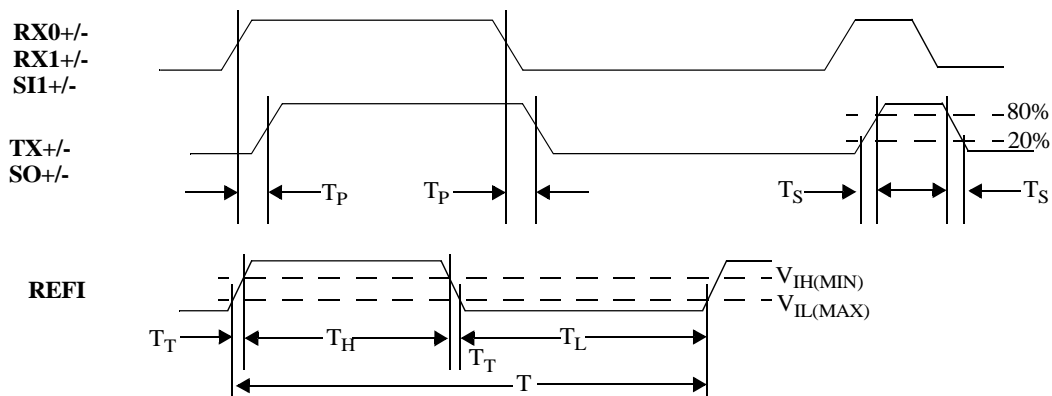


Table 5: AC Characteristics (Over recommended operating conditions)

Parameters	Description	Min	Typ	Max	Units	Conditions
T_P	Latency from any Serial Input to any Serial Output	0.25	—	8.75	ns	No Retimer in path
T_S	Differential Output Rise/Fall time	—	—	300	ps	Between 20% and 80%
$T_{J(RPTR)}$	Total data output jitter [Repeater Mode]	—	—	192	ps	Jitter Generation at TX/SO when driven by the CRU in Repeater Mode. IEEE 802.3z Clause 38.68
$T_{DJ(RPTR)}$	Serial data output deterministic jitter (p-p) [Repeater Mode]	—	—	80	ps	Jitter Generation at TX/SO when driven by the CRU in Repeater Mode. IEEE 802.3z Clause 38.68
$T_{J(RTMR)}$	Total data output jitter [Retimer Mode]	—	—	192	ps	Jitter Generation at TX/SO when driven by the CRU in Retimer Mode. IEEE 802.3z Clause 38.68
$T_{DJ(RTMR)}$	Serial data output deterministic jitter (p-p) [Retimer Mode]	—	—	80	ps	Jitter Generation at TX/SO when driven by the CRU in Retimer Mode. IEEE 802.3z Clause 38.68
T_{JTOL}	Jitter Tolerance at RX0/RX1/SI	0.24	—	—	UI	Minimum Eye Opening for proper operation as defined in MJS 8.0.
T_T	REFI input rise/fall times	—	—	1.5	ns	Between $V_{IL(MAX)}$ and $V_{IH(MIN)}$
F	REFI Frequency	105 52.5	—	126 63	MHz	HALF/FULL is LOW HALF/FULL is HIGH
F_O	Frequency Offset between incoming data and REFI .	-200	—	+200	ppm	
DC	REFI Duty Cycle	30	—	70	%	Measured at 1.5V

DC Characteristics (Over recommended operating conditions).

Parameters	Description	Min	Typ	Max	Units	Conditions
V _{IH}	Input HIGH voltage (TTL)	2.0	—	5.5	V	
V _{IL}	Input LOW voltage (TTL)	0	—	0.8	V	
I _{IH}	Input HIGH current (TTL)	—	10	110	mA	V _{IN} = 2.4V
I _{IL}	Input LOW current (TTL)	—	—	-110	mA	V _{IN} = 0.5V
V _{OH}	Output HIGH voltage (TTL)	2.4	—	—	V	I _{OH} = -1.0mA
V _{OL}	Output LOW voltage (TTL)	—	—	0.5	V	I _{OL} = +1.0mA
V _{DD}	Supply voltage	3.14	—	3.47	V	V _{DD} = 3.3V ± 5%
P _D	Power dissipation	—	850	1200	mW	Outputs open, Typical is at 3.3V, maximum is at 3.47V, highest temperature
I _{DD}	Supply current	—	260	345	mA	
ΔV _{IN} ⁽¹⁾	PECL input swing: RX0, RX1 or SI (PECL+) - (PECL-)	300	—	2200	mVp-p	AC-coupled. Internally biased at V _{DD} /2
ΔV _{OUT75} ⁽¹⁾	PECL output swing: TX or SO (PECL+) - (PECL-)	1200	—	2200	mVp-p	75Ω to V _{DD} - 2.0 V
ΔV _{OUT50} ⁽¹⁾	PECL output swing: TX or SO (PECL+) - (PECL-)	1000	—	2200	mVp-p	50Ω to V _{DD} - 2.0 V
ΔV _{IN}	PECL input REFI _±	300	—	2200	mVp-p	
ΔV _{OUT}	PECL output REFO _±	1000	—	2200	mVp-p	

NOTE (1): Refer to Application Note AN-37 for differential measurement techniques.

Absolute Maximum Ratings ⁽¹⁾

Power Supply Voltage (V _{DD})	-0.5V to +4V
PECL DC Input Voltage	-0.5V to V _{DD} + 0.5V
TTL DC Input Voltage	-0.5V to 5.5V
DC Voltage Applied to TTL Outputs	-0.5V to V _{DD} + 0.5V
TTL Output Current	±50mA
PECL Output Current	±50mA
Case Temperature Under Bias	-55°C to +125°C
Storage Temperature	-65°C to + 150°C
Maximum Input ESD (Human Body Model)	1500V

NOTE: (1) CAUTION: Stresses listed under "Absolute Maximum Ratings" may be applied to devices one at a time without causing permanent damage. Functionality at or above the values listed is not implied. Exposure to these values for extended periods may affect device reliability.

Recommended Operating Conditions

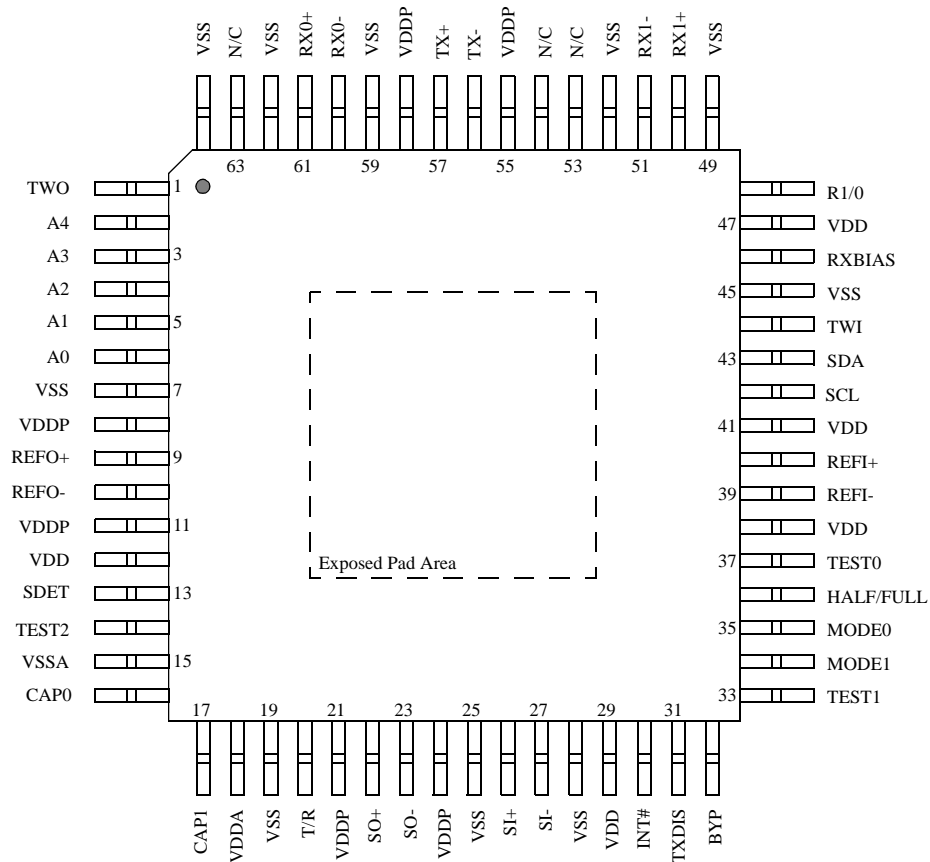
Power Supply Voltage (V _{DD})	+3.3V ± 5%
Ambient Operating Temperature Range	0°C Ambient to +95°C Case

Data Sheet VSC7130

Dual Repeater/Retimer
for Fibre Channel and Gigabit Ethernet

Package Pin Descriptions

Figure 12: Pin Diagram, Top View



NOTE: Exposed pad on bottom must be connected to ground.

Table 6: Pin Identification

Pin #	Name	Description
61, 60	RX0+, RX0-	INPUT - PECL. Serial input to MUX2/MUX1 from the external media.
50, 51	RX1+, RX1-	INPUT - PECL. Serial input to MUX2/MUX1 from the external media.
48	R1/0	INPUT - TTL. Selects RX1+/- when HIGH, RX0+/- when LOW.
26, 27	SI+, SI-	INPUT - PECL. Serial input to MUX1/MUX3 from the internal system.
57, 56	TX+, TX-	OUTPUT - PECL. Serial output from CDR0 to the external media.
22, 23	SO+, SO-	OUTPUT - PECL. Serial output from CDR1 to the internal system.
31	TXDIS	INPUT - TTL. When HIGH, TX+==HIGH , TX-=HIGH . When LOW, TX+/- is enabled. Can be overridden by TXDDIS .
40 39	REFI+ REFI-	INPUT - TTL or PECL. REFERENCE CLoCK at 1/10th or 1/20th the baud rate as determined by HALF/FULL . Used for the clock multiplier unit. If TTL, leave REFI- open. If PECL, connect both REFI+ and REFI- .
35 34	MODE0 MODE1	INPUT - TTL. Selects the mode of operation for CDRx . Overridden by the MODEDIS register bit.
36	HALF/FULL	INPUT - TTL. When LOW, REFI is 1/10th the baud rate. When HIGH, REFI is 1/20th the baud rate
9 10	REFO+ REFO-	OUTPUT - PECL: This is a buffered version of REFI+/- which is intended for daisy chaining the reference clocks between multiple chips.
13	SDET	BIDIRECTIONAL - TTL: Configured by default as an output. Can be configured as an input via the Two-Wire Interface. Open drain, external 4.7KW pull-up required.
46	RXBIAS	INPUT - ANALOG: External resistors set the level of the analog signal detect circuits in the RX1+/- input. See the Signal Detection section for more details.
20	T/R	INPUT - TTL. When HIGH, CDR0 is configured as a Retimer, when LOW, a Repeater. Overridden by T/RDIS .
32	BYP	INPUT - TTL. When HIGH, MUX3 passes SI to SO . When LOW, MUX3 passes the output of CDR1 to SO . Overridden by BYDIS .
16, 17	CAPO, CAPI	Clock Multiplier Unit PLL Loop Filter Capacitor. Nominally 0.1 μ F, +/-20%, X7R
43	SDA	BIDIRECTIONAL - TTL: This is the Two-Wire Interface data pin. Open drain, external 4.7KW pull-up required. If not used, pull HIGH.
42	SCL	INPUT - TTL: This is the Two-Wire Interface serial clock input. For normal Two-Wire Interface usage, SCL may be clocked at up to 400 KHz. For Proprietary Link mode, SCL should be at REFI/8 (HALF/FULL is HIGH) or REFI/16 (HALF/FULL is LOW). Open drain, external 4.7KW pull-up required. If not used, pull HIGH.
6, 5, 4, 3, 2	A0-A4	INPUT - TTL: A4 is the address to select the group address for Two-Wire Interface addressing. A0-A3 select the Two-Wire Interface address. A0-A3 are active only if TWI is LOW. If not used, pull HIGH or LOW.
44	TWI	INPUT - TTL: Two-Wire Interface Input. This input enables daisy chaining of devices on the Two-Wire Interface so that addresses can be assigned in software. If not used, connect to VSS.



Data Sheet VSC7130

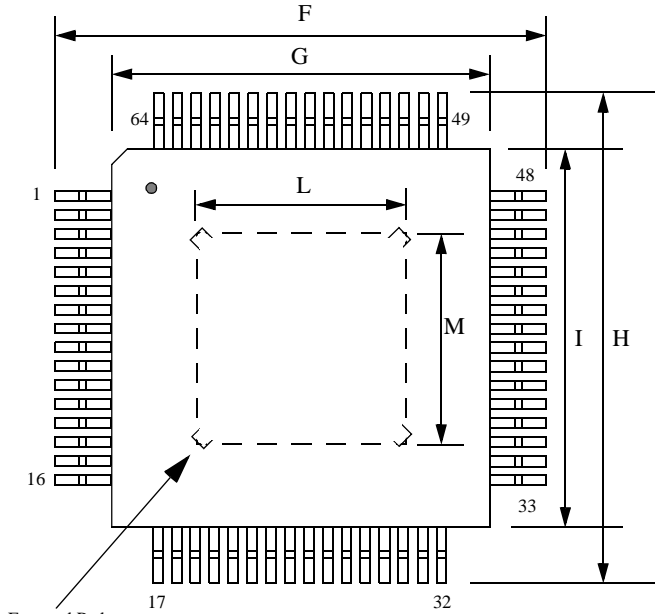
Dual Repeater/Retimer
for Fibre Channel and Gigabit Ethernet

Pin #	Name	Description
1	TWO	BIDIRECTIONAL - TTL: Two-Wire Interface Output. This output enables daisy chaining of devices on the Two-Wire Interface so that addresses can be assigned in software. Input for power-up sensing. Output for Two-Wire Interface functions. Open drain. For Soft Addressing, pull HIGH with a 4.7k Ω resistor. For Fixed Addressing, pull LOW with a 4.7k Ω resistor.
30	INT#	OUTPUT - TTL: This output indicates that an interruptible condition occurred internally. Open drain, external 4.7k Ω pull-up required. If not used, pull HIGH.
37 33 14	TEST0 TEST1 TEST2	INPUT - TTL. LOW for factory test, HIGH for normal operation.
12, 29, 38 41, 47	VDD	Power Supply, 3.3V.
8, 11 21, 24 55, 58	VDDP	High-Speed Output Power Supply. Pins 8 and 11 are for REFO +/- and may be left unconnected in order to power down this output buffer. Pins 21 and 24 are for SO +/- . Pins 55 and 58 are for TX +/-
18	VDDA	Analog Power Supply, 3.3V for Clock Multiplier PLL. Filter and bypass to VSSA.
15	VSSA	Analog Ground
7, 19, 25, 28, 45, 49, 52 59, 62, 64	VSS	Ground.
53, 54, 63	N/C	Do not connect (these are internally connected.).

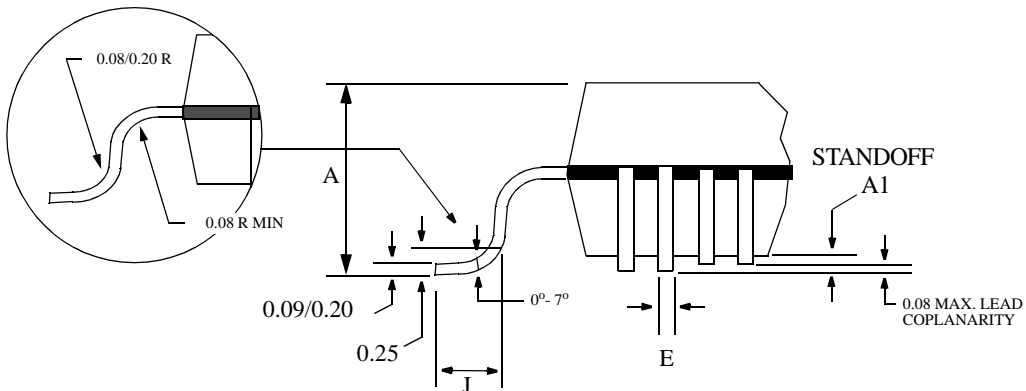
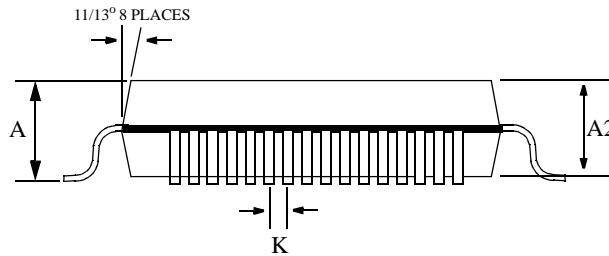
Dual Repeater/Retimer
for Fibre Channel and Gigabit Ethernet

Data Sheet
VSC7130

Package Information: 64-pin TQFP



Item	10 mm	Tolerance
A	1.20	MAX
A1	0.10	±0.05
A2	1.00	±0.05
E	0.22	±0.05
F	12.00	BASIC
G	10.00	BASIC
H	12.00	BASIC
I	10.00	BASIC
J	0.60	±0.15
K	0.50	BASIC
L	5.00	BASIC
M	5.00	BASIC



NOTES:
Drawing not to scale.
All units in mm unless otherwise noted.

Data Sheet VSC7130

Dual Repeater/Retimer
for Fibre Channel and Gigabit Ethernet

Package Thermal Characteristics

The VSC7130 is packaged in an exposed pad, thin quad flatpack (TQFP) which adheres to industry-standard EIAJ footprints for a 10x10x1.0mm body, 64-lead TQFP. The package construction is shown in Figure 13. The bottom of the leadframe is exposed so that it can be soldered to the printed circuit board and connected to the ground plane. This provides excellent thermal characteristics and reduces electrical parasitics as well. *Note: contact Vitesse for the package vendor Application Note for details about using the exposed pad.*

Figure 13: Package Cross Section

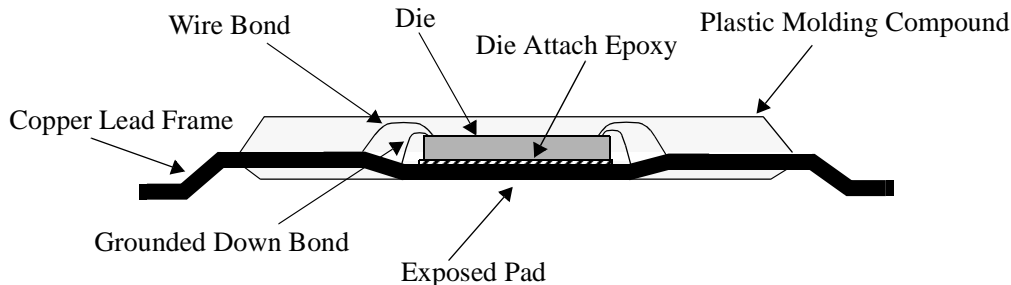


Table 7: 64-pin, Exposed Pad, TQFP Thermal Resistance

Symbol	Description	Value	Units
θ_{CA-0}	Thermal resistance from case to ambient, still air	30	$^{\circ}\text{C}/\text{W}$
θ_{CA-100}	Thermal resistance from case to ambient, 100 LFPM air	25	$^{\circ}\text{C}/\text{W}$
θ_{CA-200}	Thermal resistance from case to ambient, 200 LFPM air	23	$^{\circ}\text{C}/\text{W}$
θ_{CA-400}	Thermal resistance from case to ambient, 400 LFPM air	21	$^{\circ}\text{C}/\text{W}$
θ_{CA-600}	Thermal resistance from case to ambient, 600 LFPM air	20	$^{\circ}\text{C}/\text{W}$

The VSC7130 is designed to operate with a case temperature up to 95°C . The user must guarantee that the case temperature specification is not violated. With the thermal resistances shown above, the VSC7130 can operate in still air ambient temperatures of 70°C [$\sim 70^{\circ}\text{C} = 95^{\circ}\text{C} - 0.8\text{W} * 30$]. If the ambient air temperature exceeds these limits then some form of cooling through a heatsink or an increase in airflow must be provided. Additional heat can be transferred to the printed circuit board by not using thermal reliefs on the power and ground plane vias as well as using multiple vias to the power and ground planes.

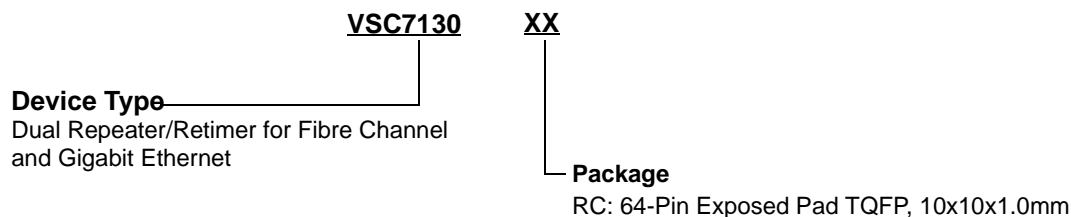
If the exposed pad is not soldered to the printed circuit board and grounded, both thermal and electrical performance will be degraded significantly.

Moisture Sensitivity Level

This device is rated at a Moisture Sensitivity Level 3 rating with maximum floor life of 168 hours at 30°C , 60% relative humidity. Please refer to Application Note AN-20 for appropriate handling procedures

Order information

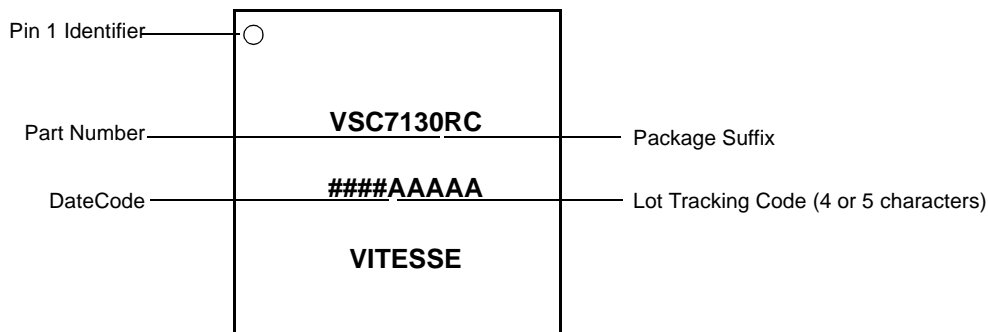
The order number for this product is formed by a combination of the device number, and package type.



Marking Information

The top of the package is marked as in Figure 13.

Figure 14: Package Marking Information



Notice

Vitesse Semiconductor Corporation (“Vitesse”) provides this document for informational purposes only. This document contains pre-production information about Vitesse products in their concept, development and/or testing phase. All information in this document, including descriptions of features, functions, performance, technical specifications and availability, is subject to change without notice at any time. Nothing contained in this document shall be construed as extending any warranty or promise, express or implied, that any Vitesse product will be available as described or will be suitable for or will accomplish any particular task.

Vitesse products are not intended for use in life support appliances, devices or systems. Use of a Vitesse product in such applications without written consent is prohibited.