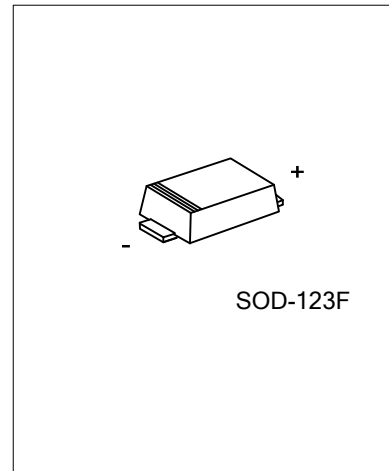




SURFACE MOUNT GENERAL RECTIFIER



■ DESCRIPTION

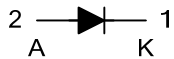
The UTC **GS1010FL** is a surface mount general rectifier, it uses UTC's advanced technology to provide the customers with low profile package and low leakage current, etc.

The UTC **GS1010FL** is suitable for ESD protection and surface mounted applications, etc.

■ FEATURES

- * Low profile package
- * ESD protection
- * Low leakage current

■ SYMBOL



■ ORDERING INFORMATION

Ordering Number		Package	Pin Assignment		Packing
Lead Free	Halogen Free		1	2	
GS1010FLK-CA2F-R	GS1010FLG-CA2F-R	SOD-123F	K	A	Tape Reel

Note: Pin Assignment: A: Anode, K: Cathode

<p>GS1010FLK-CA2F-R</p> <ul style="list-style-type: none"> (1) Packing Type (2) Package Type (3) Lead Free 	<ul style="list-style-type: none"> (1) R: Tape Reel (2) CA2F: SOD-123F (3) K: Lead Free, G: Halogen Free
---------------------------------------------------------------------------------------------------------------------------------------------	-------------------------------------------------------------------------------------------------------------------------------------------

■ MARKING INFORMATION

PACKAGE	MARKING
SOD-123F	<p>K: Lead Free G: Halogen Free</p>

■ ABSOLUTE MAXIMUM RATINGS ($T_A=25^{\circ}\text{C}$, unless otherwise specified)

PARAMETER	SYMBOL	RATINGS	UNIT
Repetitive Peak Reverse Voltage	V_{RRM}	1000	V
Maximum RMS Voltage	V_{RMS}	700	V
Maximum DC Blocking Voltage	V_{DC}	1000	V
Rectified Current (Average) Half Wave Rectification with Resist. Load at $T_A=25^{\circ}\text{C}$ (Note 1)	I_O	1.0	A
Surge Forward Current at $t<1\text{s}$, $T_J=25^{\circ}\text{C}$	I_{FSM}	30	A
Junction Temperature	T_J	-55~+150	$^{\circ}\text{C}$
Storage Temperature	T_{STG}	-55~+150	$^{\circ}\text{C}$

Notes: 1. Absolute maximum ratings are those values beyond which the device could be permanently damaged.

Absolute maximum ratings are stress ratings only and functional device operation is not implied.

2. Measured at 1MHz and applied reverse voltage of 0V D.C.

■ THERMAL DATA

PARAMETER	SYMBOL	RATINGS	UNIT
Junction to Ambient	θ_{JA}	200	$^{\circ}\text{C}/\text{W}$

■ ELECTRICAL CHARACTERISTICS ($T_A=25^{\circ}\text{C}$, unless otherwise specified)

PARAMETER	SYMBOL	TEST CONDITIONS	MIN	TYP	MAX	UNIT
Forward Voltage	V_F	$I_F=1.0\text{A}$			1.1	V
Leakage Current	I_R	$V_R=1000\text{V}$, $T_J=25^{\circ}\text{C}$			10	μA
		$V_R=1000\text{V}$, $T_J=100^{\circ}\text{C}$			50	μA
Junction Capacitance (Note)	C_J				4.0	pF

Note: Measured at 1MHz and applied reverse voltage of 4.0V D.C.

UTC assumes no responsibility for equipment failures that result from using products at values that exceed, even momentarily, rated values (such as maximum ratings, operating condition ranges, or other parameters) listed in products specifications of any and all UTC products described or contained herein. UTC products are not designed for use in life support appliances, devices or systems where malfunction of these products can be reasonably expected to result in personal injury. Reproduction in whole or in part is prohibited without the prior written consent of the copyright owner. The information presented in this document does not form part of any quotation or contract, is believed to be accurate and reliable and may be changed without notice.