

TC74AC299P, TC74AC299F, TC74AC299FW

8-BIT PIPO SHIFT REGISTER WITH ASYNCHRONOUS CLEAR

(Note) The JEDEC SOP (FW) is not available in Japan.

The TC74AC299 is an advanced high speed CMOS 8-BIT PIPO SHIFT REGISTER fabricated with silicon gate and double-layer metal wiring C²MOS technology.

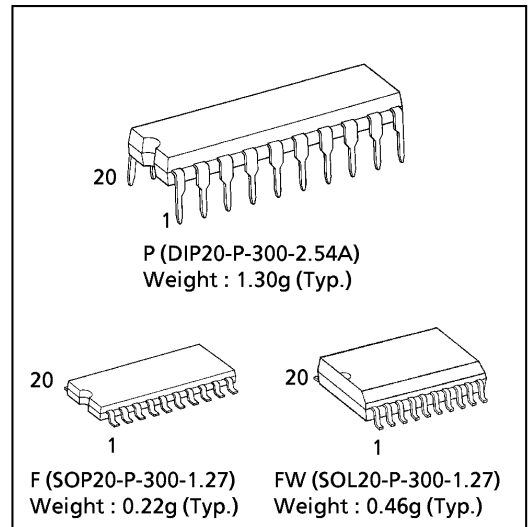
It achieves the high speed operation similar to equivalent Bipolar Schottky TTL while maintaining the CMOS low power dissipation.

It has a four modes (HOLD, SHIFT LEFT, SHIFT RIGHT and LOAD DATA) controlled by the two selection inputs (S0, S1).

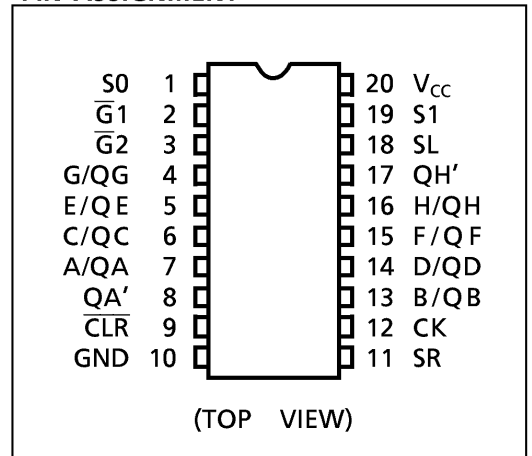
When one or both enable ($\overline{G1}$, $\overline{G2}$) are high, the eight I/O outputs are forced to the high-impedance state; however, sequential operation or clearing of the register is not affected. All inputs are equipped with protection circuits against static discharge or transient excess voltage.

FEATURES :

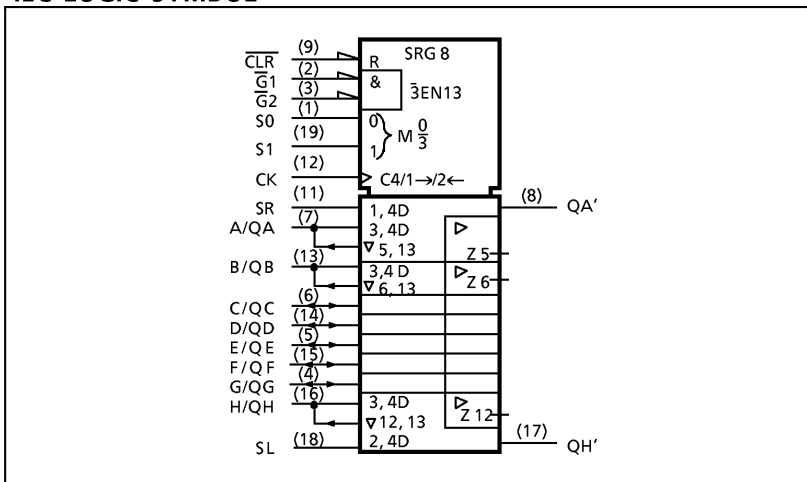
- High Speed..... $f_{MAX} = 150\text{MHz}$ (typ.)
at $V_{CC} = 5\text{V}$
- Low Power Dissipation..... $I_{CC} = 8\mu\text{A}$ (Max.) at $T_a = 25^\circ\text{C}$
- High Noise Immunity..... $V_{NIH} = V_{NIL} = 28\% V_{CC}$ (Min.)
- Symmetrical Output Impedance... $|I_{OH}| = I_{OL} = 24\text{mA}$ (Min.)
Capability of driving 50Ω transmission lines.
- Balanced Propagation Delays..... $t_{pLH} \approx t_{pHL}$
- Wide Operating Voltage Range.... $V_{CC} \text{ (opr)} = 2\text{V} \sim 5.5\text{V}$
- Pin and Function Compatible with 74F299



PIN ASSIGNMENT



IEC LOGIC SYMBOL



APPLICATION NOTES

- 1) Do not apply a signal to any bus terminal when it is in the output mode. Damage may result.
- 2) All floating (high impedance) bus terminals must have their input levels fixed by means of pull up or pull down resistors.

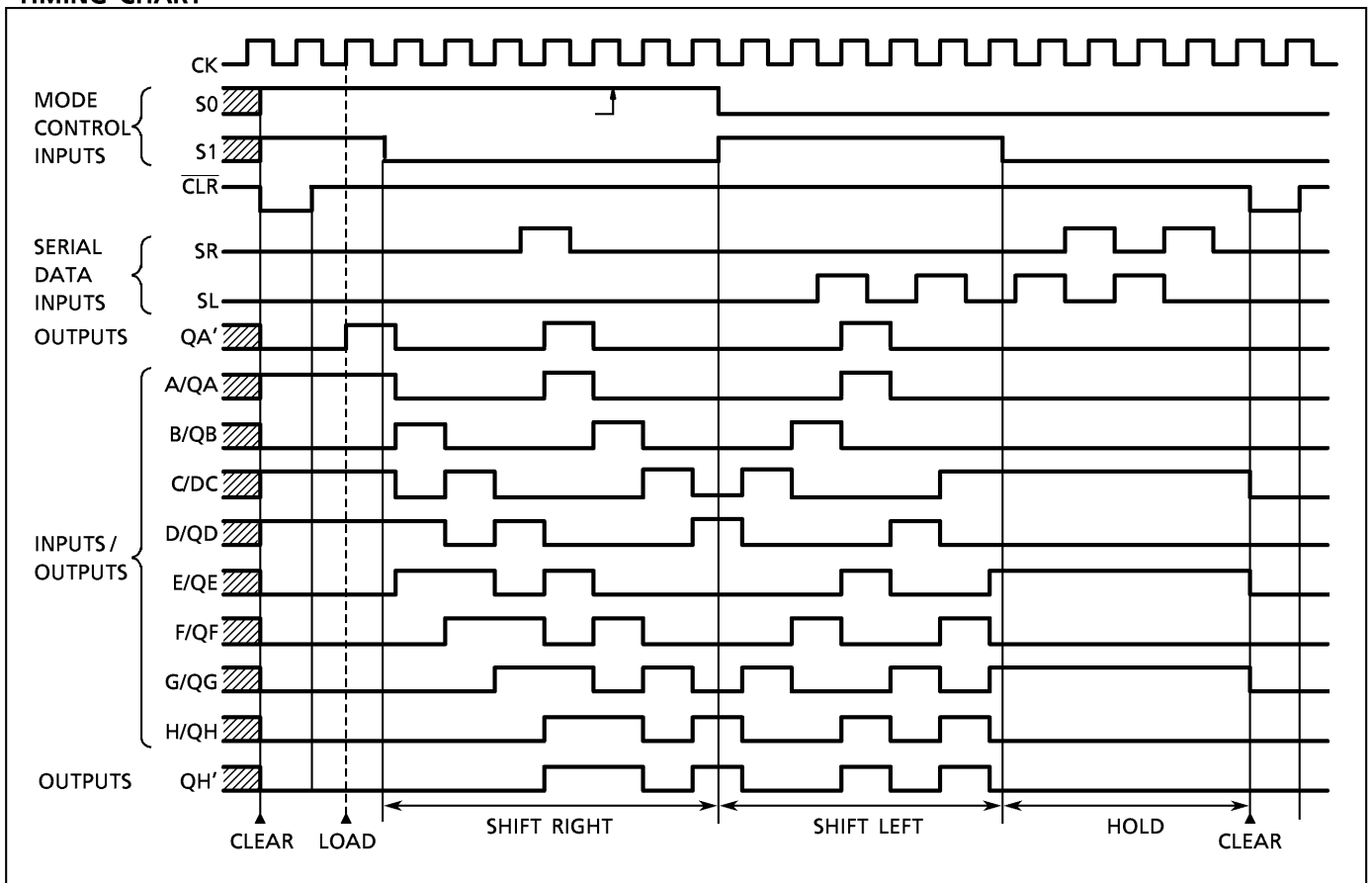
TRUTH TABLE

MODE	INPUTS								INPUTS/OUTPUTS		OUTPUTS	
	CLR	FUNCTION SELECT		OUTPUT CONTROL		CK	SERIAL		A/QA	H/QH	QA'	QH'
		S1	S0	G1*	G2*		SL	SR				
CLEAR	L	H	H	X	X	X	X	X	Z	Z	L	L
	L	L	X	L	L	X	X	X	L	L	L	L
	L	X	L	L	L	X	X	X	L	L	L	L
HOLD	H	L	L	L	L	X	X	X	QA0	QH0	QA0	QH0
SHIFT RIGHT	H	L	H	L	L	↓	X	H	H	QGn	H	QGn
	H	L	H	L	L	↑	X	L	L	QGn	L	QGn
SHIFT LEFT	H	H	L	L	L	↓	H	X	QBn	H	QBn	H
	H	H	L	L	L	↑	L	X	QBn	L	QBn	L
LOAD	H	H	H	X	X	↑	X	X	a	h	a	h

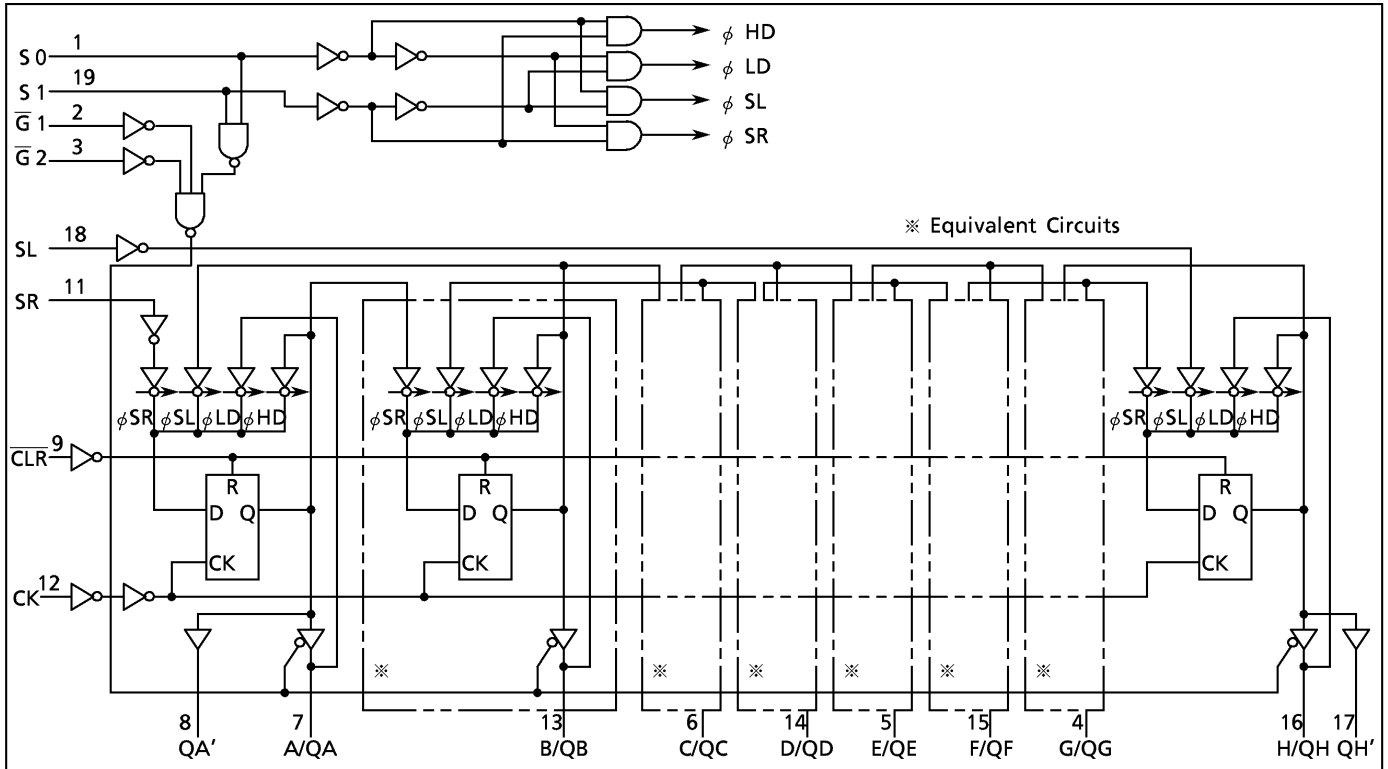
* When one or both output controls are high, the eight input/output terminals are in the high-impedance state; however sequential or clearing of the register is not affected.

- Z : High Impedance
- Qn0 : The level of Qn before the indicated steady - state input conditions were established.
- Qnn : The level of Qn before the most recent active transition indicated by ↓ or ↑.
- a, h : The level of the steady - state inputs A, H, respectively.
- X : Don't Care.

TIMING CHART



SYSTEM DIAGRAM



ABSOLUTE MAXIMUM RATINGS

PARAMETER	SYMBOL	VALUE	UNIT
Supply Voltage Range	V_{CC}	-0.5~7.0	V
DC Input Voltage	V_{IN}	-0.5~ $V_{CC} + 0.5$	V
DC Output Voltage	V_{OUT}	-0.5~ $V_{CC} + 0.5$	V
Input Diode Current	I_{IK}	± 20	mA
Output Diode Current	I_{OK}	± 50	mA
DC Output Current	I_{OUT}	± 50	mA
DC V_{CC} /Ground Current	I_{CC}	± 250	mA
Power Dissipation	P_D	500 (DIP)* / 180 (SOP)	mW
Storage Temperature	T_{stg}	-65~150	$^{\circ}C$

*500mW in the range of $T_a = -40^{\circ}C \sim 65^{\circ}C$. From $T_a = 65^{\circ}C$ to $85^{\circ}C$ a derating factor of $-10mW/^{\circ}C$ should be applied up to 300mW.

RECOMMENDED OPERATING CONDITIONS

PARAMETER	SYMBOL	VALUE	UNIT
Supply Voltage	V_{CC}	2.0~5.5	V
Input Voltage	V_{IN}	0~ V_{CC}	V
Output Voltage	V_{OUT}	0~ V_{CC}	V
Operating Temperature	T_{opr}	-40~85	$^{\circ}C$
Input Rise and Fall Time	dt/dV	0~100 ($V_{CC} = 3.3 \pm 0.3V$) 0~20 ($V_{CC} = 5 \pm 0.5V$)	ns/V

DC ELECTRICAL CHARACTERISTICS

PARAMETER	SYMBOL	TEST CONDITION	V _{CC} (V)	Ta = 25°C			Ta = -40~85°C		UNIT	
				MIN.	TYP.	MAX.	MIN.	MAX.		
High - Level Input Voltage	V _{IH}		2.0 3.0 5.5	1.50 2.10 3.85	— — —	— — —	1.50 2.10 3.85	— — —	V	
Low - Level Input Voltage	V _{IL}		2.0 3.0 5.5	— — —	— — —	0.50 0.90 1.65	— — —	0.50 0.90 1.65	V	
High - Level Output Voltage	V _{OH}	V _{IN} = V _{IH} or V _{IL}	I _{OH} = -50μA	2.0	1.9	2.0	—	1.9	—	V
				3.0	2.9	3.0	—	2.9	—	
				4.5	4.4	4.5	—	4.4	—	
Low - Level Output Voltage	V _{OL}	V _{IN} = V _{IH} or V _{IL}	I _{OL} = 50μA	2.0	—	0.0	0.1	—	0.1	V
				3.0	—	0.0	0.1	—	0.1	
				4.5	—	0.0	0.1	—	0.1	
3 - State Output Off - State Current	I _{OZ}	V _{IN} = V _{IH} or V _{IL} V _{OUT} = V _{CC} or GND	I _{OL} = 12mA I _{OL} = 24mA I _{OL} = 75mA*	2.0	—	—	—	—	—	μA
				3.0	—	—	—	—	—	
				4.5	—	—	—	—	—	
Input Leakage Current	I _{IN}	V _{IN} = V _{CC} or GND	5.5	—	—	±0.1	—	±1.0		
Quiescent Supply Current	I _{CC}	V _{IN} = V _{CC} or GND	5.5	—	—	8.0	—	80.0		

* : This spec indicates the capability of driving 50Ω transmission lines.

One output should be tested at a time for a 10ms maximum duration.

TIMING RECOMMENDED OPERATING CONDITIONS (Input t_r = t_f = 3ns)

PARAMETER	SYMBOL	TEST CONDITION	V _{CC} (V)	Ta = 25°C	Ta = -40~85°C	UNIT
				LIMIT	LIMIT	
Minimum Pulse Width (CK)	t _W (L) t _W (H)		3.3 ± 0.3	8.0	8.0	ns
			5.0 ± 0.5	5.0	5.0	
Minimum Pulse Width ($\overline{\text{CLR}}$)	t _W (L)		3.3 ± 0.3	7.0	7.0	
			5.0 ± 0.5	5.0	5.0	
Minimum Set - up Time (SL, SR, A~H)	t _s		3.3 ± 0.3	6.0	6.0	
			5.0 ± 0.5	4.0	4.0	
Minimum Set - up Time (S0, S1)	t _s		3.3 ± 0.3	11.9	13.6	
			5.0 ± 0.5	7.0	7.0	
Minimum Hold Time (SL, SR, A~H)	t _h		3.3 ± 0.3	1.0	1.0	
			5.0 ± 0.5	1.0	1.0	
Minimum Hold Time (S0, S1)	t _h		3.3 ± 0.3	0.0	0.0	
			5.0 ± 0.5	0.0	0.0	
Minimum Removal Time ($\overline{\text{CLR}}$)	t _{rem}		3.3 ± 0.3	5.0	5.0	
			5.0 ± 0.5	3.0	3.0	

AC ELECTRICAL CHARACTERISTICS ($C_L = 50\text{pF}$, $R_L = 500\Omega$, $t_r = t_f = 3\text{ns}$)

PARAMETER	SYMBOL	TEST CONDITION	Ta = 25°C			Ta = -40~85°C		UNIT	
			V _{CC} (V)	MIN.	TYP.	MAX.	MIN.		MAX.
Propagation Delay Time (CK-QA', QH')	t _{pLH} t _{pHL}		3.3 ± 0.3	—	10.6	18.4	1.0	21.0	ns
			5.0 ± 0.5	—	6.8	10.5	1.0	12.0	
Propagation Delay Time ($\overline{\text{CLR}}$ -QA', QH')	t _{pLH} t _{pHL}		3.3 ± 0.3	—	8.1	14.0	1.0	16.0	
			5.0 ± 0.5	—	6.1	9.2	1.0	10.5	
Propagation Delay Time (CK-QA ~ QH)	t _{pLH} t _{pHL}		3.3 ± 0.3	—	10.9	19.3	1.0	22.0	
			5.0 ± 0.5	—	7.3	10.5	1.0	12.0	
Propagation Delay Time ($\overline{\text{CLR}}$ -QA ~ QH)	t _{pLH} t _{pHL}		3.3 ± 0.3	—	9.8	16.7	1.0	19.0	
			5.0 ± 0.5	—	6.7	10.9	1.0	12.4	
Output Enable Time	t _{pZL} t _{pZH}		3.3 ± 0.3	—	9.9	17.5	1.0	20.0	
			5.0 ± 0.5	—	6.6	9.6	1.0	11.0	
Output Disable Time	t _{pLZ} t _{pHZ}		3.3 ± 0.3	—	8.1	14.0	1.0	16.0	
			5.0 ± 0.5	—	6.4	9.6	1.0	11.0	
Maximum Clock Frequency	f _{MAX}		3.3 ± 0.3	45	90	—	45	—	MHz
			5.0 ± 0.5	80	140	—	80	—	
Input Capacitance	C _{IN}			—	5	10	—	10	pF
Bus Input Capacitance	C _{I/O}			—	13	—	—	—	
Power Dissipation Capacitance	C _{PD} (1)			—	137	—	—	—	

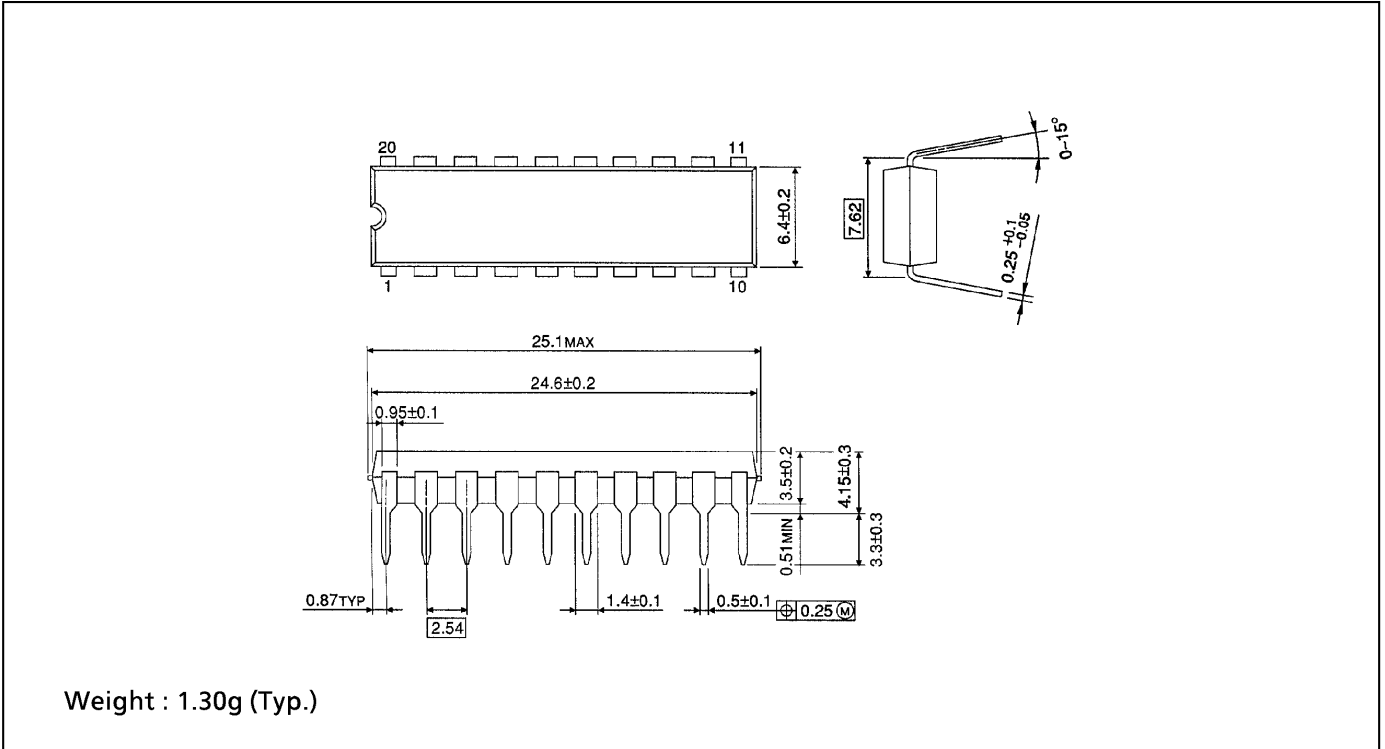
Note (1) C_{PD} is defined as the value of the internal equivalent capacitance which is calculated from the operating current consumption without load.

Average operating current can be obtained by the equation:

$$I_{CC}(\text{opr}) = C_{PD} \cdot V_{CC} \cdot f_{IN} + I_{CC}$$

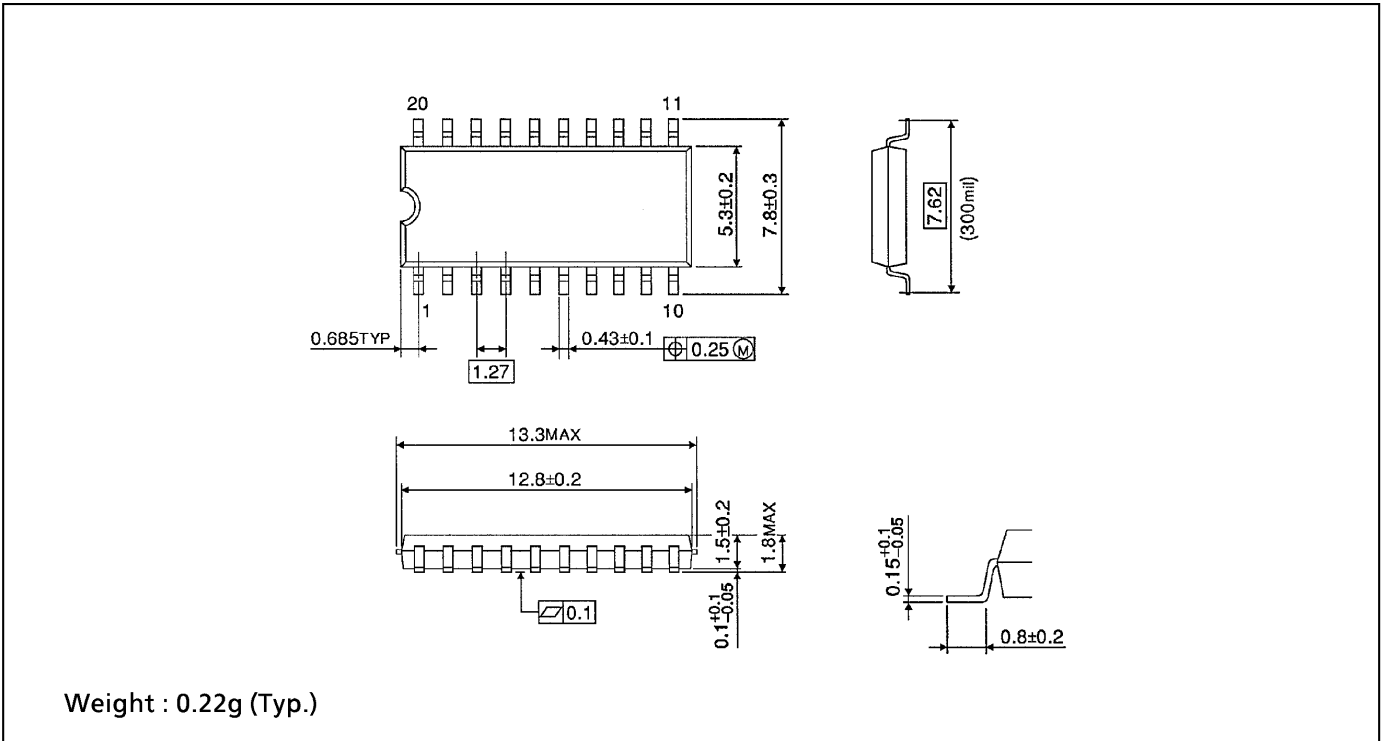
DIP 20PIN PACKAGE DIMENSIONS (DIP20-P-300-2.54A)

Unit in mm



SOP 20PIN (200mil BODY) PACKAGE DIMENSIONS (SOP20-P-300-1.27)

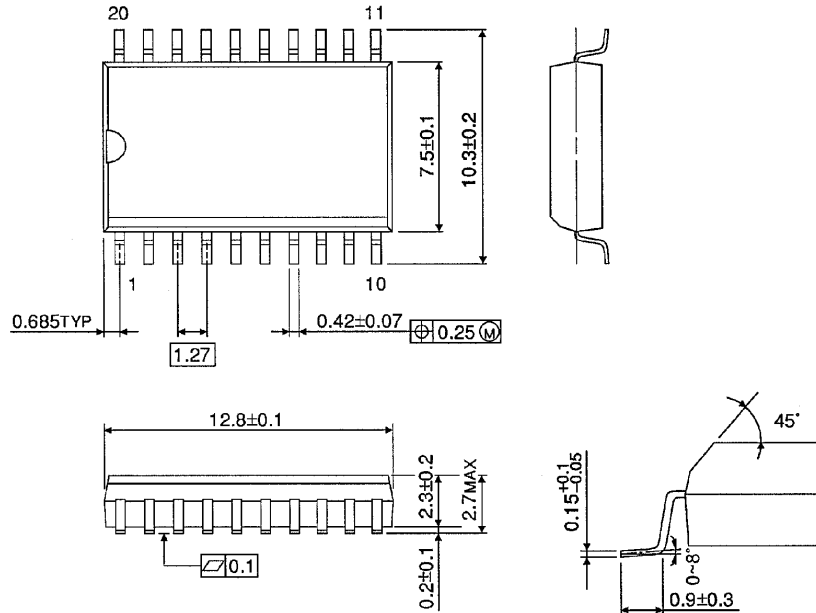
Unit in mm



SOP 20PIN (300mil BODY) PACKAGE DIMENSIONS (SOL20-P-300-1.27)

Unit in mm

(Note) This package is not available in Japan.



Weight : 0.46g (Typ.)

RESTRICTIONS ON PRODUCT USE

000707EBA

- TOSHIBA is continually working to improve the quality and reliability of its products. Nevertheless, semiconductor devices in general can malfunction or fail due to their inherent electrical sensitivity and vulnerability to physical stress. It is the responsibility of the buyer, when utilizing TOSHIBA products, to comply with the standards of safety in making a safe design for the entire system, and to avoid situations in which a malfunction or failure of such TOSHIBA products could cause loss of human life, bodily injury or damage to property. In developing your designs, please ensure that TOSHIBA products are used within specified operating ranges as set forth in the most recent TOSHIBA products specifications. Also, please keep in mind the precautions and conditions set forth in the "Handling Guide for Semiconductor Devices," or "TOSHIBA Semiconductor Reliability Handbook" etc..
- The TOSHIBA products listed in this document are intended for usage in general electronics applications (computer, personal equipment, office equipment, measuring equipment, industrial robotics, domestic appliances, etc.). These TOSHIBA products are neither intended nor warranted for usage in equipment that requires extraordinarily high quality and/or reliability or a malfunction or failure of which may cause loss of human life or bodily injury ("Unintended Usage"). Unintended Usage include atomic energy control instruments, airplane or spaceship instruments, transportation instruments, traffic signal instruments, combustion control instruments, medical instruments, all types of safety devices, etc.. Unintended Usage of TOSHIBA products listed in this document shall be made at the customer's own risk.
- The products described in this document are subject to the foreign exchange and foreign trade laws.
- The information contained herein is presented only as a guide for the applications of our products. No responsibility is assumed by TOSHIBA CORPORATION for any infringements of intellectual property or other rights of the third parties which may result from its use. No license is granted by implication or otherwise under any intellectual property or other rights of TOSHIBA CORPORATION or others.
- The information contained herein is subject to change without notice.