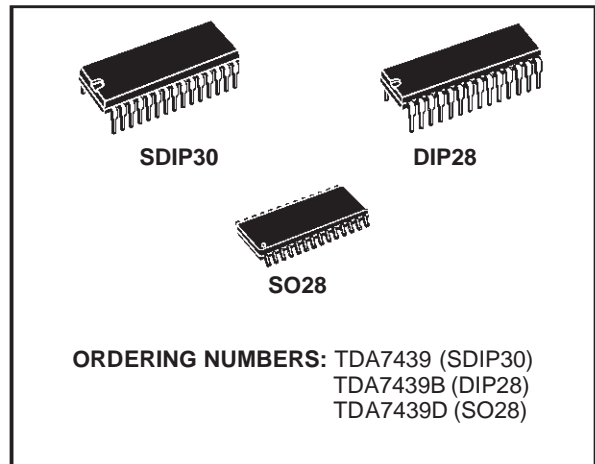




# TDA7439

## THREE BANDS DIGITALLY CONTROLLED AUDIO PROCESSOR

- INPUT MULTIPLEXER
  - 4 STEREO INPUTS
  - SELECTABLE INPUT GAIN FOR OPTIMAL ADAPTATION TO DIFFERENT SOURCES
- ONE STEREO OUTPUT
- TREBLE, MIDDLE AND BASS CONTROL IN 2.0dB STEPS
- VOLUME CONTROL IN 1.0dB STEPS
- TWO SPEAKER ATTENUATORS:
  - TWO INDEPENDENT SPEAKER CONTROL IN 1.0dB STEPS FOR BALANCE FACILITY
  - INDEPENDENT MUTE FUNCTION
- ALL FUNCTIONS ARE PROGRAMMABLE VIA SERIAL BUS



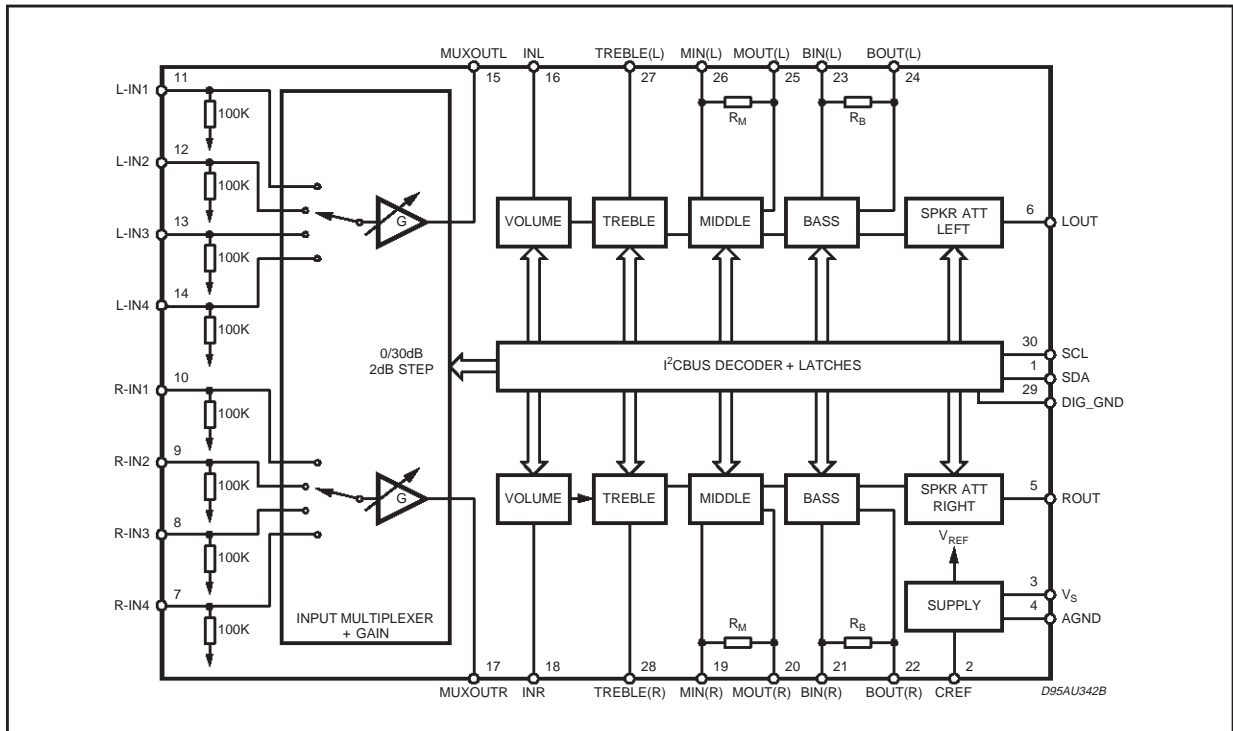
### DESCRIPTION

The TDA7439 is a volume tone (bass, middle and treble) balance (Left/Right) processor for quality audio applications in car-radio and Hi-Fi systems. Selectable input gain is provided. Control of all the functions is accomplished by serial bus.

The AC signal setting is obtained by resistor networks and switches combined with operational amplifiers.

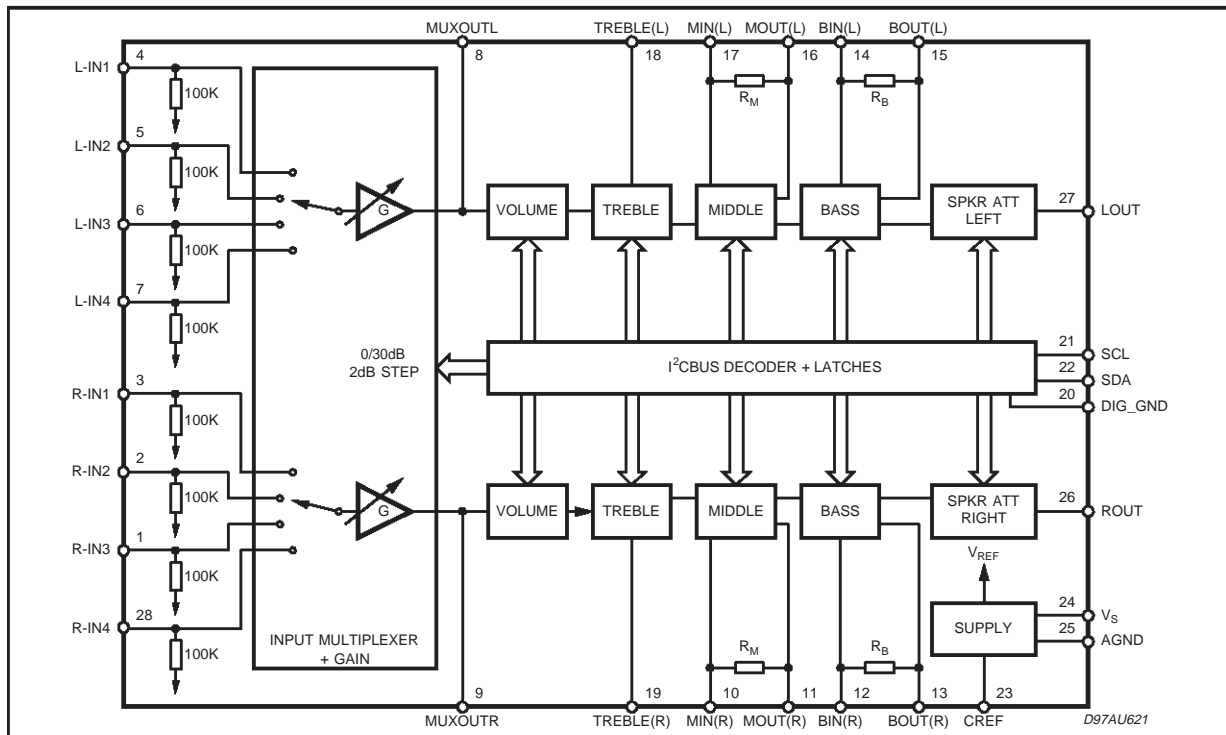
Thanks to the used BIPOLAR/CMOS Technology, Low Distortion, Low Noise and DC stepping are obtained

### BLOCK DIAGRAM (TDA7439)

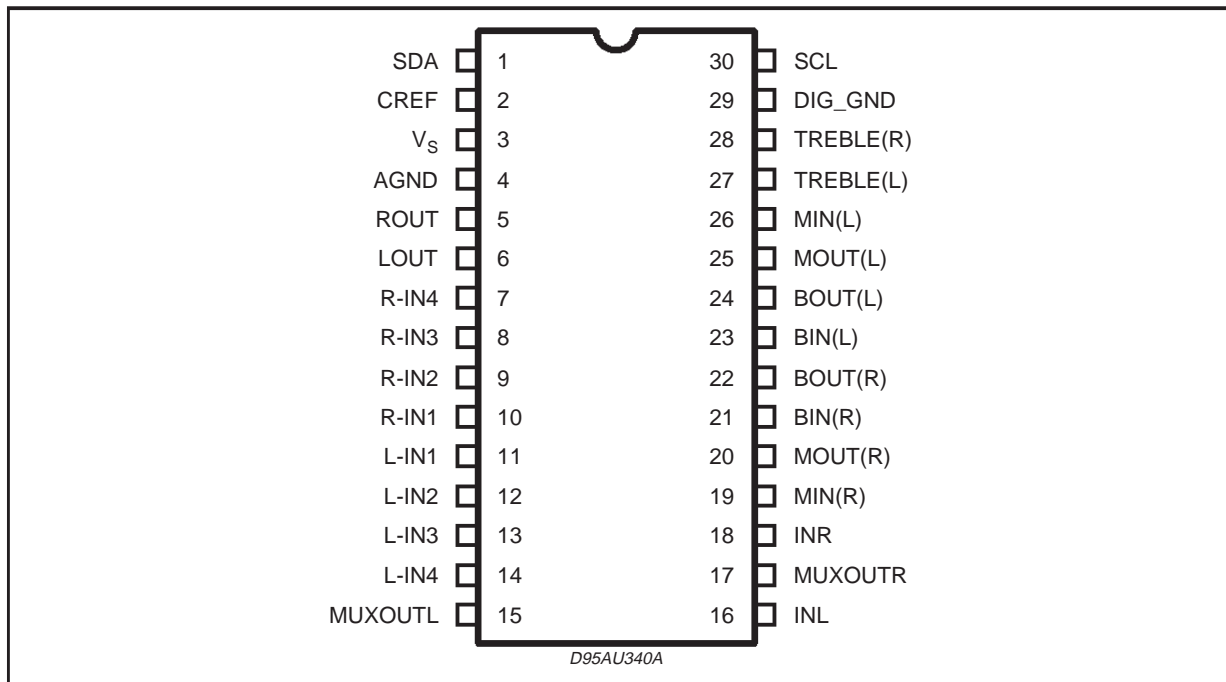


# TDA7439

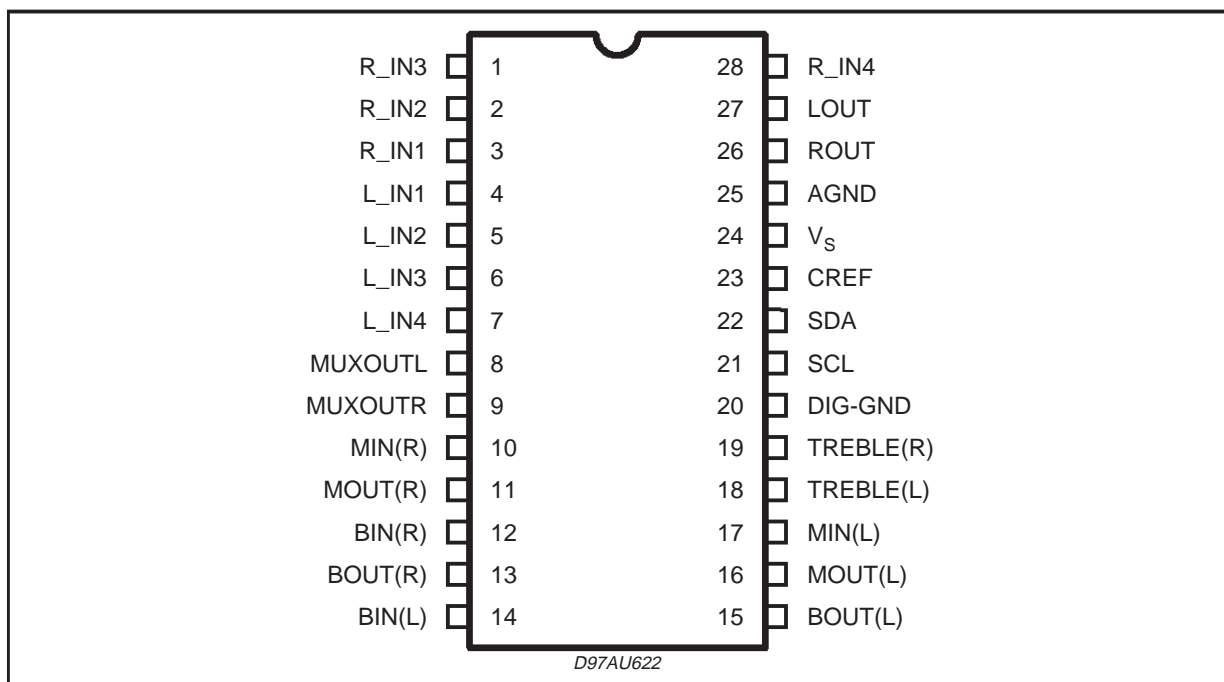
## BLOCK DIAGRAM (TDA7439B/TDA7439D)



## PIN CONNECTION (SDIP30)



## PIN CONNECTION (DIP28/SO28)



## ABSOLUTE MAXIMUM RATINGS

| Symbol           | Parameter                     | Value      | Unit |
|------------------|-------------------------------|------------|------|
| V <sub>S</sub>   | Operating Supply Voltage      | 10.5       | V    |
| T <sub>amb</sub> | Operating Ambient Temperature | -10 to 85  | °C   |
| T <sub>stg</sub> | Storage Temperature Range     | -55 to 150 | °C   |

## THERMAL DATA

| Symbol                | Parameter                        | Value | Unit |
|-----------------------|----------------------------------|-------|------|
| R <sub>th j-pin</sub> | Thermal Resistance Junction-pins | 85    | °C/W |

## QUICK REFERENCE DATA

| Symbol          | Parameter   | Min. | Typ. | Max. | Unit             |
|-----------------|---|------|------|------|------------------|
| V <sub>S</sub>  | Supply Voltage  | 6    | 9    | 10.2 | V                |
| V <sub>CL</sub> | Max. input signal handling  | 2    |      |      | V <sub>rms</sub> |
| THD             | Total Harmonic Distortion V = 1V <sub>rms</sub> f = 1KHz                |      | 0.01 | 0.1  | %                |
| S/N             | Signal to Noise Ratio V <sub>out</sub> = 1V <sub>rms</sub> (mode = OFF) |      | 106  |      | dB               |
| S <sub>C</sub>  | Channel Separation f = 1KHz   |      | 90   |      | dB               |
|                 | Input Gain in (2dB step)  | 0    |      | 30   | dB               |
|                 | Volume Control (1dB step)   | -47  |      | 0    | dB               |
|                 | Treble Control (2dB step)   | -14  |      | +14  | dB               |
|                 | Middle Control (2dB step)   | -14  |      | +14  | dB               |
|                 | Bass Control (2dB step)   | -14  |      | +14  | dB               |
|                 | Balance Control 1dB step  | -79  |      | 0    | dB               |
|                 | Mute Attenuation  |      | 100  |      | dB               |

## TDA7439

**ELECTRICAL CHARACTERISTICS** (refer to the test circuit  $T_{amb} = 25^{\circ}\text{C}$ ,  $V_S = 9\text{V}$ ,  $R_L = 10\text{K}\Omega$ ,  $R_G = 600\Omega$ , all controls flat ( $G = 0\text{dB}$ ), unless otherwise specified)

| Symbol                     | Parameter                    | Test Condition   | Min.       | Typ.       | Max.       | Unit             |
|----------------------------|------------------------------|--|------------|------------|------------|------------------|
| <b>SUPPLY</b>              |                              |  |            |            |            |                  |
| $V_S$                      | Supply Voltage               |  | 6          | 9          | 10.2       | V                |
| $I_S$                      | Supply Current               |  | 4          | 7          | 10         | mA               |
| SVR                        | Ripple Rejection             |  | 60         | 90         |            | dB               |
| <b>INPUT STAGE</b>         |                              |  |            |            |            |                  |
| $R_{IN}$                   | Input Resistance             |  | 70         | 100        | 130        | $\text{K}\Omega$ |
| $V_{CL}$                   | Clipping Level               | THD = 0.3%   | 2          | 2.5        |            | V <sub>rms</sub> |
| $S_{IN}$                   | Input Separation             | The selected input is grounded through a 2.2 $\mu$ capacitor | 80         | 100        |            | dB               |
| $G_{inmin}$                | Minimum Input Gain           |  | -1         | 0          | 1          | dB               |
| $G_{inmax}$                | Maximum Input Gain           |  | 29         | 30         | 31         | dB               |
| $G_{step}$                 | Step Resolution              |  | 1.5        | 2          | 2.5        | dB               |
| <b>VOLUME CONTROL</b>      |                              |  |            |            |            |                  |
| $R_i$                      | Input Resistance             |  | 20         | 33         | 50         | $\text{K}\Omega$ |
| $C_{RANGE}$                | Control Range                |  | 45         | 47         | 49         | dB               |
| $A_{VMAX}$                 | Max. Attenuation             |  | 45         | 47         | 49         | dB               |
| $A_{STEP}$                 | Step Resolution              |  | 0.5        | 1          | 1.5        | dB               |
| $E_A$                      | Attenuation Set Error        | $A_V = 0$ to -24dB   | -1.0       | 0          | 1.0        | dB               |
|                            |                              | $A_V = -24$ to -47dB   | -1.5       | 0          | 1.5        | dB               |
| $E_T$                      | Tracking Error               | $A_V = 0$ to -24dB   |            | 0          | 1          | dB               |
|                            |                              | $A_V = -24$ to -47dB   |            | 0          | 2          | dB               |
| $V_{DC}$                   | DC Step                      | adjacent attenuation steps from 0dB to $A_V$ max             |            | 0<br>0.5   | 3          | mV<br>mV         |
| $A_{mute}$                 | Mute Attenuation             |  | 80         | 100        |            | dB               |
| <b>BASS CONTROL (1)</b>    |                              |  |            |            |            |                  |
| $G_b$                      | Control Range                | Max. Boost/cut   | $\pm 12.0$ | $\pm 14.0$ | $\pm 16.0$ | dB               |
| $B_{STEP}$                 | Step Resolution              |  | 1          | 2          | 3          | dB               |
| $R_B$                      | Internal Feedback Resistance |  | 33         | 44         | 55         | $\text{K}\Omega$ |
| <b>TREBLE CONTROL (1)</b>  |                              |  |            |            |            |                  |
| $G_t$                      | Control Range                | Max. Boost/cut   | $\pm 13.0$ | $\pm 14.0$ | $\pm 15.0$ | dB               |
| $T_{STEP}$                 | Step Resolution              |  | 1          | 2          | 3          | dB               |
| <b>MIDDLE CONTROL (1)</b>  |                              |  |            |            |            |                  |
| $G_m$                      | Control Range                | Max. Boost/cut   | $\pm 12.0$ | $\pm 14.0$ | $\pm 16.0$ | dB               |
| $M_{STEP}$                 | Step Resolution              |  | 1          | 2          | 3          | dB               |
| $R_M$                      | Internal Feedback Resistance |  | 18.75      | 25         | 31.25      | $\text{K}\Omega$ |
| <b>SPEAKER ATTENUATORS</b> |                              |  |            |            |            |                  |
| $C_{RANGE}$                | Control Range                |  | 70         | 76         | 82         | dB               |
| $S_{STEP}$                 | Step Resolution              |  | 0.5        | 1          | 1.5        | dB               |
| $E_A$                      | Attenuation Set Error        | $A_V = 0$ to -20dB   | -1.5       | 0          | 1.5        | dB               |
|                            |                              | $A_V = -20$ to -56dB   | -2         | 0          | 2          | dB               |
| $V_{DC}$                   | DC Step                      | adjacent attenuation steps                                   |            | 0          | 3          | mV               |
| $A_{mute}$                 | Mute Attenuation             |  | 80         | 100        |            | dB               |

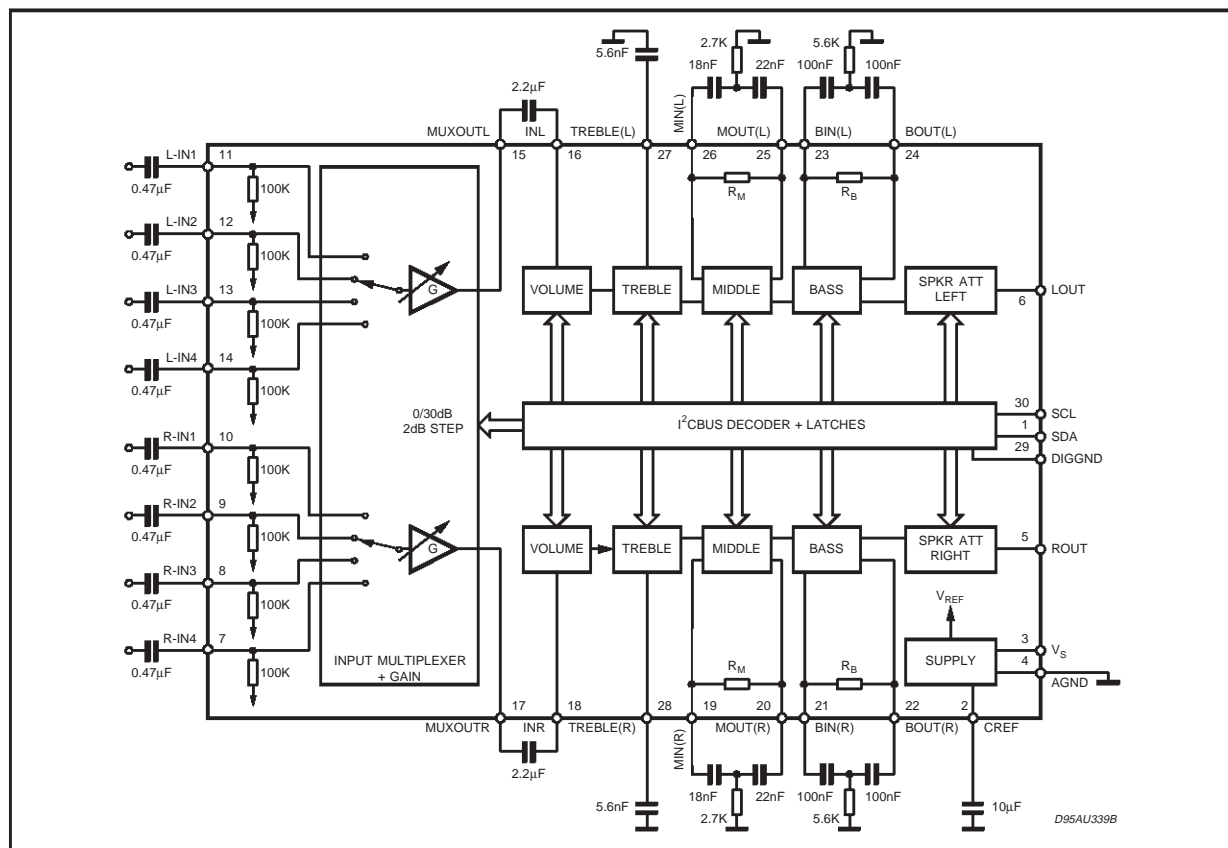
**NOTE1:**

- The device is functionally good at  $V_S = 5\text{V}$ . a step down, on  $V_S$ , to 4V does't reset the device.
- BASS, MIDDLE and TREBLE response: The center frequency and the response quality can be chosen by the external circuitry.

ELECTRICAL CHARACTERISTICS (continued.)

| Symbol               | Parameter                      | Test Condition   | Min. | Typ. | Max. | Unit             |
|----------------------|--------------------------------|--|------|------|------|------------------|
| <b>AUDIO OUTPUTS</b> |                                |  |      |      |      |                  |
| V <sub>CLIP</sub>    | Clipping Level                 | d = 0.3%   | 2.1  | 2.6  |      | V <sub>RMS</sub> |
| R <sub>L</sub>       | Output Load Resistance         |  | 2    |      |      | KΩ               |
| R <sub>O</sub>       | Output Impedance               |  | 10   | 40   | 70   | Ω                |
| V <sub>DC</sub>      | DC Voltage Level               |  | 3.5  | 3.8  | 4.1  | V                |
| <b>GENERAL</b>       |                                |  |      |      |      |                  |
| E <sub>NO</sub>      | Output Noise                   | All gains = 0dB;<br>BW = 20Hz to 20KHz flat              |      | 5    | 15   | μV               |
| E <sub>t</sub>       | Total Tracking Error           | A <sub>V</sub> = 0 to -24dB                              |      | 0    | 1    | dB               |
|                      |                                | A <sub>V</sub> = -24 to -47dB                            |      | 0    | 2    | dB               |
| S/N                  | Signal to Noise Ratio          | All gains 0dB; V <sub>O</sub> = 1V <sub>RMS</sub> ;      | 95   | 106  |      | dB               |
| S <sub>C</sub>       | Channel Separation Left/Right  |  | 80   | 100  |      | dB               |
| d                    | Distortion                     | A <sub>V</sub> = 0; V <sub>I</sub> = 1V <sub>RMS</sub> ; |      | 0.01 | 0.08 | %                |
| <b>BUS INPUT</b>     |                                |  |      |      |      |                  |
| V <sub>IL</sub>      | Input Low Voltage              |  |      |      | 1    | V                |
| V <sub>IH</sub>      | Input High Voltage             |  | 3    |      |      | V                |
| I <sub>IN</sub>      | Input Current                  | V <sub>IN</sub> = 0.4V                                   | -5   | 0    | 5    | μA               |
| V <sub>O</sub>       | Output Voltage SDA Acknowledge | I <sub>O</sub> = 1.6mA                                   |      | 0.4  | 0.8  | V                |

TEST CIRCUIT



**APPLICATION SUGGESTIONS**

The first and the last stages are volume control blocks. The control range is 0 to -47dB (mute) for the first one, 0 to -79dB (mute) for the last one. Both of them have 1dB step resolution. The very high resolution allows the implementation of systems free from any noisy acoustical effect. The TDA7439 audioprocessor provides 3 bands tones control.

**Bass, Middle Stages**

The Bass and the middle cells have the same structure. The Bass cell has an internal resistor  $R_i = 44K\Omega$  typical. The Middle cell has an internal resistor  $R_i = 25K\Omega$  typical. Several filter types can be implemented, connecting external components to the Bass/Middle IN and OUT pins.

Figure 1.

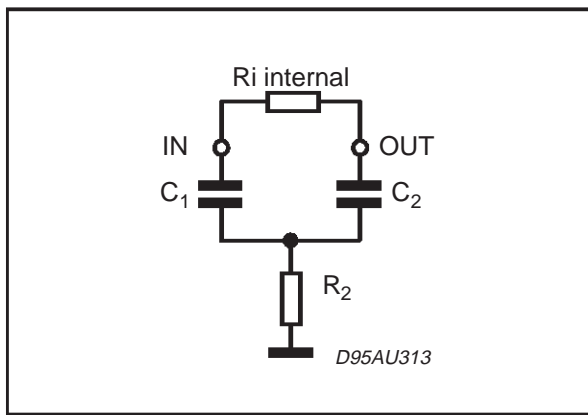
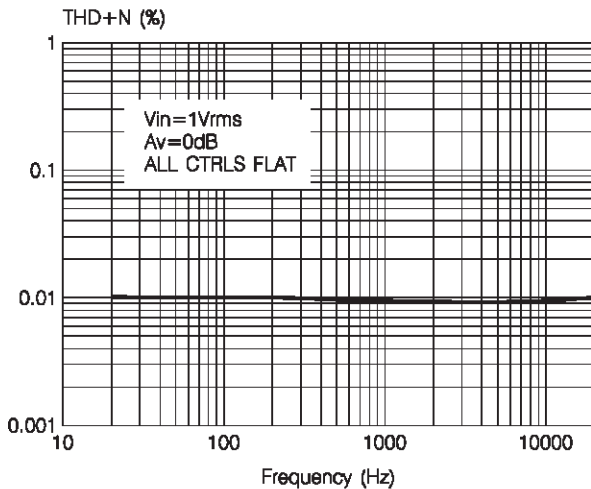


Figure 2: THD vs. frequency



The fig.1 refers to basic T Type Bandpass Filter starting from the filter component values ( $R_1$  internal and  $R_2, C_1, C_2$  external) the centre frequency  $F_c$ , the gain  $A_v$  at max. boost and the filter  $Q$  factor are computed as follows:

$$F_c = \frac{1}{2 \cdot \pi \cdot \sqrt{R_1 \cdot R_2 \cdot C_1 \cdot C_2}}$$

$$A_v = \frac{R_2 C_2 + R_2 C_1 + R_i C_1}{R_2 C_1 + R_2 C_2}$$

$$Q = \frac{\sqrt{R_1 \cdot R_2 \cdot C_1 \cdot C_2}}{R_2 C_1 + R_2 C_2}$$

Viceversa, once  $F_c$ ,  $A_v$ , and  $R_i$  internal value are fixed, the external components values will be:

$$C_1 = \frac{A_v - 1}{2 \cdot \pi \cdot F_c \cdot R_i \cdot Q} \quad C_2 = \frac{Q^2 \cdot C_1}{A_v - 1 - Q^2}$$

$$R_2 = \frac{A_v - 1 - Q^2}{2 \cdot \pi \cdot C_1 \cdot F_c \cdot (A_v - 1) \cdot Q}$$

**Treble Stage**

The treble stage is a high pass filter whose time constant is fixed by an internal resistor (25KΩ typical) and an external capacitor connected between treble pins and ground. Typical responses are reported in Figg. 10 to 13.

**CREF**

The suggested 10μF reference capacitor (CREF) value can be reduced to 4.7μF if the application requires faster power ON.

Figure 3: THD vs. RLOAD

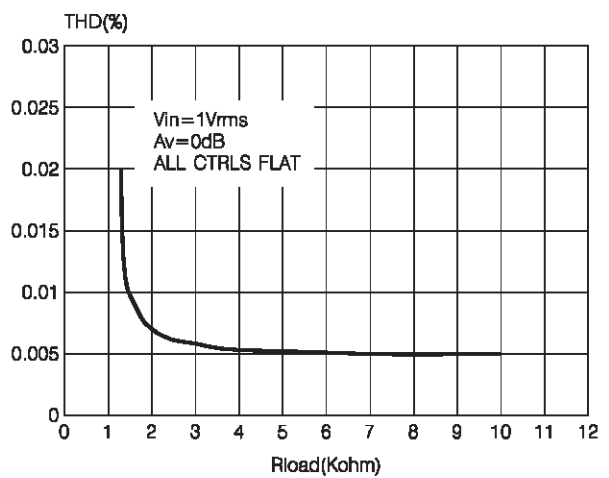


Figure 4: Channel separation vs. frequency

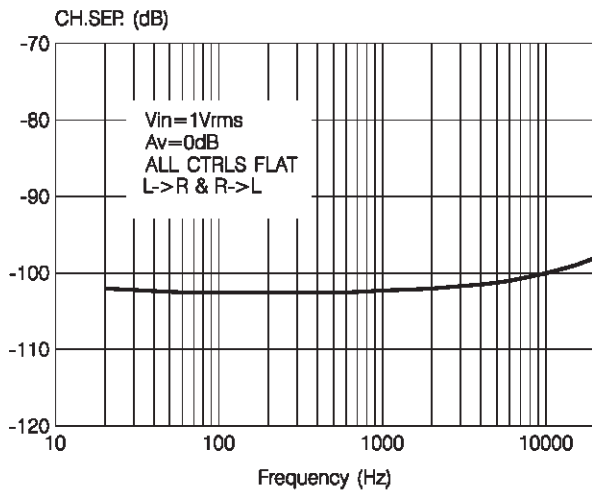


Figure 5: Bass response

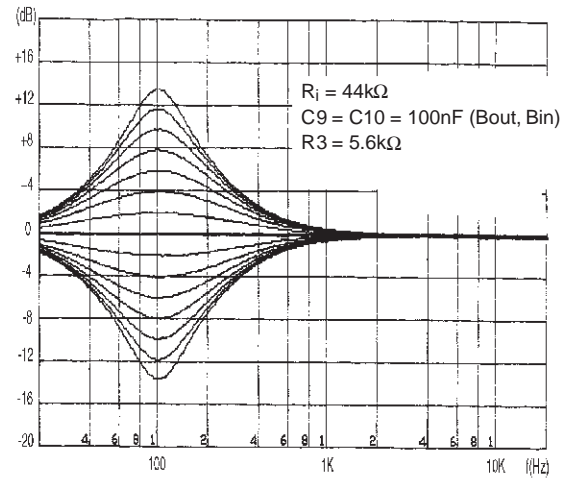


Figure 6: Middle response

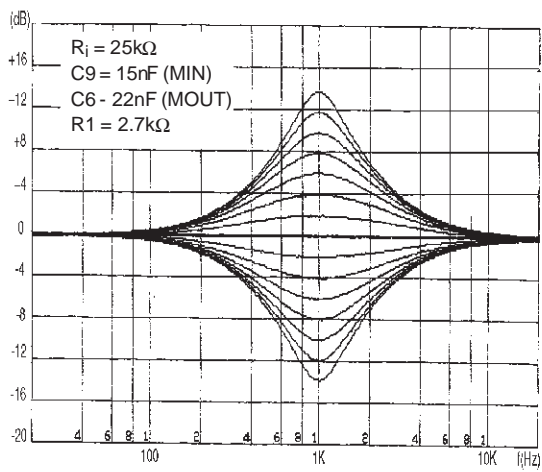


Figure 7: Treble response

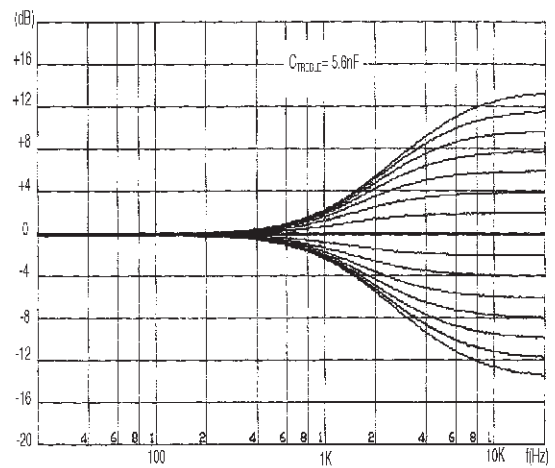
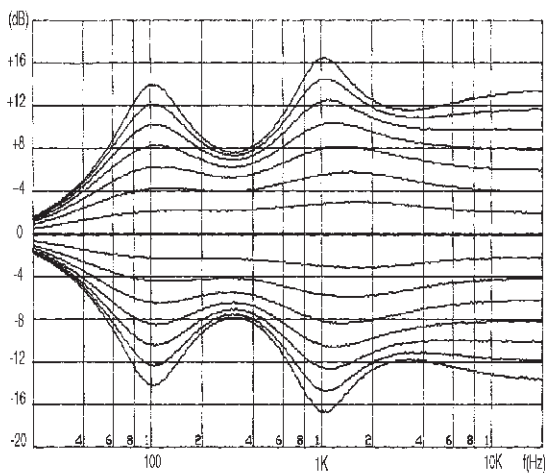


Figure 8: Typical tone response



**I<sup>2</sup>C BUS INTERFACE**

Data transmission from microprocessor to the TDA7439 and vice versa takes place through the 2 wires I<sup>2</sup>C BUS interface, consisting of the two lines SDA and SCL (pull-up resistors to positive supply voltage must be connected).

**Data Validity**

As shown in fig. 9, the data on the SDA line must be stable during the high period of the clock. The HIGH and LOW state of the data line can only change when the clock signal on the SCL line is LOW.

**Start and Stop Conditions**

As shown in fig.10 a start condition is a HIGH to LOW transition of the SDA line while SCL is HIGH. The stop condition is a LOW to HIGH transition of the SDA line while SCL is HIGH.

**Byte Format**

Every byte transferred on the SDA line must contain 8 bits. Each byte must be followed by an ac-

knowledge bit. The MSB is transferred first.

**Acknowledge**

The master (μP) puts a resistive HIGH level on the SDA line during the acknowledge clock pulse (see fig. 11). The peripheral (audio processor) that acknowledges has to pull-down (LOW) the SDA line during this clock pulse.

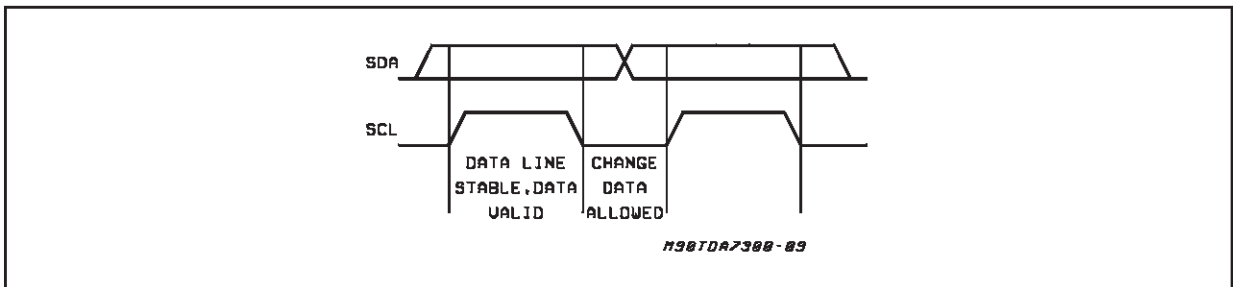
The audio processor which has been addressed has to generate an acknowledge after the reception of each byte, otherwise the SDA line remains at the HIGH level during the ninth clock pulse time. In this case the master transmitter can generate the STOP information in order to abort the transfer.

**Transmission without Acknowledge**

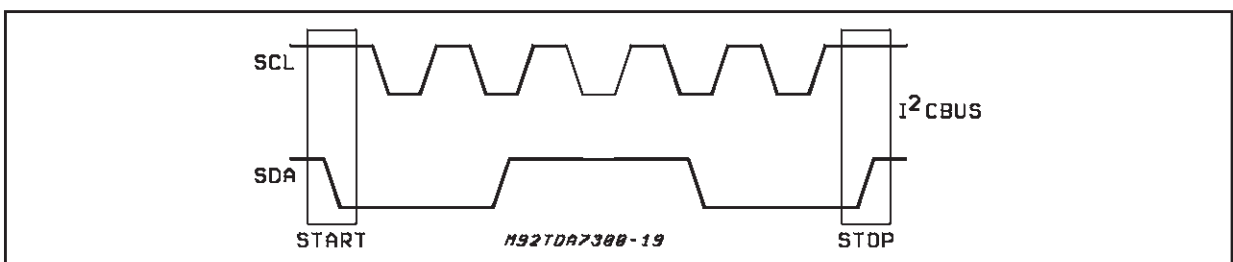
Avoiding to detect the acknowledge of the audio processor, the μP can use a simpler transmission: simply it waits one clock without checking the slave acknowledging, and sends the new data.

This approach of course is less protected from misworking.

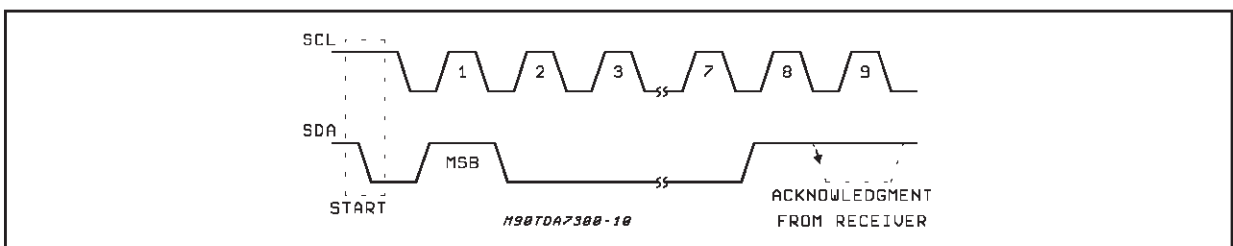
**Figure 9:** Data Validity on the I<sup>2</sup>CBUS



**Figure 10:** Timing Diagram of I<sup>2</sup>CBUS



**Figure 11:** Acknowledge on the I<sup>2</sup>CBUS





**SOFTWARE SPECIFICATION**

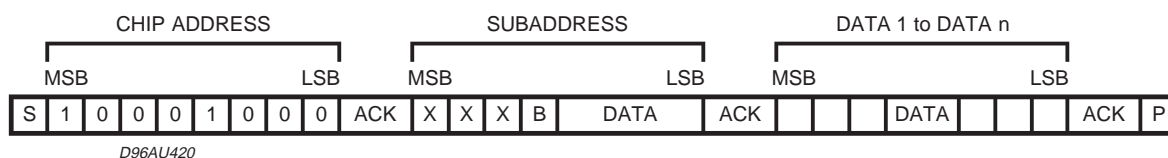
Interface Protocol

The interface protocol comprises:

- A start condition (S)
- A chip address byte, containing the TDA7439

address

- A subaddress bytes
- A sequence of data (N byte + acknowledge)
- A stop condition (P)



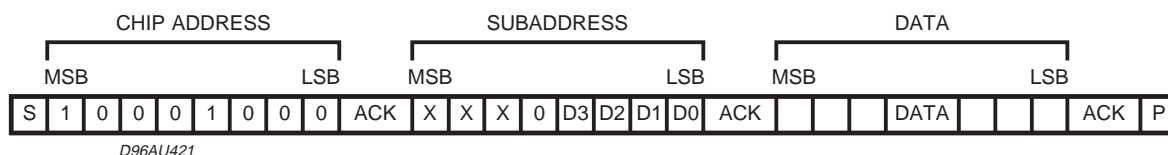
ACK = Acknowledge  
 S = Start  
 P = Stop  
 A = Address  
 B = Auto Increment

**EXAMPLES**

**No Incremental Bus**

The TDA7439 receives a start condition, the cor-

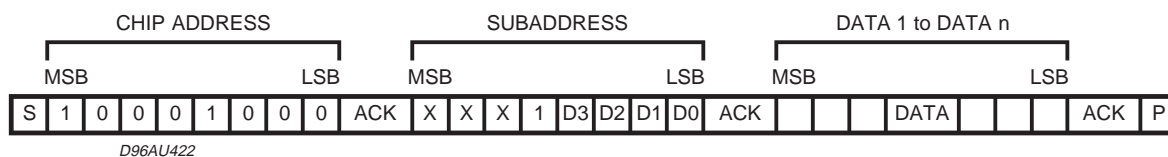
rect chip address, a subaddress with the B = 0 (no incremental bus), N-data (all these data concern the subaddress selected), a stop condition.



**Incremental Bus**

The TDA7439 receive a start conditions, the correct chip address, a subaddress with the B = 1 (incremental bus): now it is in a loop condition with an autoincrease of the subaddress whereas

SUBADDRESS from "XXX1000" to "XXX1111" of DATA are ignored. The DATA 1 concern the subaddress sent, and the DATA 2 concern the subaddress sent plus one in the loop etc, and at the end it receives the stop condition.



## TDA7439

### POWER ON RESET CONDITION

|                 |      |
|-----------------|------|
| INPUT SELECTION | IN2  |
| INPUT GAIN      | 28dB |
| VOLUME          | MUTE |
| BASS            | 0dB  |
| MIDDLE          | 2dB  |
| TREBLE          | 2dB  |
| SPEAKER         | MUTE |

### DATA BYTES

Address = 88 HEX (ADDR:OPEN).

FUNCTION SELECTION: First byte (subaddress)

| MSB |    |    |    |    |    |    | LSB | SUBADDRESS            |
|-----|----|----|----|----|----|----|-----|-----------------------|
| D7  | D6 | D5 | D4 | D3 | D2 | D1 | D0  |                       |
| X   | X  | X  | B  | 0  | 0  | 0  | 0   | INPUT SELECT          |
| X   | X  | X  | B  | 0  | 0  | 0  | 1   | INPUT GAIN            |
| X   | X  | X  | B  | 0  | 0  | 1  | 0   | VOLUME                |
| X   | X  | X  | B  | 0  | 0  | 1  | 1   | BASS                  |
| X   | X  | X  | B  | 0  | 1  | 0  | 0   | MIDDLE                |
| X   | X  | X  | B  | 0  | 1  | 0  | 1   | TREBLE                |
| X   | X  | X  | B  | 0  | 1  | 1  | 0   | SPEAKER ATTENUATE "R" |
| X   | X  | X  | B  | 0  | 1  | 1  | 1   | SPEAKER ATTENUATE "L" |

B = 1: INCREMENTAL BUS ACTIVE

B = 0: NO INCREMENTAL BUS

X = DON'T CARE

### INPUT SELECTION

| MSB |    |    |    |    |    |    | LSB | INPUT MULTIPLEXER |
|-----|----|----|----|----|----|----|-----|-------------------|
| D7  | D6 | D5 | D4 | D3 | D2 | D1 | D0  |                   |
| X   | X  | X  | X  | X  | X  | 0  | 0   | IN4               |
| X   | X  | X  | X  | X  | X  | 0  | 1   | IN3               |
| X   | X  | X  | X  | X  | X  | 1  | 0   | IN2               |
| X   | X  | X  | X  | X  | X  | 1  | 1   | IN1               |

**DATA BYTES (continued)****INPUT GAIN SELECTION**

| MSB |    |    |    |    |    |    | LSB | INPUT GAIN |
|-----|----|----|----|----|----|----|-----|------------|
| D7  | D6 | D5 | D4 | D3 | D2 | D1 | D0  | 2dB STEPS  |
|     |    |    |    | 0  | 0  | 0  | 0   | 0dB        |
|     |    |    |    | 0  | 0  | 0  | 1   | 2dB        |
|     |    |    |    | 0  | 0  | 1  | 0   | 4dB        |
|     |    |    |    | 0  | 0  | 1  | 1   | 6dB        |
|     |    |    |    | 0  | 1  | 0  | 0   | 8dB        |
|     |    |    |    | 0  | 1  | 0  | 1   | 10dB       |
|     |    |    |    | 0  | 1  | 1  | 0   | 12dB       |
|     |    |    |    | 0  | 1  | 1  | 1   | 14dB       |
|     |    |    |    | 1  | 0  | 0  | 0   | 16dB       |
|     |    |    |    | 1  | 0  | 0  | 1   | 18dB       |
|     |    |    |    | 1  | 0  | 1  | 0   | 20dB       |
|     |    |    |    | 1  | 0  | 1  | 1   | 22dB       |
|     |    |    |    | 1  | 1  | 0  | 0   | 24dB       |
|     |    |    |    | 1  | 1  | 0  | 1   | 26dB       |
|     |    |    |    | 1  | 1  | 1  | 0   | 28dB       |
|     |    |    |    | 1  | 1  | 1  | 1   | 30dB       |

GAIN = 0 to 30dB

**VOLUME SELECTION**

| MSB |    |    |    |    |    |    | LSB | VOLUME    |
|-----|----|----|----|----|----|----|-----|-----------|
| D7  | D6 | D5 | D4 | D3 | D2 | D1 | D0  | 1dB STEPS |
|     |    |    |    |    | 0  | 0  | 0   | 0dB       |
|     |    |    |    |    | 0  | 0  | 1   | -1dB      |
|     |    |    |    |    | 0  | 1  | 0   | -2dB      |
|     |    |    |    |    | 0  | 1  | 1   | -3dB      |
|     |    |    |    |    | 1  | 0  | 0   | -4dB      |
|     |    |    |    |    | 1  | 0  | 1   | -5dB      |
|     |    |    |    |    | 1  | 1  | 0   | -6dB      |
|     |    |    |    |    | 1  | 1  | 1   | -7dB      |
|     | 0  | 0  | 0  | 0  |    |    |     | 0dB       |
|     | 0  | 0  | 0  | 1  |    |    |     | -8dB      |
|     | 0  | 0  | 1  | 0  |    |    |     | -16dB     |
|     | 0  | 0  | 1  | 1  |    |    |     | -24dB     |
|     | 0  | 1  | 0  | 0  |    |    |     | -32dB     |
|     | 0  | 1  | 0  | 1  |    |    |     | -40dB     |
|     | X  | 1  | 1  | 1  | X  | X  | X   | MUTE      |

VOLUME = 0 to 47dB/MUTE

## DATA BYTES (continued)

## BASS SELECTION

| MSB |    |    |    |    |    |    | LSB | BASS      |
|-----|----|----|----|----|----|----|-----|-----------|
| D7  | D6 | D5 | D4 | D3 | D2 | D1 | D0  | 2dB STEPS |
|     |    |    |    | 0  | 0  | 0  | 0   | -14dB     |
|     |    |    |    | 0  | 0  | 0  | 1   | -12dB     |
|     |    |    |    | 0  | 0  | 1  | 0   | -10dB     |
|     |    |    |    | 0  | 0  | 1  | 1   | -8dB      |
|     |    |    |    | 0  | 1  | 0  | 0   | -6dB      |
|     |    |    |    | 0  | 1  | 0  | 1   | -4dB      |
|     |    |    |    | 0  | 1  | 1  | 0   | -2dB      |
|     |    |    |    | 0  | 1  | 1  | 1   | 0dB       |
|     |    |    |    | 1  | 1  | 1  | 1   | 0dB       |
|     |    |    |    | 1  | 1  | 1  | 0   | 2dB       |
|     |    |    |    | 1  | 1  | 0  | 1   | 4dB       |
|     |    |    |    | 1  | 1  | 0  | 0   | 6dB       |
|     |    |    |    | 1  | 0  | 1  | 1   | 8dB       |
|     |    |    |    | 1  | 0  | 1  | 0   | 10dB      |
|     |    |    |    | 1  | 0  | 0  | 1   | 12dB      |
|     |    |    |    | 1  | 0  | 0  | 0   | 14dB      |

## MIDDLE SELECTION

| MSB |    |    |    |    |    |    | LSB | MIDDLE    |
|-----|----|----|----|----|----|----|-----|-----------|
| D7  | D6 | D5 | D4 | D3 | D2 | D1 | D0  | 2dB STEPS |
|     |    |    |    | 0  | 0  | 0  | 0   | -14dB     |
|     |    |    |    | 0  | 0  | 0  | 1   | -12dB     |
|     |    |    |    | 0  | 0  | 1  | 0   | -10dB     |
|     |    |    |    | 0  | 0  | 1  | 1   | -8dB      |
|     |    |    |    | 0  | 1  | 0  | 0   | -6dB      |
|     |    |    |    | 0  | 1  | 0  | 1   | -4dB      |
|     |    |    |    | 0  | 1  | 1  | 0   | -2dB      |
|     |    |    |    | 0  | 1  | 1  | 1   | 0dB       |
|     |    |    |    | 1  | 1  | 1  | 1   | 0dB       |
|     |    |    |    | 1  | 1  | 1  | 0   | 2dB       |
|     |    |    |    | 1  | 1  | 0  | 1   | 4dB       |
|     |    |    |    | 1  | 1  | 0  | 0   | 6dB       |
|     |    |    |    | 1  | 0  | 1  | 1   | 8dB       |
|     |    |    |    | 1  | 0  | 1  | 0   | 10dB      |
|     |    |    |    | 1  | 0  | 0  | 1   | 12dB      |
|     |    |    |    | 1  | 0  | 0  | 0   | 14dB      |

**DATA BYTES (continued)**

## TREBLE SELECTION

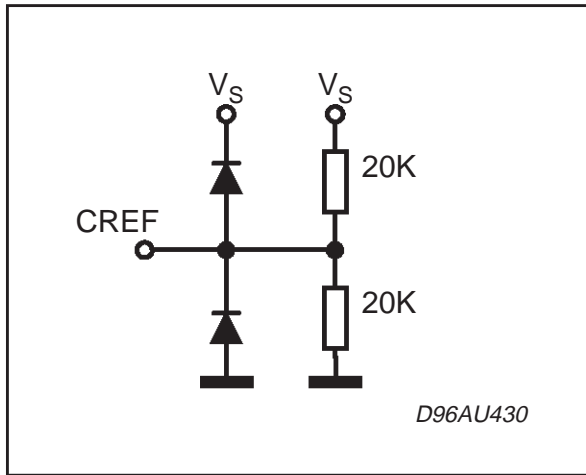
| MSB |    |    |    |    |    |    | LSB | TREBLE    |
|-----|----|----|----|----|----|----|-----|-----------|
| D7  | D6 | D5 | D4 | D3 | D2 | D1 | D0  | 2dB STEPS |
|     |    |    |    | 0  | 0  | 0  | 0   | -14dB     |
|     |    |    |    | 0  | 0  | 0  | 1   | -12dB     |
|     |    |    |    | 0  | 0  | 1  | 0   | -10dB     |
|     |    |    |    | 0  | 0  | 1  | 1   | -8dB      |
|     |    |    |    | 0  | 1  | 0  | 0   | -6dB      |
|     |    |    |    | 0  | 1  | 0  | 1   | -4dB      |
|     |    |    |    | 0  | 1  | 1  | 0   | -2dB      |
|     |    |    |    | 0  | 1  | 1  | 1   | 0dB       |
|     |    |    |    | 1  | 1  | 1  | 1   | 0dB       |
|     |    |    |    | 1  | 1  | 1  | 0   | 2dB       |
|     |    |    |    | 1  | 1  | 0  | 1   | 4dB       |
|     |    |    |    | 1  | 1  | 0  | 0   | 6dB       |
|     |    |    |    | 1  | 0  | 1  | 1   | 8dB       |
|     |    |    |    | 1  | 0  | 1  | 0   | 10dB      |
|     |    |    |    | 1  | 0  | 0  | 1   | 12dB      |
|     |    |    |    | 1  | 0  | 0  | 0   | 14dB      |

## SPEAKER ATTENUATE SELECTION

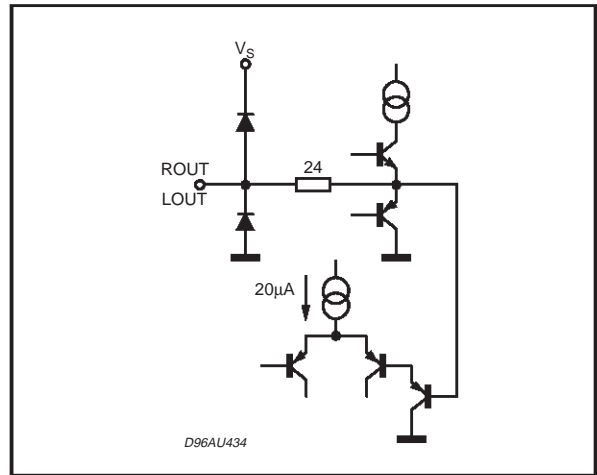
| MSB |    |    |    |    |    |    | LSB | SPEAKER ATTENUATION |
|-----|----|----|----|----|----|----|-----|---------------------|
| D7  | D6 | D5 | D4 | D3 | D2 | D1 | D0  | 1dB                 |
|     |    |    |    |    | 0  | 0  | 0   | 0dB                 |
|     |    |    |    |    | 0  | 0  | 1   | -1dB                |
|     |    |    |    |    | 0  | 1  | 0   | -2dB                |
|     |    |    |    |    | 0  | 1  | 1   | -3dB                |
|     |    |    |    |    | 1  | 0  | 0   | -4dB                |
|     |    |    |    |    | 1  | 0  | 1   | -5dB                |
|     |    |    |    |    | 1  | 1  | 0   | -6dB                |
|     |    |    |    |    | 1  | 1  | 1   | -7dB                |
|     |    |    |    |    |    |    |     |                     |
|     | 0  | 0  | 0  | 0  |    |    |     | 0dB                 |
|     | 0  | 0  | 0  | 1  |    |    |     | -8dB                |
|     | 0  | 0  | 1  | 0  |    |    |     | -16dB               |
|     | 0  | 0  | 1  | 1  |    |    |     | -24dB               |
|     | 0  | 1  | 0  | 0  |    |    |     | -32dB               |
|     | 0  | 1  | 0  | 1  |    |    |     | -40dB               |
|     | 0  | 1  | 1  | 0  |    |    |     | -48dB               |
|     | 0  | 1  | 1  | 1  |    |    |     | -56dB               |
|     | 1  | 0  | 0  | 0  |    |    |     | -64dB               |
|     | 1  | 0  | 0  | 1  |    |    |     | -72dB               |
|     | 1  | 1  | 1  | 1  | X  | X  | X   | MUTE                |

SPEAKER ATTENUATION = 0 to -79dB/MUTE

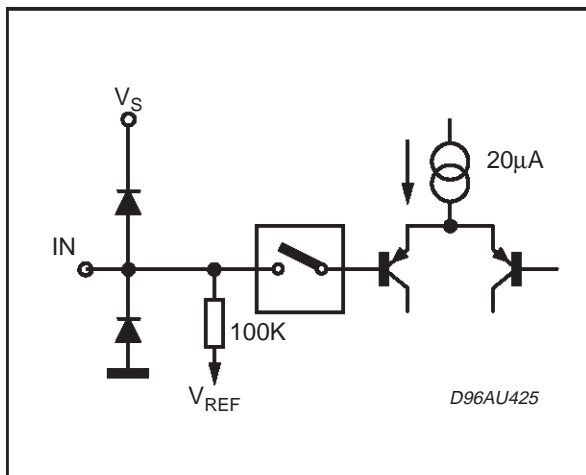
PINS: 2



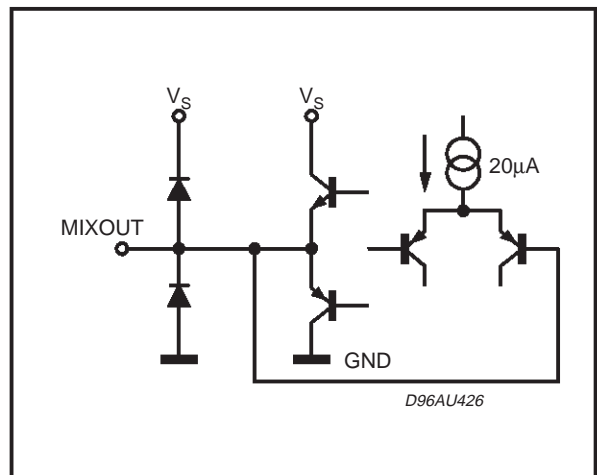
PINS: 5, 6



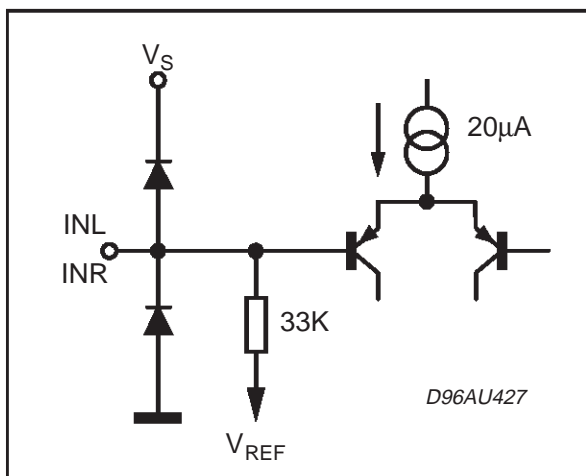
PINS: 7, 8, 9, 10, 11, 12, 13, 14



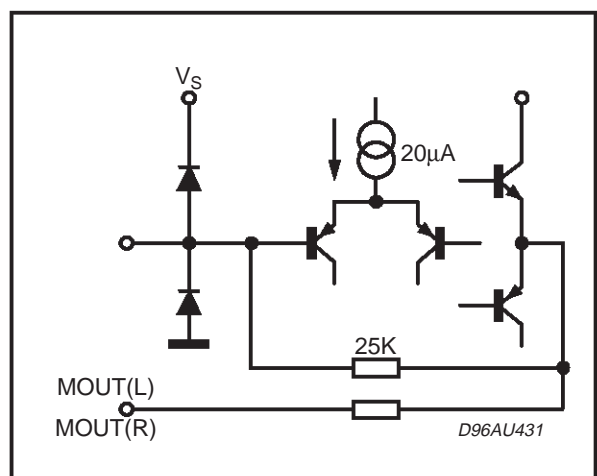
PINS: 15, 17



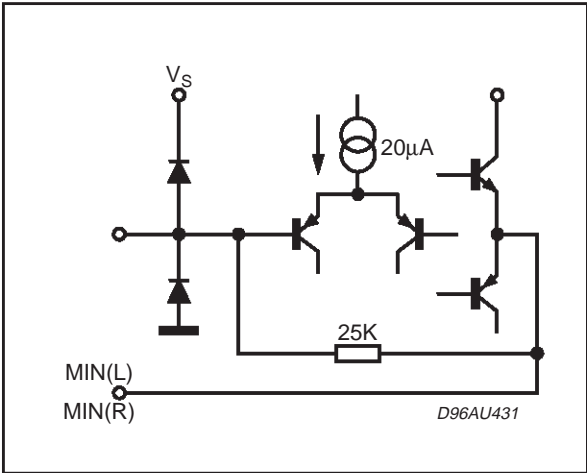
PINS: 16, 18



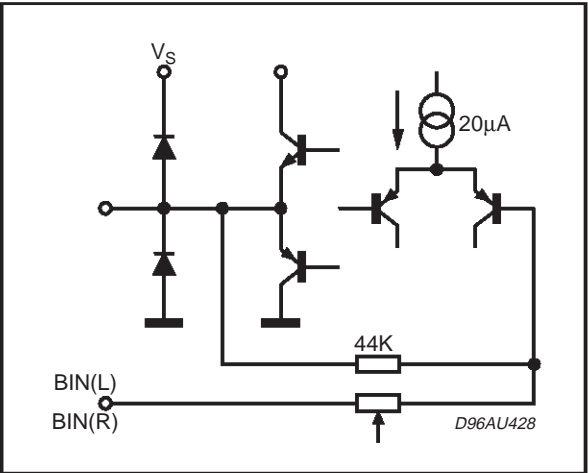
PINS: 20, 25



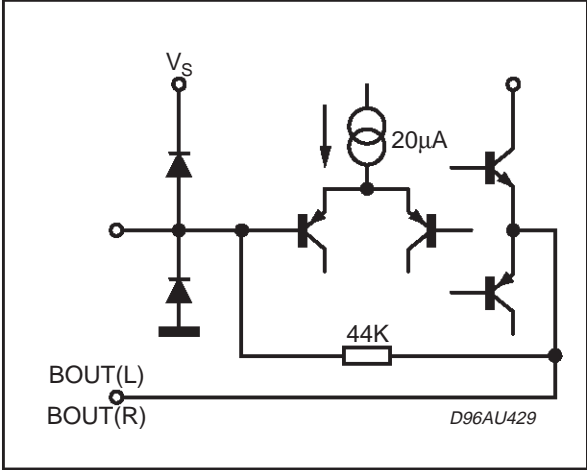
PINS: 19, 26



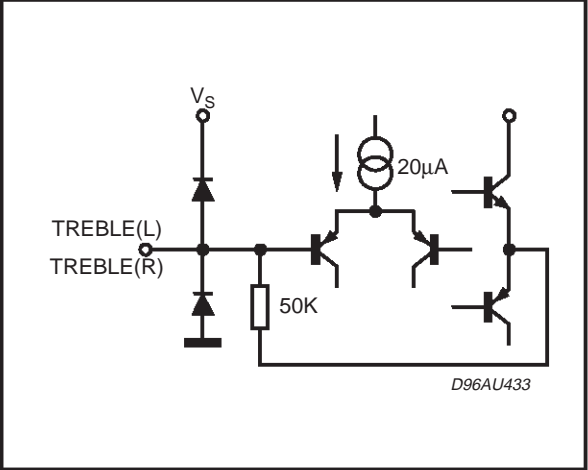
PINS: 21, 23



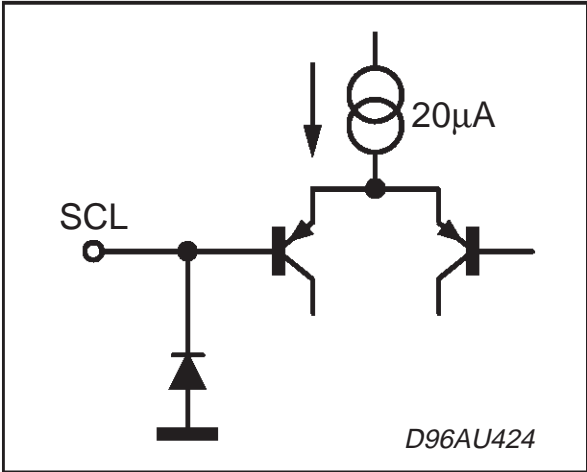
PINS: 22, 24



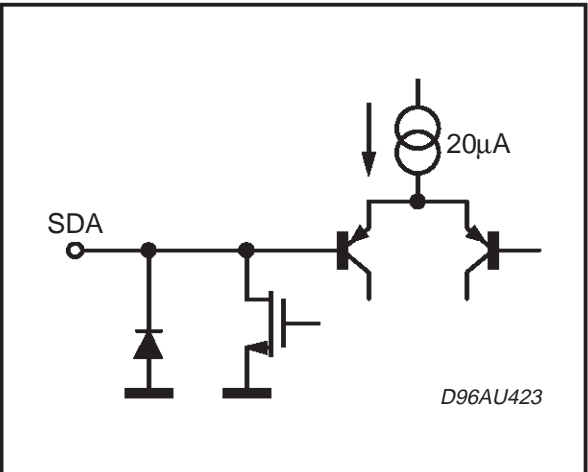
PINS: 27, 28



PINS: 30

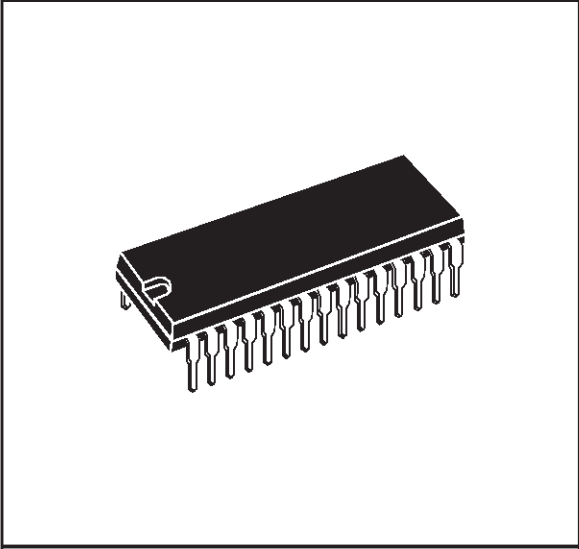


PINS: 1

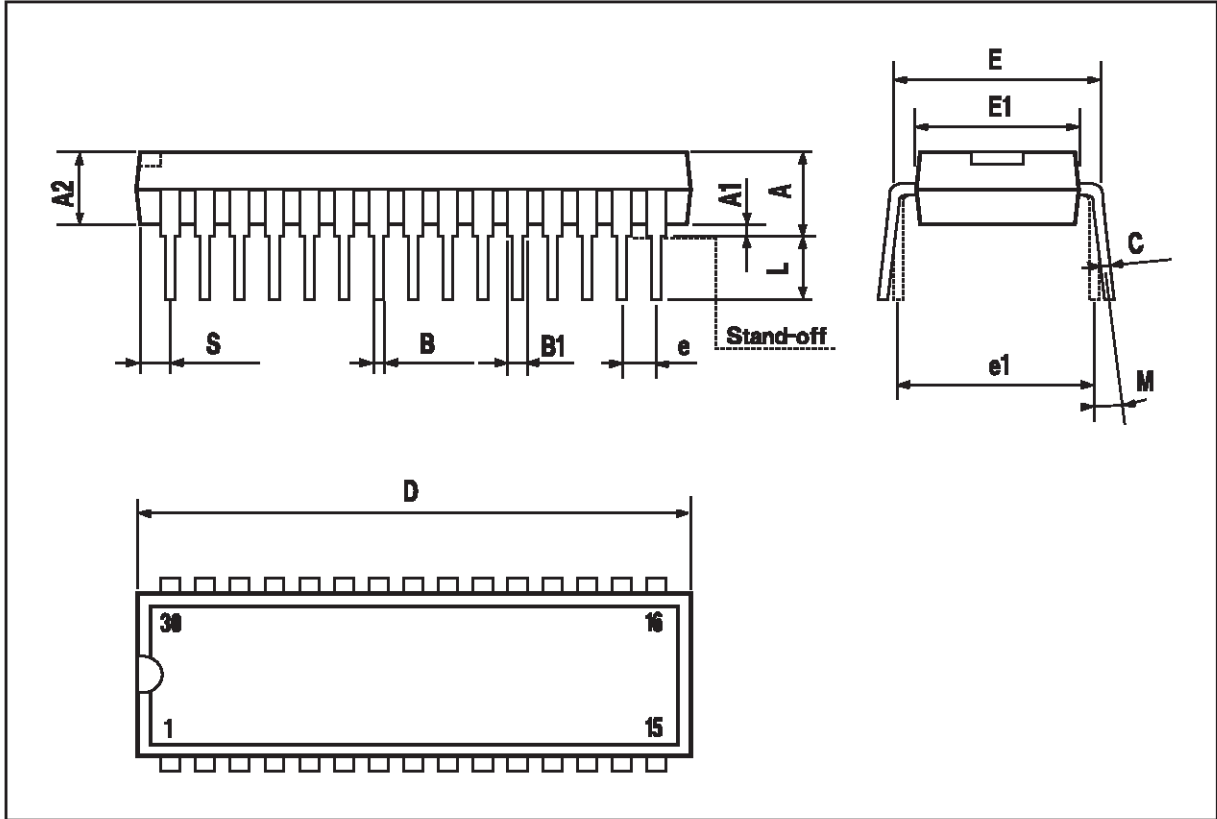


| DIM. | mm                  |       |       | inch  |       |       |
|------|---------------------|-------|-------|-------|-------|-------|
|      | MIN.                | TYP.  | MAX.  | MIN.  | TYP.  | MAX.  |
| A    |                     |       | 5.08  |       |       | 0.20  |
| A1   | 0.51                |       |       | 0.020 |       |       |
| A2   | 3.05                | 3.81  | 4.57  | 0.12  | 0.15  | 0.18  |
| B    | 0.36                | 0.46  | 0.56  | 0.014 | 0.018 | 0.022 |
| B1   | 0.76                | 0.99  | 1.40  | 0.030 | 0.039 | 0.055 |
| C    | 0.20                | 0.25  | 0.36  | 0.008 | 0.01  | 0.014 |
| D    | 27.43               | 27.94 | 28.45 | 1.08  | 1.10  | 1.12  |
| E    | 10.16               | 10.41 | 11.05 | 0.400 | 0.410 | 0.435 |
| E1   | 8.38                | 8.64  | 9.40  | 0.330 | 0.340 | 0.370 |
| e    |                     | 1.778 |       |       | 0.070 |       |
| e1   |                     | 10.16 |       |       | 0.400 |       |
| L    | 2.54                | 3.30  | 3.81  | 0.10  | 0.13  | 0.15  |
| M    | 0°(min.), 15°(max.) |       |       |       |       |       |
| S    | 0.31                |       |       | 0.012 |       |       |

**OUTLINE AND MECHANICAL DATA**



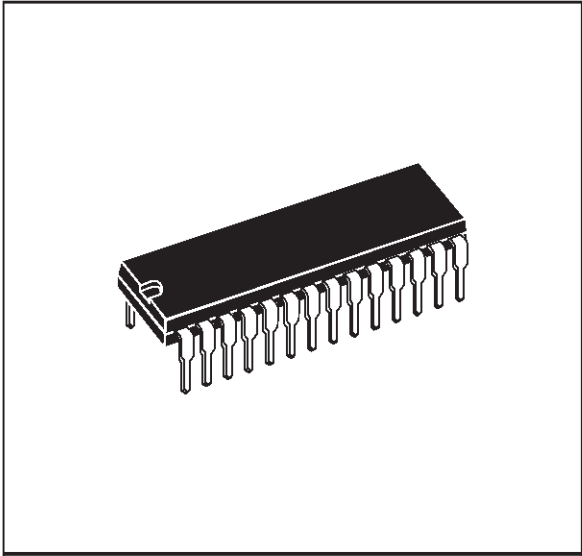
**SDIP30 (0.400")**



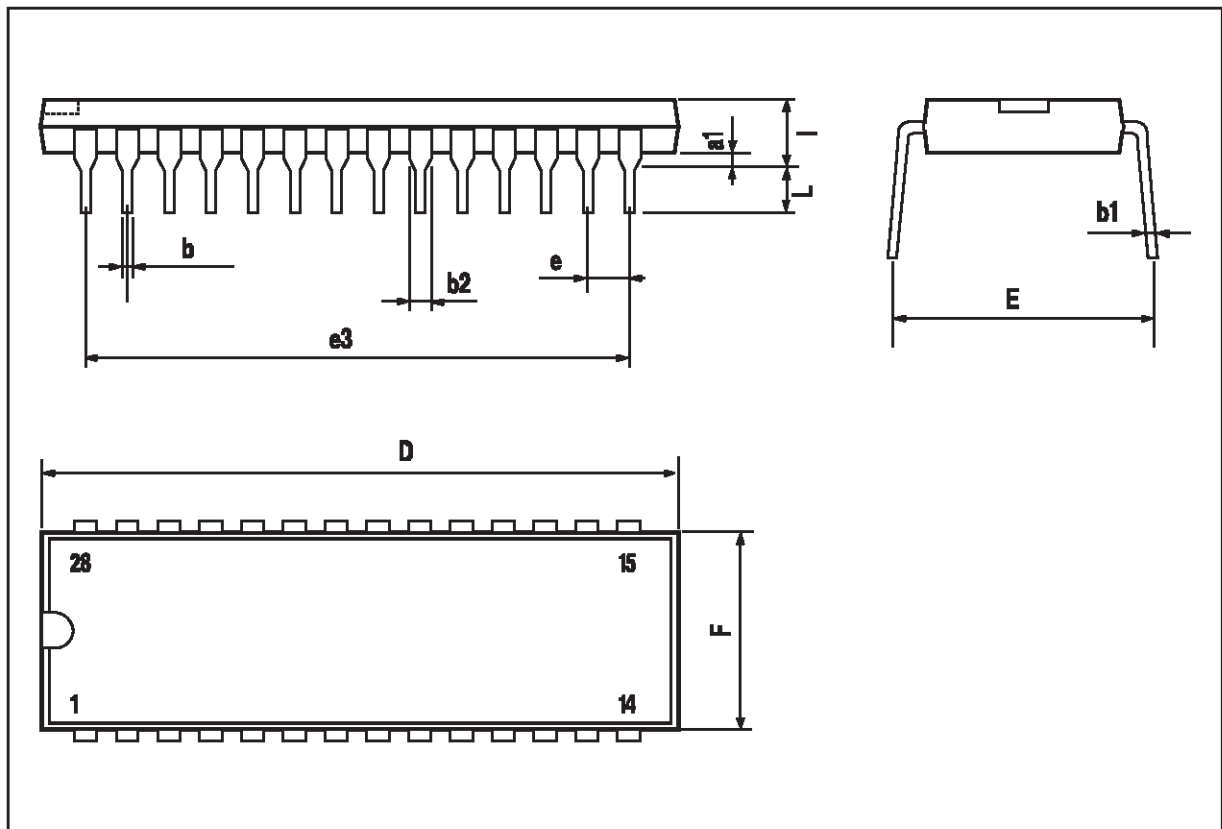


| DIM. | mm   |       |       | inch  |       |       |
|------|------|-------|-------|-------|-------|-------|
|      | MIN. | TYP.  | MAX.  | MIN.  | TYP.  | MAX.  |
| a1   |      | 0.63  |       |       | 0.025 |       |
| b    |      | 0.45  |       |       | 0.018 |       |
| b1   | 0.23 |       | 0.31  | 0.009 |       | 0.012 |
| b2   |      | 1.27  |       |       | 0.050 |       |
| D    |      |       | 37.34 |       |       | 1.470 |
| E    | 15.2 |       | 16.68 | 0.598 |       | 0.657 |
| e    |      | 2.54  |       |       | 0.100 |       |
| e3   |      | 33.02 |       |       | 1.300 |       |
| F    |      |       | 14.1  |       |       | 0.555 |
| I    |      | 4.445 |       |       | 0.175 |       |
| L    |      | 3.3   |       |       | 0.130 |       |

**OUTLINE AND MECHANICAL DATA**



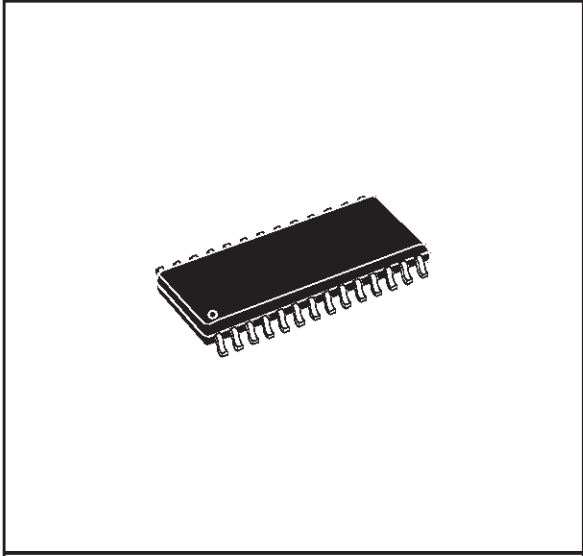
**DIP28**



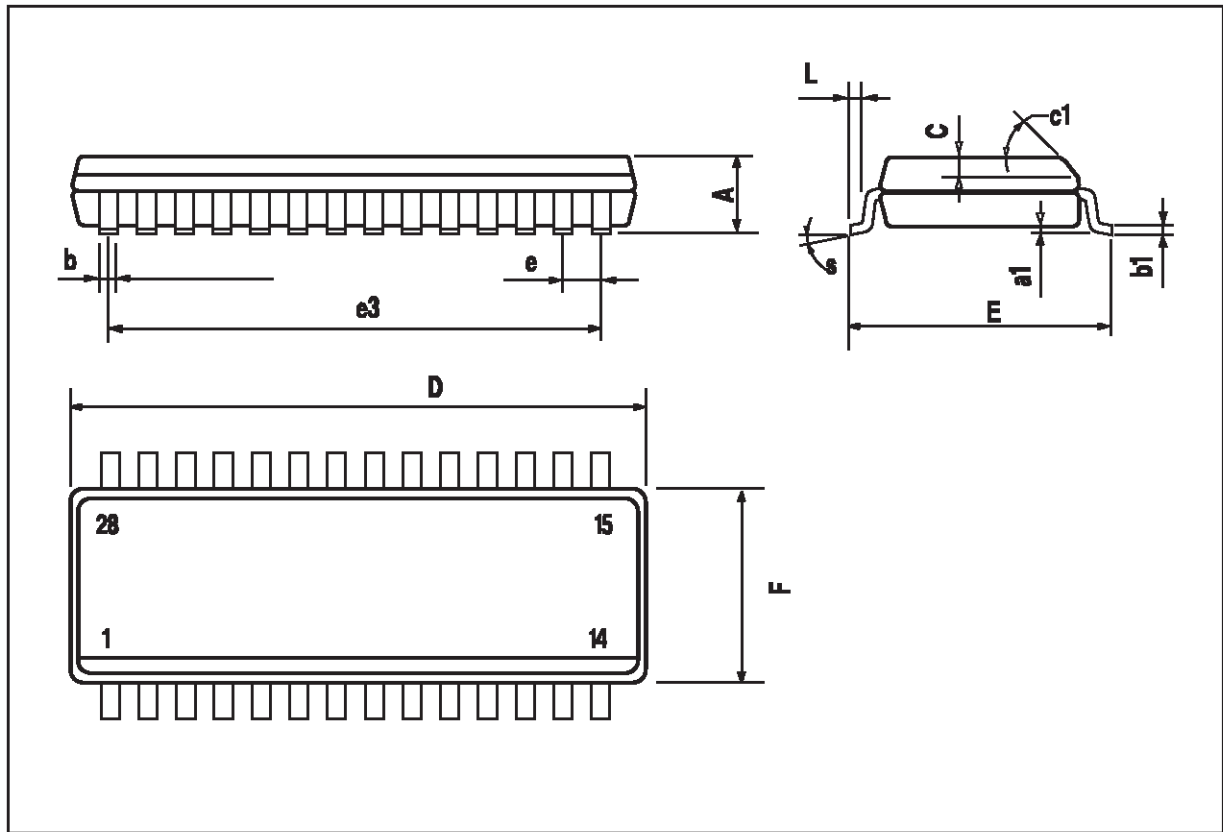
**TDA7439**

| DIM. | mm         |       |       | inch  |       |       |
|------|------------|-------|-------|-------|-------|-------|
|      | MIN.       | TYP.  | MAX.  | MIN.  | TYP.  | MAX.  |
| A    |            |       | 2.65  |       |       | 0.104 |
| a1   | 0.1        |       | 0.3   | 0.004 |       | 0.012 |
| b    | 0.35       |       | 0.49  | 0.014 |       | 0.019 |
| b1   | 0.23       |       | 0.32  | 0.009 |       | 0.013 |
| C    |            | 0.5   |       |       | 0.020 |       |
| c1   | 45° (typ.) |       |       |       |       |       |
| D    | 17.7       |       | 18.1  | 0.697 |       | 0.713 |
| E    | 10         |       | 10.65 | 0.394 |       | 0.419 |
| e    |            | 1.27  |       |       | 0.050 |       |
| e3   |            | 16.51 |       |       | 0.65  |       |
| F    | 7.4        |       | 7.6   | 0.291 |       | 0.299 |
| L    | 0.4        |       | 1.27  | 0.016 |       | 0.050 |
| S    | 8° (max.)  |       |       |       |       |       |

**OUTLINE AND MECHANICAL DATA**



**SO28**



Information furnished is believed to be accurate and reliable. However, STMicroelectronics assumes no responsibility for the consequences of use of such information nor for any infringement of patents or other rights of third parties which may result from its use. No license is granted by implication or otherwise under any patent or patent rights of STMicroelectronics. Specification mentioned in this publication are subject to change without notice. This publication supersedes and replaces all information previously supplied. STMicroelectronics products are not authorized for use as critical components in life support devices or systems without express written approval of STMicroelectronics.

The ST logo is a registered trademark of STMicroelectronics  
© 1999 STMicroelectronics – Printed in Italy – All Rights Reserved  
STMicroelectronics GROUP OF COMPANIES

Australia - Brazil - Canada - China - France - Germany - Italy - Japan - Korea - Malaysia - Malta - Mexico - Morocco - The Netherlands -  
Singapore - Spain - Sweden - Switzerland - Taiwan - Thailand - United Kingdom - U.S.A.  
<http://www.st.com>