



Solid State Devices, Inc.

14830 Valley View Blvd * La Mirada, Ca 90638

Phone: (562) 404-7855 * Fax: (562) 404-1773

ssdi@ssdi-power.com * www.ssdi-power.com

SDA113 Series

7.5 A / 1000V THREE PHASE BRIDGE RECTIFIER ASSEMBLY

DESIGNER'S DATA SHEET

Part Number / Ordering Information ^{1/}

SDA113

Lead Bend ^{3/} = Straight Leads
 UB = Up Bend
 DB = Down Bend

Terminals ^{2/3/} L = Copper Leads
 _ = Turret Terminals

Voltage A = 50 V
 B = 100 V
 C = 200 V
 D = 400 V
 E = 600 V
 F = 800 V
 G = 1000 V

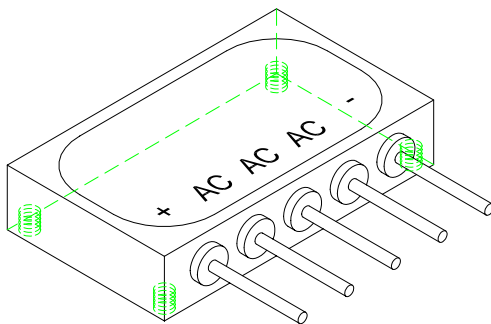
Features:

- Higher Blocking Voltage Available. Contact Factory.
- High Output Current 7.5 Amps
- Low Reverse Leakage Current
- Constructed with Void-free, Hermetically Sealed Discretes
- Aluminum Case for Maximum Thermal Conductivity
- Small Package Size (1.500 x 0.875 x 0.310")
- TX and TXV & S Level Screening Available
- Fast, Ultra Fast, & Hyper Fast Versions Available. Contact Factory.

Maximum Ratings

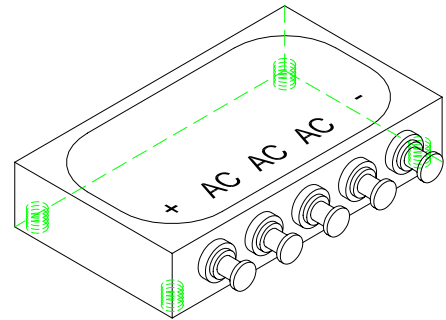
	Symbol	Value	Units
Peak Repetitive and Peak Surge Reverse Voltage	V_{RRM} V_{RSM} V_R	See Voltage Key	Volts
Average Rectified Forward Current ^{4/} (Resistive Load, 60 Hz Sine Wave)	I_o	7.5 5.5	Amps
Peak Surge Current (8.3 ms Pulse, Half Sine Wave, $T_A = 25^\circ\text{C}$, per leg)	I_{FSM}	50	Amps
Operating & Storage Temperature	T_{op} & T_{stg}	-55 to +150	$^\circ\text{C}$
Maximum Thermal Resistance, Junction to Case	$R_{\theta JC}$	4.5	$^\circ\text{C/W}$

SDA113 (L)



Lead Dia = .050" Lead Length = 0.5" min

SDA113



NOTE: All specifications are subject to change without notification. SCD's for these devices should be reviewed by SSDI prior to release.

DATA SHEET #: RA0047A

DOC



Solid State Devices, Inc.

14830 Valley View Blvd * La Mirada, Ca 90638

Phone: (562) 404-7855 * Fax: (562) 404-1773

ssdi@ssdi-power.com * www.ssdi-power.com

SDA113 Series

Electrical Characteristic ^{5/}		Symbol	Min	Typ	Max	Units
Instantaneous Forward Voltage Drop ($T_A = 25^\circ\text{C}$, 300 - 500 μsec pulse)	$I_F = 3\text{A}$	V_{F1}	—	—	1.1	Volts
Reverse Leakage Current (Rated V_R , $T_A = 25^\circ\text{C}$, 300 μsec pulse minimum)		I_{R1}	—	—	5	μA
Reverse Leakage Current (Rated V_R , $T_A = 100^\circ\text{C}$, 300 μsec pulse minimum)		I_{R2}	—	—	50	μA

NOTES:

* Pulse Test: Pulse Width = 300 μsec , Duty Cycle = 2%

1/ For Ordering Information, Price, and Availability Contact Factory.

2/ For Package Outlines Contact Factory.

3/ Up and Down Bend Configurations are Available for '___' (Leaded) Packages Only.

4/ Derate Linearly at 0.28A/ $^\circ\text{C}$ for $T_C > 55^\circ\text{C}$.

5/ Unless Otherwise Specified, All Electrical Characteristics @25 $^\circ\text{C}$.

Mounting Diagram: ^{2/}

