

**HIGH ISOLATION VOLTAGE HIGH SPEED PHOTOCOUPPLER**

PS9601, PS9601L are optically coupled isolators containing a GaAlAs LED on light emitting side (input side) and a photodiode and a signal processing circuit on light receiving side (output side) on one chip.

PS9601 is in a plastic DIP (Dual In-line Package) and PS9601L is lead bending type (Gull-wing) for surface mount.

**FEATURES**

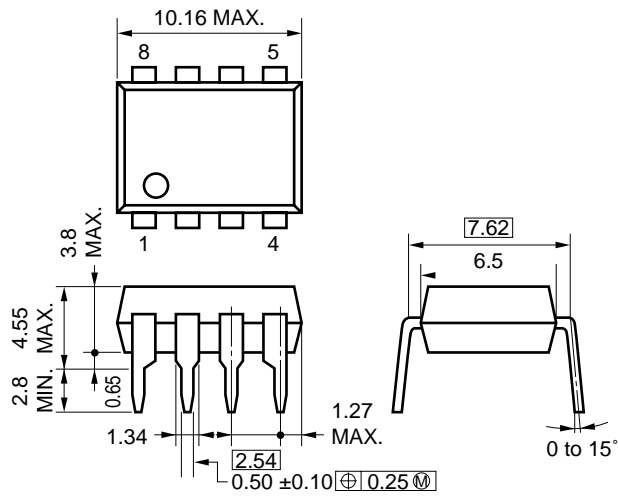
- High isolation voltage                      BV: 5 000 V<sub>r.m.s.</sub> MIN.
- High Propagation delay time              t<sub>PHL</sub>, t<sub>PLH</sub>: 50 ns TYP.
- Low input current                            I<sub>FHL</sub>: 2.5 mA TYP.
- Can be soldered by infrared reflow soldering
- Taping product number PS9601L-E3, E4
- UL recognized                                File No. E72422 (S)

**APPLICATIONS**

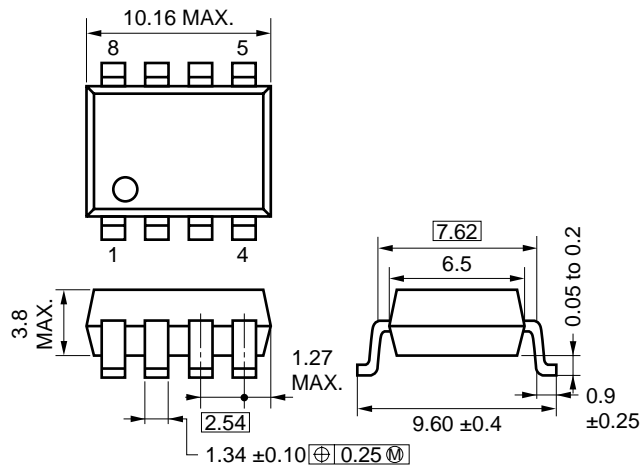
- Computer and peripheral memory
- Electronic instrument
- Audio-visual

PACKAGE DIMENSIONS (Unit: mm)

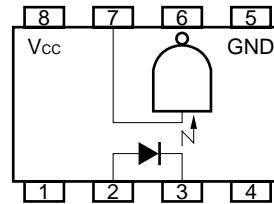
PS9601



PS9601L



PIN CONNECTIONS (Top View)



	PIN	Function
INPUT	1.	NC
	2.	Anode
	3.	Cathode
	4.	NC
OUTPUT	5.	GND
	6.	V <sub>o</sub>
	7.	V <sub>E</sub> *
	8.	V <sub>cc</sub>

\*V<sub>E</sub> is pulled-up to

**ABSOLUTE MAXIMUM RATINGS (T<sub>A</sub> = 25 °C)**

Diode			
Forward Current	I <sub>F</sub>	30	mA
Reverse Voltage	V <sub>R</sub>	5	V
Power Dissipation	P <sub>D</sub>	60	mW
Detector			
Supply Voltage	V <sub>CC</sub>	7	V
Output Voltage	V <sub>O</sub>	7	V
Output Current	I <sub>O</sub>	50	mA
Enable Voltage	V <sub>E</sub>	5.5	V
Power Dissipation	P <sub>C</sub>	85	mW
Isolation Voltage *1	BV	5 000	V <sub>r.m.s.</sub>
Operating Temperature	T <sub>opt</sub>	-40 to +85	°C
Storage Temperature	T <sub>stg</sub>	-55 to +125	°C

\*1 AC voltage for 1 minute T<sub>A</sub> = 25 °C, RH = 60 % between input and output.

**RECOMMENDED OPERATING CONDITIONS (T<sub>A</sub> = 25 °C)**

PARAMETER	SYMBOL	MIN.	TYP.	MAX.	UNIT
Low Level Input Current	I <sub>FL</sub>	0		250	μA
High Level Input Current	I <sub>FH</sub>	7	10	15	mA
High Level Enable Voltage	V <sub>EH</sub>	2		V <sub>CC</sub>	V
High Level Enable Voltage	V <sub>EL</sub>	0		0.8	V
Supply Voltage	V <sub>CC</sub>	4.5	5	5.5	V
Operating Temperature	T <sub>opt</sub>	0	25	70	°C

\* By-pass capacitor of more than 0.1 μF is used between V<sub>CC</sub> and GND near device.

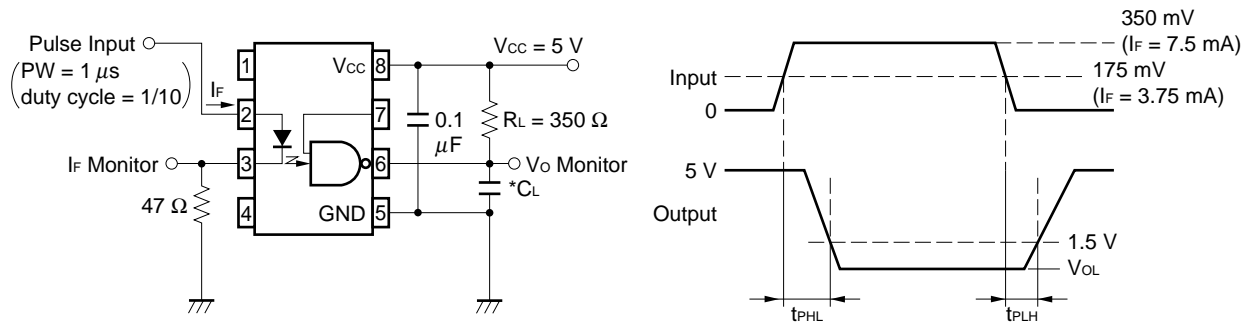
**ELECTRICAL CHARACTERISTICS (T<sub>A</sub> = -40 to +85 °C)**

	PARAMETER	SYMBOL	MIN.	TYP.	MAX.	UNIT	TEST CONDITIONS
	Diode	Forward Voltage	V <sub>F</sub>	1.4	1.65	1.9	V
Reverse Current		I <sub>R</sub>			10	μA	V <sub>R</sub> = 5 V, T <sub>A</sub> = 25 °C
Capacitance		C <sub>t</sub>		60		pF	V = 0, f = 1 MHz, T <sub>A</sub> = 25 °C
Detector	High Level Output Current	I <sub>OH</sub>		2	250	μA	V <sub>CC</sub> = V <sub>O</sub> = 5.5 V, I <sub>F</sub> = 250 μs, V <sub>E</sub> = 2 V
	Low Level Output Voltage	V <sub>OL</sub>		0.2	0.6	V	V <sub>CC</sub> = 5.5 V, I <sub>F</sub> = 5 mA, V <sub>E</sub> = 2 V, I <sub>O</sub> = 13 mA
	High Level Supply Current	I <sub>CCH</sub>	5	7	10	mA	V <sub>CC</sub> = 5.5 V, V <sub>E</sub> = 0.5 V, I <sub>F</sub> = 0
	Low Level Supply Current	I <sub>CCL</sub>	10	13	18	mA	V <sub>CC</sub> = 5.5 V, V <sub>E</sub> = 2 V, I <sub>F</sub> = 10 mA
	High Level Enable Current	I <sub>EH</sub>	-0.7	-1	-1.5	mA	V <sub>CC</sub> = 5.5 V, V <sub>EH</sub> = 2 V
	Low Level Enable Current	I <sub>EL</sub>	-1	-1.4	-2	mA	V <sub>CC</sub> = 5.5 V, V <sub>EL</sub> = 0.5 V

ELECTRICAL CHARACTERISTICS (T<sub>A</sub> = 25 °C)

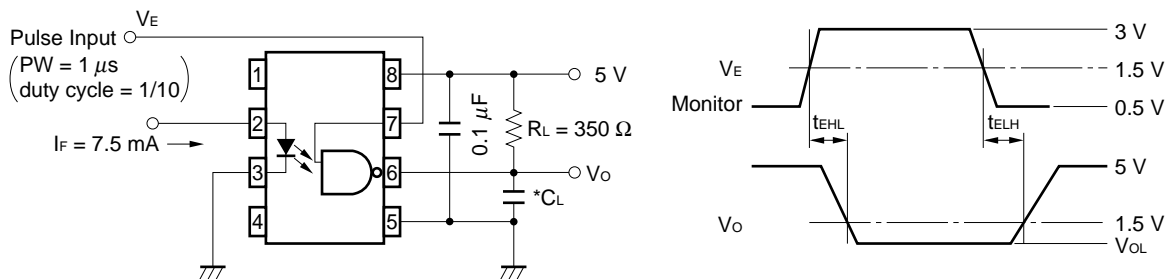
Coupled	PARAMETER	SYMBOL	MIN.	TYP.	MAX.	UNIT	TEST CONDITIONS
	Threshold Input Current High → Low	I <sub>FHL</sub>	0.5	2.5	5	mA	V <sub>CC</sub> = 5 V, V <sub>E</sub> = 2 V, T <sub>A</sub> = -40 to + 85 °C V <sub>O</sub> = 0.8 V, R <sub>L</sub> = 350 Ω
	Isolation Resistance	R <sub>1-2</sub>	10 <sup>11</sup>			Ω	V <sub>in-out</sub> = 1 kVDC, RH 40 to 60 %
	Isolation Capacitance	C <sub>1-2</sub>		0.6		pF	V = 0, f = 1 MHz
	Propagation Delay Time* <sup>2</sup> High → Low	t <sub>PHL</sub>		50	75	ns	V <sub>CC</sub> = 5 V, I <sub>F</sub> = 7.5 mA R <sub>L</sub> = 350 Ω, C <sub>L</sub> = 15 pF
	Propagation Delay Time* <sup>2</sup> Low → High	t <sub>PLH</sub>		50	75	ns	
	Rise Time	t <sub>r</sub>		20		ns	
	Fall Time	t <sub>f</sub>		10		ns	
	Enable Propagation Delay Time* <sup>3</sup> High → Low	t <sub>EH</sub> L		10		ns	V <sub>CC</sub> = 5 V, I <sub>F</sub> = 7.5 mA V <sub>EH</sub> = 3 V, V <sub>EL</sub> = 0.5 V R <sub>L</sub> = 350 Ω, C <sub>L</sub> = 15 pF
	Enable Propagation Delay Time* <sup>3</sup> Low → High	t <sub>EL</sub> H		25		ns	

\*2 Test Circuit for Propagation delay time

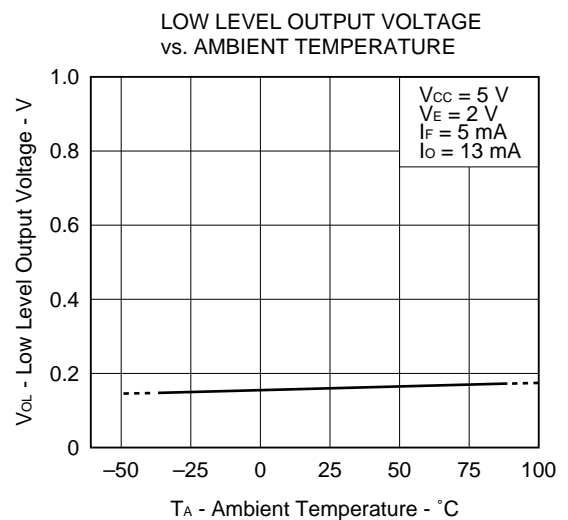
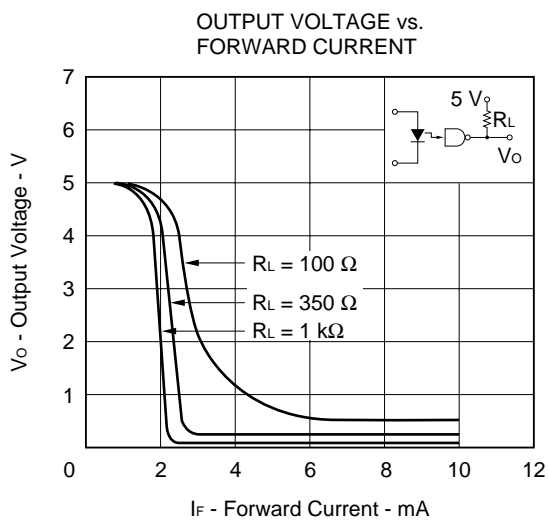
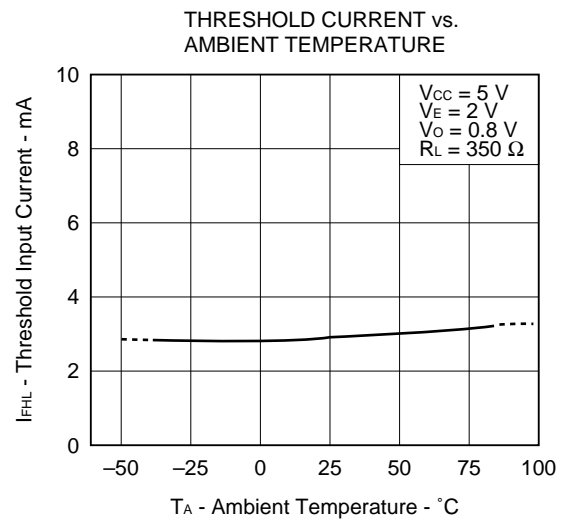
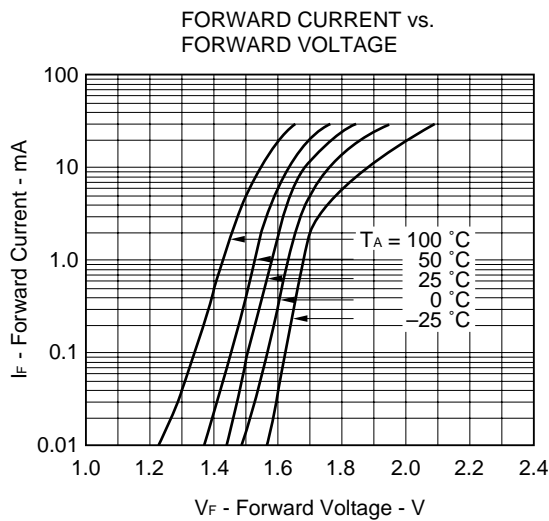
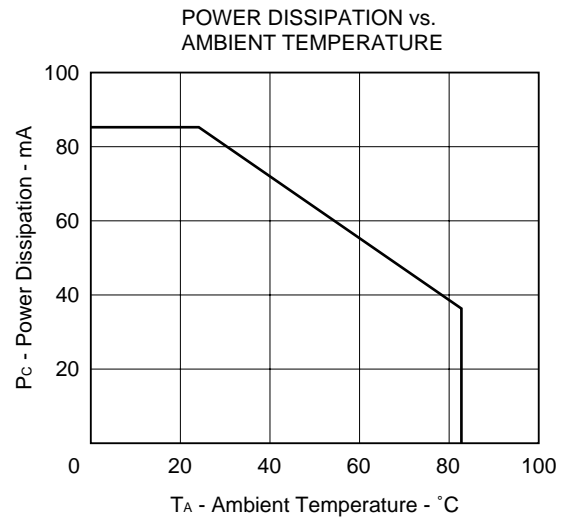
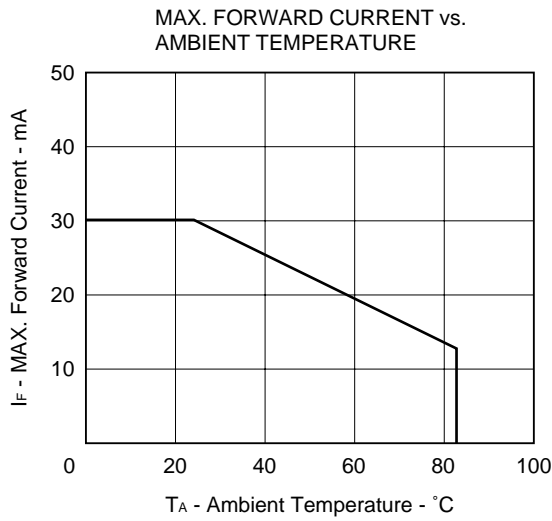


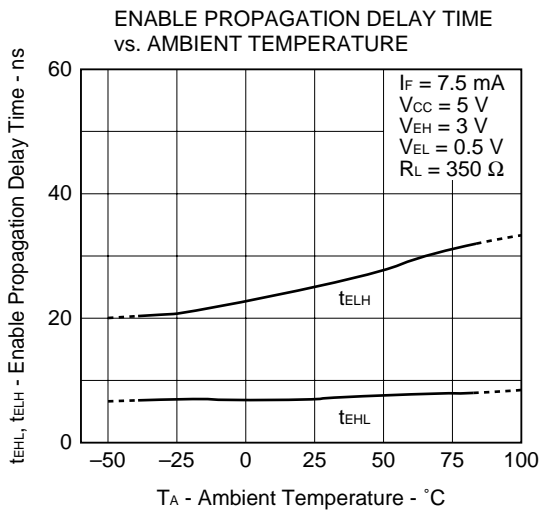
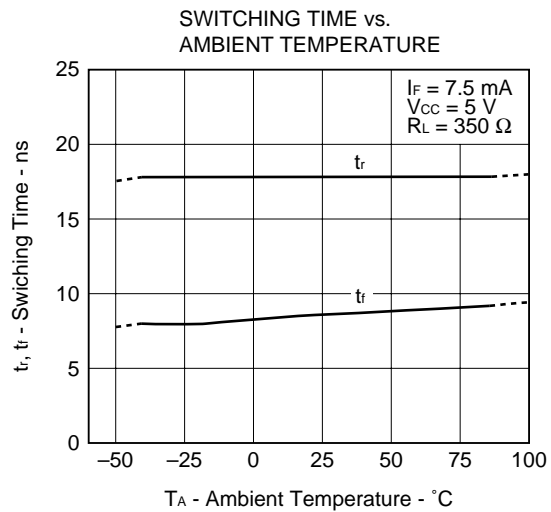
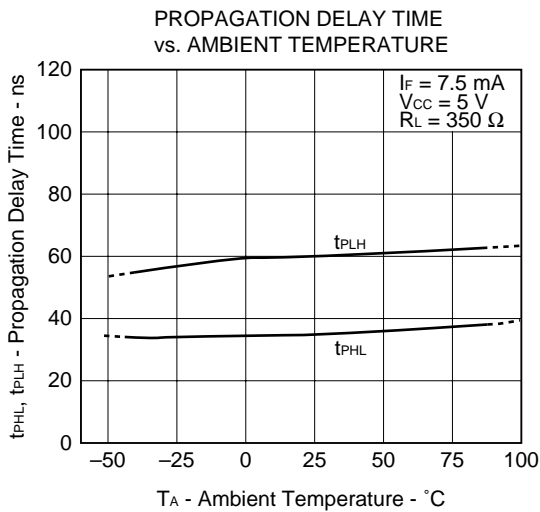
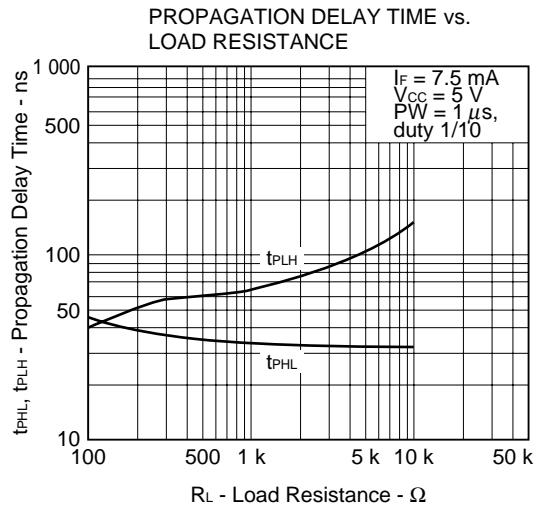
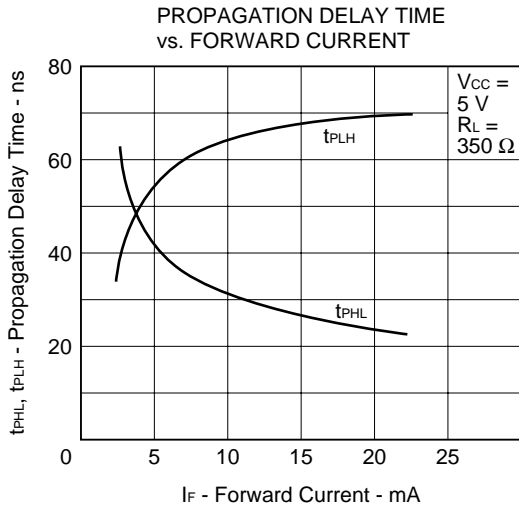
\* C<sub>L</sub> is approximately 15 pF, which includes probe and stray wiring capacitance.

\*3 Test Circuit for enable Propagation delay time



TYPICAL CHARACTERISTICS (T<sub>A</sub> = 25 °C)



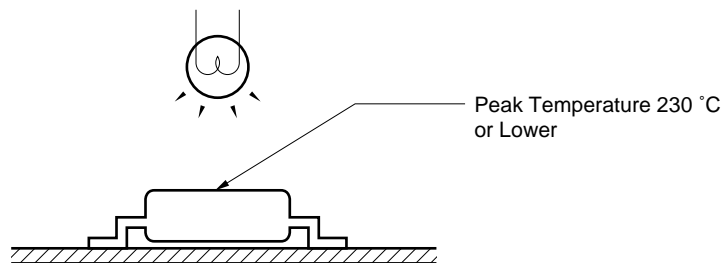
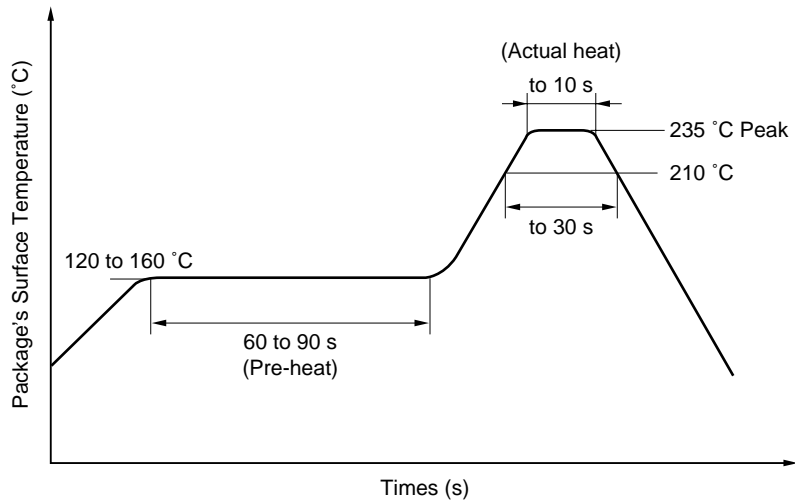


**PRECAUTIONS IN MOUNTING THE DEVICE**

(1) Precautions in mounting the device by infrared reflow soldering

- Peak reflow temperature : 235 °C or below (Plastic surface temperature)
- Reflow time : 30 seconds or less (Time period during which the plastic surface temperature is 210 °C)
- Number of reflow processes: One
- Flux : Rosin flux containing small amount of chlorine (The flux with a maximum chlorine content of 0.2 Wt% is recommended.)

**INFRARED RAY REFLOW TEMPERATURE PROFILE**



(2) Precautions in mounting the device in solder dip method

- Temperature : 260 °C or lower
- Time : 10 sec. or less
- Flux : Rosin group flux, where the amount of chloride component is small.

## Caution

**The Great Care must be taken in dealing with the devices in this guide.**

**The reason is that the material of the devices is GaAs (Gallium Arsenide), which is designated as harmful substance according to the law concerned.**

**Keep the law concerned and so on, especially in case of removal.**

No part of this document may be copied or reproduced in any form or by any means without the prior written consent of NEC Corporation. NEC Corporation assumes no responsibility for any errors which may appear in this document.

NEC Corporation does not assume any liability for infringement of patents, copyrights or other intellectual property rights of third parties by or arising from use of a device described herein or any other liability arising from use of such device. No license, either express, implied or otherwise, is granted under any patents, copyrights or other intellectual property rights of NEC Corporation or others.

While NEC Corporation has been making continuous effort to enhance the reliability of its semiconductor devices, the possibility of defects cannot be eliminated entirely. To minimize risks of damage or injury to persons or property arising from a defect in an NEC semiconductor device, customer must incorporate sufficient safety measures in its design, such as redundancy, fire-containment, and anti-failure features.

NEC devices are classified into the following three quality grades:

“Standard”, “Special”, and “Specific”. The Specific quality grade applies only to devices developed based on a customer designated “quality assurance program” for a specific application. The recommended applications of a device depend on its quality grade, as indicated below. Customers must check the quality grade of each device before using it in a particular application.

Standard: Computers, office equipment, communications equipment, test and measurement equipment, audio and visual equipment, home electronic appliances, machine tools, personal electronic equipment and industrial robots

Special: Transportation equipment (automobiles, trains, ships, etc.), traffic control systems, anti-disaster systems, anti-crime systems, safety equipment and medical equipment (not specifically designed for life support)

Specific: Aircrafts, aerospace equipment, submersible repeaters, nuclear reactor control systems, life support systems or medical equipment for life support, etc.

The quality grade of NEC devices in “Standard” unless otherwise specified in NEC's Data Sheets or Data Books. If customers intend to use NEC devices for applications other than those specified for Standard quality grade, they should contact NEC Sales Representative in advance.

Anti-radioactive design is not implemented in this product.