

## ADJUSTABLE DIVIDED VOLTAGE GENERATOR

### GENERAL DESCRIPTION

The NJM2366 is an adjustable divided voltage generator for medium and large size LCD panels which are required five bias voltage.

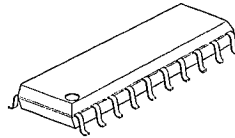
5 divided voltage are generated by internal bleeder resistor and are output through the buffer amplifier.

The minimum voltage ratio is selected from 1/13 to 1/19 of supply voltage.

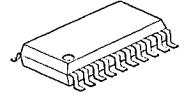
### FEATURES

- Operating Voltage (−10V ~ −36V)
- Low Operating Current (1.5mA max.)
- Output Current ( $\pm 10\text{mA}$  min.)
- 5 Divided Voltage From Supply Voltage
- Internal an OP-AMP
- Bipolar Technology
- Package Outline SOP20, SSOP20

### PACKAGE OUTLINE

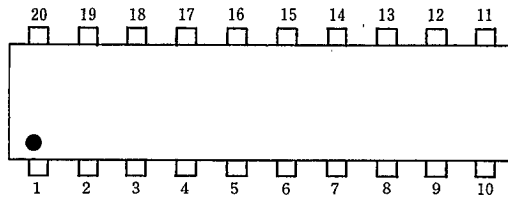


NJM2366G



NJM2366V

### PIN CONFIGURATION

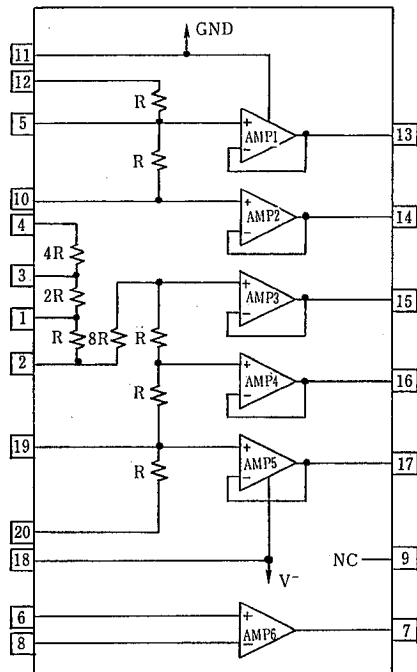


NJM2366G  
NJM2366V

### PIN FUNCTION

- |          |          |
|----------|----------|
| 1. RX3   | 11. GND  |
| 2. RX4   | 12. Vin  |
| 3. RX2   | 13. V1   |
| 4. RX1   | 14. V2   |
| 5. Vin1  | 15. V3   |
| 6. Vin+  | 16. V4   |
| 7. Vout  | 17. V5   |
| 8. Vin   | 18. V-   |
| 9. NC    | 19. Vin3 |
| 10. Vin2 | 20. Vref |

### BLOCK DIAGRAM



## ■ ABSOLUTE MAXIMUM RATINGS

(Ta=25°C)

PARAMETER	SYMBOL	RATINGS	UNIT
Supply Voltage	V <sup>-</sup>	-40	V
Vin Voltage	V <sub>in</sub>	-40	V
Output Current	I <sub>out</sub>	±15	mA
Power Dissipation(G/V type)	P <sub>D</sub>	300	mW
Operating Temperature	T <sub>opr</sub>	-40 ~ +85	°C
Storage Temperature Range(G/V type)	T <sub>stg</sub>	-50 ~ +125	°C

## ■ ELECTRICAL CHARACTERISTICS

(V<sup>-</sup>=-16V, Ta=25°C)

### Total Device

PARAMETER	SYMBOL	CONDITIONS	MIN.	TYP.	MAX.	UNIT
Operating Current	I <sub>cc</sub>	V <sup>-</sup> =V <sub>ref</sub> =-30V, 1/13Bias	-	-	1.5	mA
Resistance	R	IR=20 μA	15	20	25	KΩ
Internal Resistance Divided Ratio	Ra1	R/R	0.98	1.00	1.02	
	Ra2	2R/R	1.96	2.00	2.04	
	Ra3	4R/R	3.92	4.00	4.08	
	Ra4	8R/R	7.84	8.00	8.16	

### Buffers Block

PARAMETER	SYMBOL	CONDITIONS	MIN.	TYP.	MAX.	UNIT
Output Voltage Rating	RA1	V <sup>-</sup> =V <sub>ref</sub>   GND-V1   /   V1-V2   -10V > V <sup>-</sup> > -30V	0.98	1.00	1.02	
	RA2	V3-V4   /   V4-V5   -10V > V <sup>-</sup> > -30V	0.98	1.00	1.02	
Output Voltage Difference	DV	(A)+(B); V <sup>-</sup> =V <sub>ref</sub> (A)=   GND-V1   -   V1-V2   (B)=   V4-V5   -   V3-V4	-100	0	100	mV
Load Regulation	ΔV1	V <sup>-</sup> =V <sub>ref</sub> =-30V -10mA ≤ I <sub>out</sub> ≤ 10mA	-20	0	20	mV
	ΔV2		-20	0	20	
	ΔV3		-20	0	20	
	ΔV4		-20	0	20	
	ΔV5		-20	0	20	
	ΔVout		-20	0	20	

6

■ ELECTRICAL CHARACTERISTICS

( $V^- = -16V, T_a = 25^\circ C$ )

PARAMETER	SYMBOL	CONDITIONS	MIN.	TYP.	MAX.	UNIT
Output Current 1	$I_{SOURCE1}$	$V^- = V_{ref} = -30V$ $1/13Bias$	+10	—	—	mA
	$I_{SOURCE2}$		+10	—	—	
	$I_{SOURCE3}$		+10	—	—	
	$I_{SOURCE4}$		+10	—	—	
	$I_{SOURCE5}$		+10	—	—	
	$I_{SOURCE6}$		+10	—	—	
Output Current 2	$I_{SINK1}$	$V^- = V_{ref} = -30V$ $1/13Bias$	-10	—	—	mA
	$I_{SINK2}$		-10	—	—	
	$I_{SINK3}$		-10	—	—	
	$I_{SINK4}$		-10	—	—	
	$I_{SINK5}$		-10	—	—	
	$I_{SINK6}$		-10	—	—	

## MEMO

[CAUTION]

The specifications on this databook are only given for information, without any guarantee as regards either mistakes or omissions. The application circuits in this databook are described only to show representative usages of the product and not intended for the guarantee or permission of any right including the industrial rights.