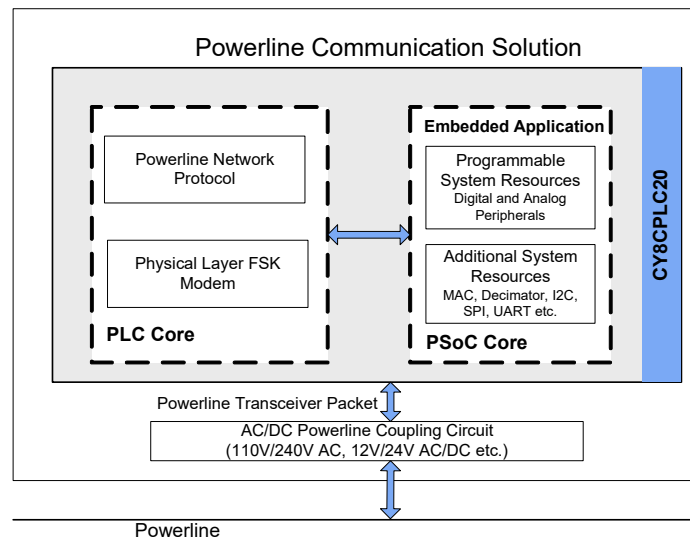


Powerline Communication Solution

Features

- Powerline communication solution
 - Integrated powerline modem PHY
 - Frequency shift keying modulation
 - Configurable baud rates up to 2400 bps
 - Powerline optimized network protocol
 - Integrates data link, transport, and network layers
 - Supports bidirectional half duplex communication
 - 8-bit CRC error detection to minimize data loss
 - I²C enabled powerline application layer
 - Supports I²C frequencies of 50, 100, and 400 kHz
 - Reference designs for 110 V/240 V AC and 12 V/24 V AC/DC Powerlines
 - Reference designs comply with CENELEC EN 50065-1:2001 and FCC Part 15
- Powerful Harvard-architecture Processor
 - M8C processor speeds to 24 MHz
 - Two 8x8 multiply, 32-bit accumulate
- Programmable system resources (PSoC® Blocks)
 - 12 Rail-to-Rail Analog PSoC Blocks provide:
 - Up to 14-bit ADCs
 - Up to 9-bit DACs
 - Programmable gain amplifiers
 - Programmable filters and comparators
 - 16 Digital PSoC Blocks provide:
 - 8 to 32-bit Timers, Counters, and PWMs
 - CRC and PRS Modules
- Up to four full duplex UARTs
- Multiple SPI™ masters or slaves
- Connectable to all GPIO Pins
- Complex peripherals by combining blocks
- Flexible on-chip memory
 - 32 KB flash program storage 50,000 erase or write cycles
 - 2 KB SRAM data storage
 - EEPROM emulation in flash
- Programmable pin configurations
 - 25 mA sink, 10 mA source on all GPIOs
 - Pull-up, Pull-down, high Z, strong, or open drain drive Modes on all GPIO
 - Up to 12 analog inputs on all GPIOs
 - Configurable interrupt on all GPIOs
- Additional system resources
 - I²C slave, master, and multi-master to 400 kHz
 - Watchdog and sleep timers
 - User-configurable low-voltage detection
 - Integrated supervisory circuit
 - On-chip precision voltage reference
- Complete development tools
 - Free development software (PSoC Designer™)
 - Full-featured in-circuit emulator (ICE) and programmer
 - Full-speed emulation
 - Complex breakpoint structure
 - 128 KB trace memory
 - Complex events
 - C Compilers, assembler, and linker

Logic Block Diagram



More Information

Cypress provides a wealth of data at www.cypress.com to help you to select the right PSoC device for your design, and to help you to quickly and effectively integrate the device into your design. For a comprehensive list of resources, see the knowledge base article “How to Design with PSoC® 1, PowerPSoC®, and PLC – KBA88292”. Following is an abbreviated list for PSoC 1:

- Overview: PSoC Portfolio, PSoC Roadmap
- Product Selectors: [PSoC 1](#), [PSoC 3](#), [PSoC 4](#), [PSoC 5LP](#)
- In addition, PSoC Designer includes a device selection tool.
- Application notes: Cypress offers a large number of PSoC application notes covering a broad range of topics, from basic to advanced level. Recommended application notes for getting started with PSoC 1 are:
 - [Getting Started with PSoC® 1 – AN75320](#)
 - [PSoC® 1 - Getting Started with GPIO – AN2094](#)
 - [PSoC® 1 Analog Structure and Configuration – AN74170](#)
 - [PSoC® 1 Switched Capacitor Analog Blocks – AN2041](#)
 - [Selecting Analog Ground and Reference – AN2219](#)

Note: For CY8CPLC20 devices related Application note please click [here](#).

- Development Kits:
 - [CY3210-PSocEval1](#) supports all PSoC 1 Mixed-Signal Array families, including automotive, except CY8C25/26xxx devices. The kit includes an LCD module, potentiometer, LEDs, and breadboarding space.
 - [CY3214-PSocEvalUSB](#) features a development board for the CY8C24x94 PSoC device. Special features of the board include USB and CapSense development and debugging support.

Note: For CY8CPLC20 devices related Development Kits please click [here](#).

The [MiniProg1](#) and [MiniProg3](#) devices provide interfaces for flash programming and debug.

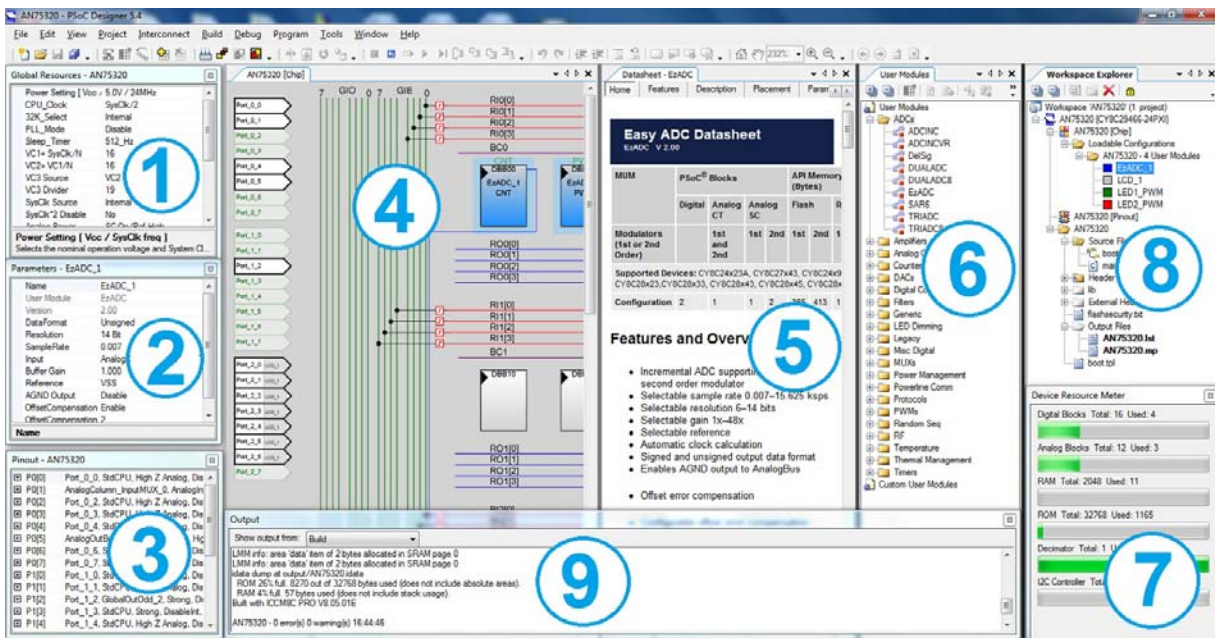
PSoC Designer

[PSoC Designer](#) is a free Windows-based Integrated Design Environment (IDE). Develop your applications using a library of pre-characterized analog and digital peripherals in a drag-and-drop design environment. Then, customize your design leveraging the dynamically generated API libraries of code. [Figure 1](#) shows PSoC Designer windows. **Note:** This is not the default view.

1. **Global Resources** – all device hardware settings.
2. **Parameters** – the parameters of the currently selected User Modules.
3. **Pinout** – information related to device pins.
4. **Chip-Level Editor** – a diagram of the resources available on the selected chip.
5. **Datasheet** – the datasheet for the currently selected UM
6. **User Modules** – all available User Modules for the selected device.
7. **Device Resource Meter** – device resource usage for the current project configuration.
8. **Workspace** – a tree level diagram of files associated with the project.
9. **Output** – output from project build and debug operations.

Note: For detailed information on PSoC Designer, go to PSoC® Designer > Help > Documentation > Designer Specific Documents > IDE User Guide.

Figure 1. PSoC Designer Layout



Contents

| | | | |
|---------------------------------------------------|-----------|------------------------------------------------------|-----------|
| PLC Functional Overview | 4 | Packaging Information | 41 |
| Robust Communication using Cypress’s PLC Solution | 4 | Packaging Dimensions..... | 41 |
| Powerline Modem PHY | 4 | Thermal Impedances..... | 44 |
| Network Protocol | 5 | Capacitance on Crystal Pins | 45 |
| PSoC Core | 9 | Solder Reflow Peak Temperature | 45 |
| Programmable System Resources..... | 9 | Development Tool Selection | 46 |
| Additional System Resources | 12 | Software | 46 |
| Development Tools | 12 | Development Kits | 46 |
| PSoC Designer Software Subsystems | 12 | Evaluation Kits..... | 47 |
| Designing with PSoC Designer | 13 | Device Programmers..... | 47 |
| Select User Modules | 13 | Ordering Information | 48 |
| Configure User Modules..... | 13 | Ordering Code Definitions | 48 |
| Organize and Connect | 13 | Acronyms | 49 |
| Generate, Verify, and Debug | 13 | Acronyms Used | 49 |
| PLC User Modules | 14 | Reference Documents | 50 |
| Pin Information | 15 | Document Conventions | 50 |
| 28-Pin Part Pinout | 15 | Units of Measure | 50 |
| 48-Pin Part Pinout | 16 | Numeric Conventions | 50 |
| 100-Pin Part Pinout (On-Chip Debug) | 17 | Glossary | 50 |
| Register Reference | 19 | Document History Page | 55 |
| Register Conventions | 19 | Sales, Solutions, and Legal Information | 58 |
| Register Mapping Tables | 19 | Worldwide Sales and Design Support | 58 |
| Electrical Specifications | 22 | Products | 58 |
| Absolute Maximum Ratings..... | 22 | PSoC® Solutions | 58 |
| Operating Temperature | 22 | Cypress Developer Community | 58 |
| DC Electrical Characteristics | 23 | Technical Support | 58 |
| AC Electrical Characteristics | 32 | | |

PLC Functional Overview

The CY8CPLC20 is an integrated powerline communication (PLC) chip with the powerline modem PHY and network protocol stack running on the same device. Apart from the PLC core, the CY8CPLC20 also offers Cypress's revolutionary PSoC technology that enables system designers to integrate multiple functions on the same chip.

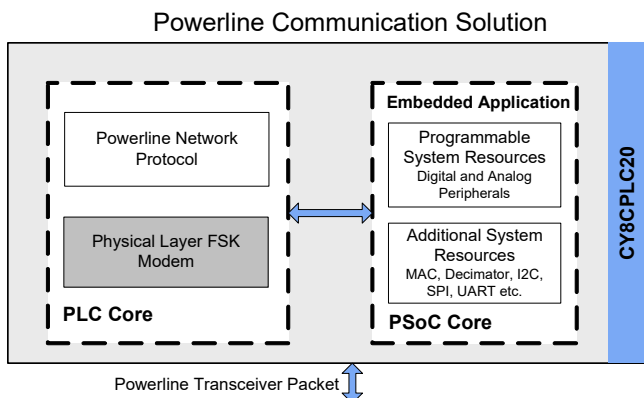
Robust Communication using Cypress's PLC Solution

Powerlines are available everywhere in the world and are a widely available communication medium for PLC technology. The pervasiveness of powerlines also makes it difficult to predict the characteristics and operation of PLC products. Because of the variable quality of powerlines around the world, implementing robust communication has been an engineering challenge for years. The Cypress PLC solution enables secure and reliable communications. Cypress PLC features that enable robust communication over powerlines include:

- Integrated Powerline PHY modem with optimized filters and amplifiers to work with lossy high voltage and low voltage powerlines.
- Powerline optimized network protocol that supports bidirectional communication with acknowledgement-based signaling. In case of data packet loss due to bursty noise on the powerline, the transmitter has the capability to retransmit data.
- The powerline network protocol also supports an 8-bit CRC for error detection and data packet retransmission.
- A Carrier sense multiple access (CSMA) scheme is built into the network protocol that minimizes collisions between packet transmissions on the powerline and supports multiple masters and reliable communication on a bigger network.

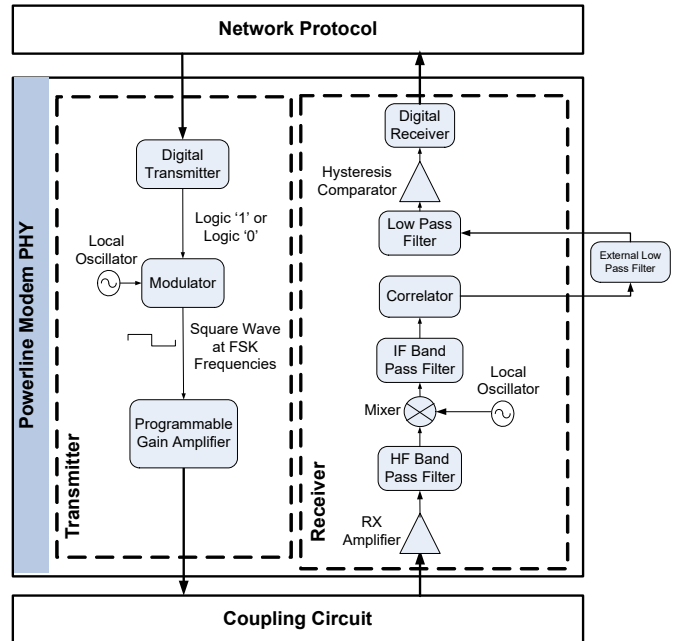
Powerline Modem PHY

Figure 2. Physical Layer FSK Modem



The physical layer of the Cypress PLC solution is implemented using an FSK modem that enables half duplex communication on any high voltage and low voltage powerline. This modem supports raw data rates up to 2400 bps. A block diagram is shown in Figure 3.

Figure 3. Physical Layer FSK Modem Block Diagram



Transmitter Section

Digital data from the network layer is serialized by the digital transmitter and fed as input to the modulator. The modulator divides the local oscillator frequency by a definite factor depending on whether the input data is high level logic '1' or low level logic '0'. It then generates a square wave at 133.3 kHz (logic '0') or 131.8 kHz (logic '1'), which is fed to the Programmable Gain Amplifier to generate FSK modulated signals. This enables tunable amplification of the signal depending on the noise in the channel. The logic '1' frequency can also be configured as 130.4 kHz for wider FSK deviation.

Receiver Section

The incoming FSK signal from the powerline is input to a high frequency (HF) band pass filter that filters out-of-band frequency components and outputs a filtered signal within the desired spectrum of 125 kHz to 140 kHz for further demodulation. The mixer block multiplies the filtered FSK signals with a locally generated signal to produce heterodyned frequencies.

The intermediate frequency (IF) band pass filters further remove out-of-band noise as required for further demodulation. This signal is fed to the correlator, which produces a DC component (consisting of logic '1' and '0') and a higher frequency component.

The output of the correlator is fed to a low pass filter (LPF) that outputs only the demodulated digital data at 2400 baud and suppresses all other higher frequency components generated in the correlation process. The output of the LPF is digitized by the

hysteresis comparator. This eliminates the effects of correlator delay and false logic triggers due to noise. The digital receiver deserializes this data and outputs to the network layer for interpretation.

Coupling Circuit Reference Design

The coupling circuit couples low voltage signals from the CY8CPLC20 to the powerline. The topology of this circuit is determined by the voltage on the powerline and design constraints mandated by powerline usage regulations.

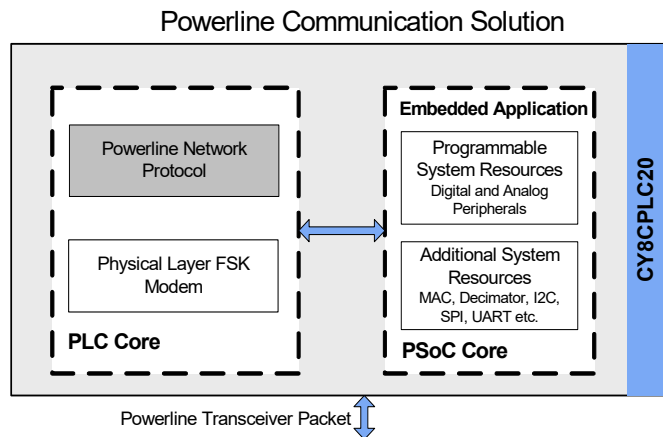
Cypress provides reference designs for a range of powerline voltages including 110 V/240 V AC and 12 V/24 V AC/DC. The CY8CPLC20 is capable of data communication over other AC/DC Powerlines as well with the appropriate external coupling circuit. The 110 V AC and 240 V AC designs are compliant to the following powerline usage regulations:

- FCC Part 15 for North America
- EN 50065-1:2001 for Europe

Network Protocol

Cypress's powerline optimized network protocol performs the functions of the data link and network layers in an ISO/OSI-equivalent model.

Figure 4. Powerline Network Protocol



The network protocol implemented on the CY8CPLC20 supports the following features:

- Bidirectional half-duplex communication
- Master-slave or peer-to-peer network topologies
- Multiple masters on powerline network
- 8-bit logical addressing supports up to 256 powerline nodes
- 16-bit extended logical addressing supports up to 65536 powerline nodes
- 64-bit physical addressing supports up to 2⁶⁴ powerline nodes
- Individual, broadcast or group mode addressing
- Carrier Sense Multiple Access (CSMA)
- Full control over transmission parameters

- Acknowledged
- Unacknowledged
- Repeated Transmit

CSMA and Timing Parameters

- CSMA – The protocol provides the random selection of a period between 85 and 115 ms (out of seven possible values in this range) in which the band-in-use (BIU) detector must indicate that the line is not in use, before attempting a transmission.
- BIU – A Band-In-Use detector, as defined under CENELEC EN 50065-1, is active whenever a signal that exceeds 86 dBmVrms anywhere in the range 131.5 kHz to 133.5 kHz is present for at least 4 ms. This threshold can be configured for different end-system applications not requiring CENELEC compliance. The modem tries to retransmit after every 85 to 115 ms when the band is in use. The transmitter times out after 1.1 seconds to 3 seconds (depending on the noise on the Powerline) and generates an interrupt to indicate that the transmitter was unable to acquire the powerline.

Powerline Transceiver Packet

The powerline network protocol defines a powerline transceiver (PLT) packet structure, which is used for data transfer between nodes across the powerline. Packet formation and data transmission across the powerline network are implemented internally in CY8CPLC20.

A PLT packet is divided into a variable length header (minimum 6 bytes to maximum 20 bytes, depending on address type), a variable length payload (minimum 0 bytes to maximum 31 bytes), and a packet CRC byte.

This packet (preceded by a one byte preamble “0xAB”) is then transmitted by the powerline modem PHY and the external coupling circuit across the powerline.

The format of the PLT packet is shown in [Table 1 on page 5](#).

Table 1. Powerline Transceiver (PLT) Packet Structure

| Byte Offset | Bit Offset | | | | | | | |
|-------------|---------------------------------------------------------------------------------|----------------|--------------|-----------------------------|------|----------|------|---|
| | 7 | 6 | 5 | 4 | 3 | 2 | 1 | 0 |
| 0x00 | SA Type | DA Type | Service Type | RSVD | RSVD | Response | RSVD | |
| 0x01 | Destination Address (8-Bit Logical, 16-Bit Extended Logical or 64-Bit Physical) | | | | | | | |
| 0x02 | Source Address (8-Bit Logical, 16-Bit Extended Logical or 64-Bit Physical) | | | | | | | |
| 0x03 | Command | | | | | | | |
| 0x04 | RSVD | Payload Length | | | | | | |
| 0x05 | Seq Num | | | Powerline Packet Header CRC | | | | |
| 0x06 | Payload (0 to 31 Bytes) | | | | | | | |
| | Powerline Transceiver Packet CRC | | | | | | | |

Packet Header

The packet header contains the first 6 bytes of the packet when 1-byte logical addressing is used. When 8-byte physical

addressing is used, the source and destination addresses each contain 8 bytes. In this case, the header can consist of a maximum of 20 bytes. Unused fields marked RSVD are for future expansion and are transmitted as bit 0. [Table 2](#) describes the PLT packet header fields in detail.

Table 2. Powerline Transceiver (PLT) Packet Header

| Field Name | No. of Bits | Tag | Description |
|--------------|-------------|--------------------------|-------------------------------------------------------------------------------------------------------------------|
| SA Type | 1 | Source Address Type | 0 – Logical Addressing 1 – Physical Addressing |
| DA Type | 2 | Destination Address Type | 00 – Logical Addressing 01 – Group Addressing 10 – Physical Addressing 11 – Invalid |
| Service Type | 1 | | 0 – Unacknowledged Messaging 1 – Acknowledged Messaging |
| Response | 1 | Response | 0 - Not an acknowledgement or response packet 1 - Acknowledgement or response packet |
| Seq Num | 4 | Sequence Number | 4-bit unique identifier for each packet between source and destination. |
| Header CRC | 4 | | 4-bit CRC value. This enables the receiver to suspend receiving the rest of the packet if its header is corrupted |

Payload

The packet payload has a length of 0 to 31 bytes. Payload content is user defined and can be read or written through I²C.

Packet CRC

The last byte of the packet is an 8-bit CRC value used to check packet data integrity. This CRC calculation includes the header and payload portions of the packet and is in addition to the powerline packet header CRC.

Sequence Numbering

The sequence number is increased for every new unique packet transmitted. If in acknowledged mode and an acknowledgment is not received for a given packet, that packet is re-transmitted (if TX_Retry > 0) with the same sequence number. If in unacknowledged mode, the packet is transmitted (TX_Retry + 1) times with the same sequence number.

If the receiver receives consecutive packets from the same source address with the same sequence number and packet CRC, it does not notify the host of the reception of the duplicate packet. If in acknowledged mode, it still sends an acknowledgment so that the transmitter knows that the packet was received.

Addressing

The CY8CPLC20 has three modes of addressing:

- Logical addressing: Every CY8CPLC20 node can have either a 8-bit logical address or a 16-bit logical address. The logical address of the PLC Node is set by the local application or by a remote node on the Powerline.

- Physical addressing: Every CY8CPLC20 has a unique 64-bit physical address.
- Group addressing: This is explained in the next section.

Group Membership

Group membership enables the user to multicast messages to select groups. The CY8CPLC20 supports two types of group addressing:

- Single Group Membership – The network protocol supports up to 256 different groups on the network in this mode. In this mode, each PLC node can only be part of a single group. For example, multiple PLC nodes can be part of Group 131.
- Multiple Group Membership – The network protocol supports eight different groups in this mode and each PLC node can be a part of multiple groups. For example, a single PLC node can be a part of Group 3, Group 4, and Group 7 at the same time.

Both these membership modes can also be used together for group membership. For example, a single PLC node can be a part of Group 131 and also multiple groups such as Group 3, Group 4, and Group 7.

The group membership ID for broadcasting messages to all nodes in the network is 0x00.

The service type is always set to Unacknowledgment Mode in Group Addressing Mode. This is to avoid acknowledgment flooding on the powerline during multicast.

Remote Commands

In addition to sending normal data over the Powerline, the CY8CPLC10 can also send (and request) control information to (and from) another node on the network. The type of remote command to transmit is set by the TX_CommandID register and when received, is stored in the RX_CommandID register.

When a control command (Command ID = 0x01-0x08 and 0x0C-0x0F) is received, the protocol automatically processes the packet (if Lock_Configuration is '0'), responds to the initiator, and notifies the host of the successful transmission and reception.

When the send data command (ID 0x09) or request for data command (ID 0x0A) is received, the protocol replies with an acknowledgment packet (if TX_Service_Type = '1'), and notify the host of the new received data. If the initiator doesn't receive the acknowledgment packet within 500ms, it notifies the host of the no acknowledgment received condition.

When a response command (ID 0x0B) is received by the initiator within 1.5s of sending the request for data command, the protocol notifies the host of the successful transmission and reception. If the response command is not received by the initiator within 1.5s, it notifies the host of the no response received condition.

The host is notified by updating the appropriate values in the INT_Status register (including Status_Value_Change).

The command IDs 0x30-0xff can be used for custom commands that would be processed by the external host (e.g. set an LED color, get a temperature/voltage reading).

The available remote commands are described in [Table 3](#) with the respective Command IDs.

Table 3. Remote Commands

| Cmd ID | Command Name | Description | Payload (TX Data) | Response (RX Data) |
|--------|------------------------|----------------------------------------------------------------------------------------------|-------------------------------------------------------------------------------------------------------------|--------------------------------------------------------------------------------------------------------------------------------------------------------------------------------------------------------------------------------------------------|
| 0x01 | SetRemote_TXEnable | Sets the TX Enable bit in the PLC Mode Register. Rest of the PLC Mode register is unaffected | 0 - Disable Remote TX 1 - Enable Remote TX | If Remote Lock Config = 0, Response = 00 (Success) If Remote Lock Config = 1, Response = 01 (Denied) |
| 0x03 | SetRemote_ExtendedAddr | Set the Addressing to Extended Addressing Mode | 0 - Disable Extended Addressing 1 - Enable Extended Addressing | If Remote Lock Config = 0, Response = 00 (Success) If Remote Lock Config = 1, Response = 01 (Denied) |
| 0x04 | SetRemote_LogicalAddr | Assigns the specified logical address to the remote PLC node | If Ext Address = 0, Payload = 8-bit Logical Address If Ext Address = 1, Payload = 16-bit Logical Address | If Remote Lock Config = 0, Response = 00 (Success) If Remote Lock Config = 1, Response = 01 (Denied) |
| 0x05 | GetRemote_LogicalAddr | Get the Logical Address of the remote PLC node | None | If Remote TX Enable = 0, Response = None If Remote TX Enable = 1, {If Ext Address = 0, Response = 8-bit Logical Address If Ext Address = 1, Response = 16-bit Logical Address} |
| 0x06 | GetRemote_PhysicalAddr | Get the Physical Address of the remote PLC node | None | If Remote TX Enable = 0, Response = None If Remote TX Enable = 1, Response = 64-bit Physical Address |
| 0x07 | GetRemote_State | Request PLC_Mode Register content from a Remote PLC node | None | If Remote TX Enable = 0, Response = None If Remote TX Enable = 1, Response = Remote PLC Mode register |
| 0x08 | GetRemote_Version | Get the Version Number of the Remote Node | None | If TX Enable = 0, Response = None If TX Enable = 1, Response = Remote Version register |
| 0x09 | SendRemote_Data | Transmit data to a Remote Node. | Payload = Local TX Data | If Local Service Type = 0, Response = None If Local Service Type = 1, Response = Ack |
| 0x0A | RequestRemote_Data | Request data from a Remote Node | Payload = Local TX Data | If Local Service Type = 1, Response = Ack Then, the remote node host must send a ResponseRemote_Data command. The response must be completely transmitted within 1.5s of receiving the request. Otherwise, the requesting node will time out. |
| 0x0B | ResponseRemote_Data | Transmit response data to a Remote Node. | Payload = Local TX Data | None |
| 0x0C | SetRemote_BIU | Enables/Disables BIU functionality at the remote node | 0 - Enable Remote BIU 1 - Disable Remote BIU | If Remote Lock Config = 0, Response = 00 (Success) If Remote Lock Config = 1, Response = 01 (Denied) |

Table 3. Remote Commands *(continued)*

| Cmd ID | Command Name | Description | Payload (TX Data) | Response (RX Data) |
|---------------|---------------------------|----------------------------------------------|---------------------------------------------------------------------------------------------------|--------------------------------------------------------------------------------------------------------------------------------------------------------------------------------------|
| 0x0D | SetRemote_ThresholdValue | Sets the Threshold Value at the Remote node | 3-bit Remote Threshold Value | If Remote Lock Config = 0, Response = 00 (Success) If Remote Lock Config = 1, Response = 01 (Denied) |
| 0x0E | SetRemote_GroupMembership | Sets the Group Membership of the Remote node | Byte0 - Remote Single Group Membership Address Byte1- Remote Multiple Group Membership Address | If Remote Lock Config = 0, Response = 00 (Success) If Remote Lock Config = 1, Response = 01 (Denied) |
| 0x0F | GetRemote_GroupMembership | Gets the Group Membership of the Remote node | None | If Remote TX Enable = 0, Response = None If Remote TX Enable = 1, Response = Byte0 - Remote Single Group Membership Address Byte1- Remote Multiple Group Membership Address |
| 0x10– 0x2F | Reserved | | | |
| 0x30– 0xFF | User Defined Command Set | | | |

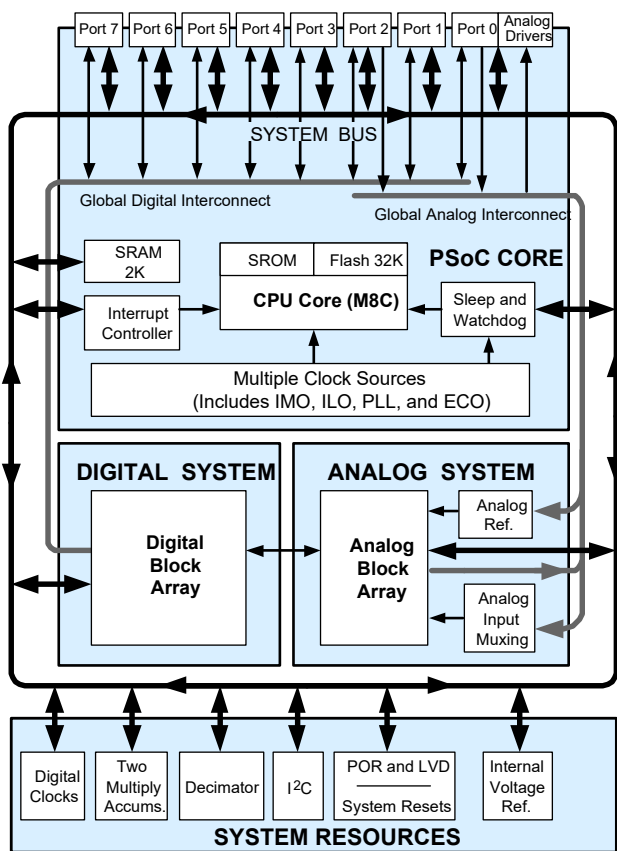
PSoC Core

The CY8CPLC20 is based on the Cypress PSoC[®] 1 architecture. The PSoC platform consists of many *Programmable System-on-chip Controller* devices. These devices are designed to replace multiple traditional MCU-based system components with one, low-cost single-chip programmable device. PSoC devices include configurable blocks of analog and digital logic, and programmable interconnects. This architecture enables the user to create customized peripheral configurations that match the requirements of each individual application. Additionally, a fast CPU, flash program memory, SRAM data memory, and configurable I/Os are included in a range of convenient pinouts and packages.

The PSoC architecture, as shown in Figure 5, consists of four main areas: PSoC Core, digital system, analog system, and system resources. Configurable global busing enables all the device resources to be combined into a complete custom system. The CY8CPLC20 family can have up to five I/O ports that connect to the global digital and analog interconnects, providing access to 16 digital blocks and 12 analog blocks.

The PSoC core is a powerful engine that supports a rich feature set. The core includes a CPU, memory, clocks, and configurable GPIO (General Purpose I/O).

Figure 5. PSoC Core



The M8C CPU core is a powerful processor with speeds up to 24 MHz, providing a 4 MIPS 8-bit Harvard architecture microprocessor. The CPU uses an interrupt controller with 25 vectors, to simplify programming of realtime embedded events. Program execution is timed and protected using the included Sleep and Watchdog timers (WDT).

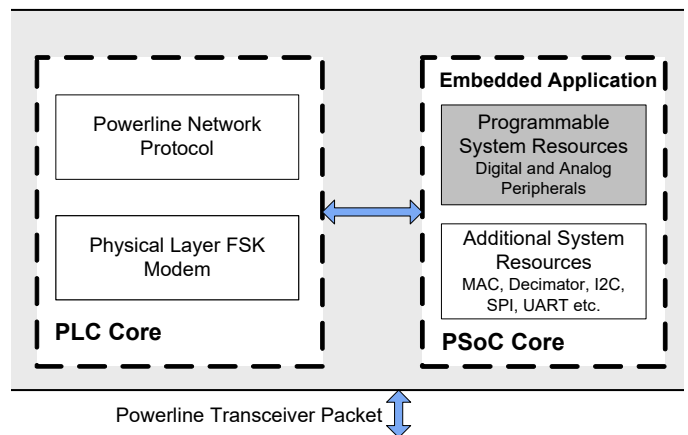
Memory encompasses 32 KB of Flash for program storage, 2 KB of SRAM for data storage, and up to 2 KB of EEPROM emulated using Flash. Program Flash uses four protection levels on blocks of 64 bytes, enabling customized software IP protection.

The PSoC device incorporates flexible internal clock generators, including a 24 MHz internal main oscillator (IMO) accurate to 2.5 percent over temperature and voltage. The 24 MHz IMO can also be doubled to 48 MHz for the digital system use. A low power 32 kHz internal low speed oscillator (ILO) is provided for the sleep timer and WDT. If crystal accuracy is desired, the ECO (32.768 kHz external crystal oscillator) is available for use as a real time clock (RTC) and can optionally generate a crystal-accurate 24 MHz system clock using a PLL. When operating the powerline transceiver (PLT) user module, the ECO must be selected to ensure accurate protocol timing. The clocks, together with programmable clock dividers (as a System Resource), provide the flexibility to integrate almost any timing requirement into the PSoC device.

PSoC GPIOs provide connection to the CPU, digital, and analog resources of the device. Each pin's drive mode may be selected from eight options, enabling great flexibility in external interfacing. Every pin also has the capability to generate a system interrupt on high level, low level, and change from last read.

Programmable System Resources

Figure 6. Programmable System Resources



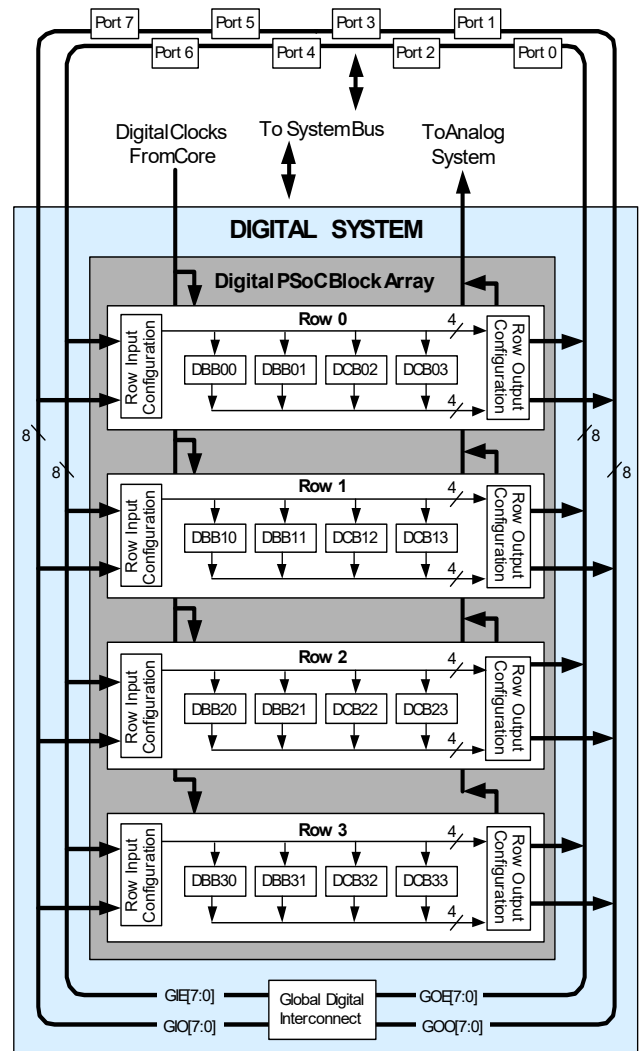
The Digital System

The digital system contains 16 digital PSoC blocks. Each block is an 8-bit resource that can be used alone, or combined with other blocks to form 8-, 16-, 24-, and 32-bit peripherals called user modules. Digital peripheral configurations include:

- PWMs (8- to 32-bit)
- PWMs with dead band (8- to 32-bit)
- Counters (8- to 32-bit)
- Timers (8- to 32-bit)
- UART 8 bit with selectable parity (up to four)
- SPI master and slave (up to four each)
- I²C slave and multi-master (one available as a System Resource)
- Cyclical Redundancy Checker and Generator (8- to 32-bit)
- IrDA (up to four)
- Pseudo Random Sequence Generators (8- to 32-bit)

The digital blocks can be connected to any GPIO through a series of global buses that can route any signal to any pin. The buses also enable signal multiplexing and perform logic operations. This configurability frees your designs from the constraints of a fixed peripheral controller.

Figure 7. Digital System Block Diagram



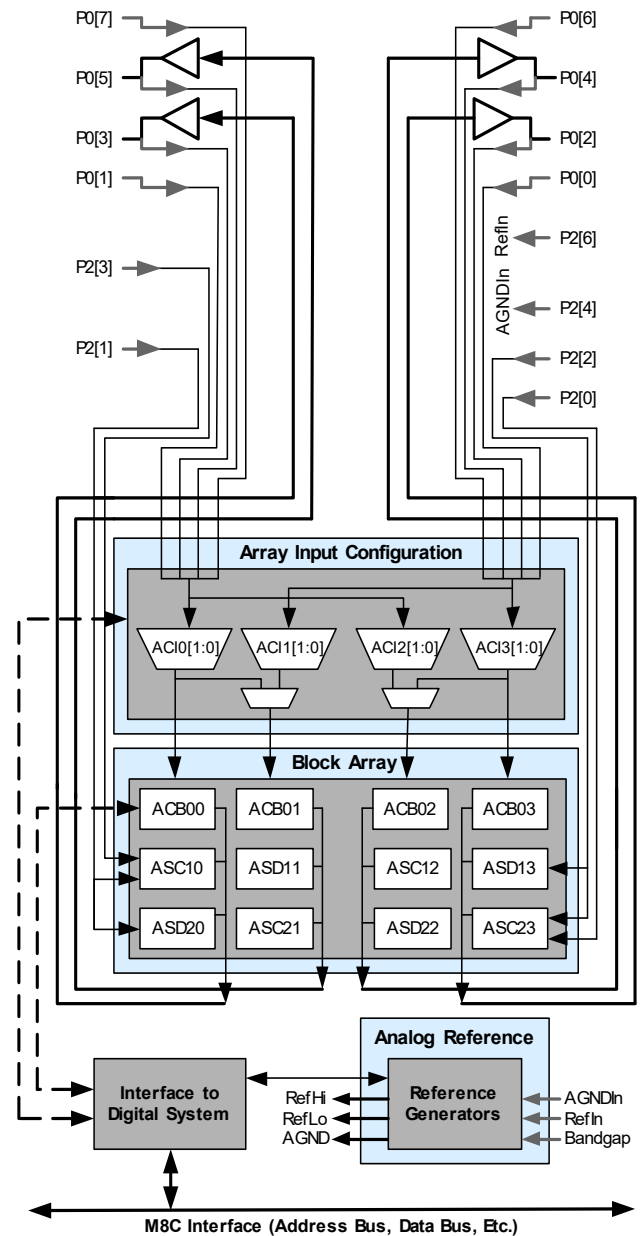
The Analog System

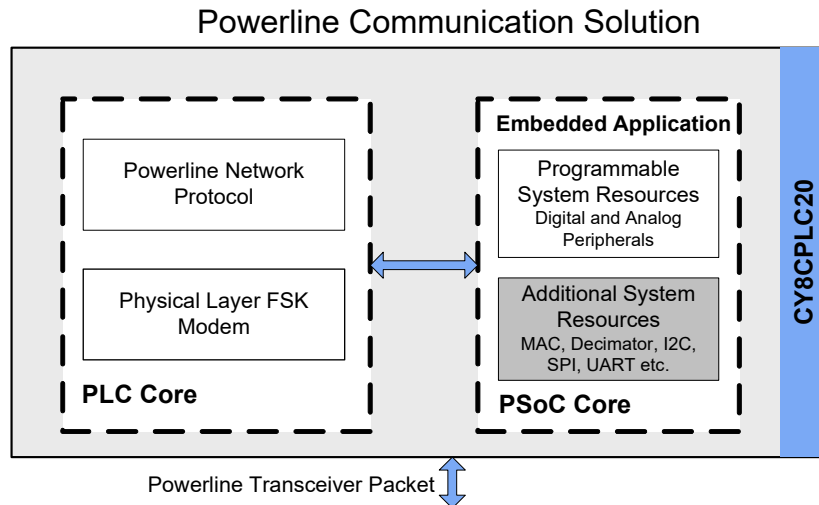
The analog system contains 12 configurable blocks, each containing an opamp circuit, enabling the creation of complex analog signal flows. Analog peripherals are very flexible and can be customized to support specific application requirements. Some of the more common PSoC analog functions (most available as user modules) are:

- Analog-to-digital converters (up to four, with 6- to 14-bit resolution, selectable as Incremental, Delta Sigma, and SAR)
- Filters (2, 4, 6, or 8 pole band pass, low pass, and notch)
- Amplifiers (up to four, with selectable gain to 48x)
- Instrumentation amplifiers (up to two, with selectable gain to 93x)
- Comparators (up to four, with 16 selectable thresholds)
- DACs (up to four, with 6- to 9-bit resolution)
- Multiplying DACs (up to four, with 6- to 9-bit resolution)
- High current output drivers (4 with 40 mA drive as a Core Resource)
- 1.3 V reference (as a System Resource)
- DTMF Dialer
- Modulators
- Correlators
- Peak detectors
- Many other topologies possible

Analog blocks are provided in columns of three, which includes one continuous time (CT) and two switched capacitor (SC) blocks, as shown in the [Figure 8](#).

Figure 8. Analog System Block Diagram



Additional System Resources
Figure 9. CY8CPLC20: Additional System Resources


System resources, some of which have been previously listed, provide additional capability useful to complete systems. Resources include a multiplier, decimator, low-voltage detection, and power on reset. The following statements describe the merits of each system resource.

- Digital clock dividers provide three customizable clock frequencies for use in applications. The clocks can be routed to both the digital and analog systems. Additional clocks are generated using digital PSoC blocks as clock dividers.
- Multiply accumulate (MAC) provides a fast 8-bit multiplier with 32-bit accumulate, to assist in general math and digital filters.
- The decimator provides a custom hardware filter for digital signal processing applications including the creation of Delta Sigma ADCs.
- The I²C module provides 100 and 400 kHz communication over two wires. Slave, master, and multi-master modes are supported.
- Low-voltage detection (LVD) interrupts signal the application of falling voltage levels, while the advanced Power On Reset (POR) circuit eliminates the need for a system supervisor.
- An internal 1.3 V reference provides an absolute reference for the analog system, including ADCs and DACs.

Development Tools

PSoC Designer™ is the revolutionary integrated design environment (IDE) that you can use to customize PSoC to meet your specific application requirements. PSoC Designer software accelerates system design and time to market. Develop your applications using a library of precharacterized analog and digital peripherals (called user modules) in a drag-and-drop design environment. Then, customize your design by leveraging the dynamically generated application programming interface (API) libraries of code. Finally, debug and test your designs with the integrated debug environment, including in-circuit emulation and standard software debug features. PSoC Designer includes:

- Application editor graphical user interface (GUI) for device and user module configuration and dynamic reconfiguration
- Extensive user module catalog
- Integrated source-code editor (C and assembly)
- Free C compiler with no size restrictions or time limits
- Built-in debugger
- In-circuit emulation
- Built-in support for communication interfaces:
 - Hardware and software I²C slaves and masters
 - Full-speed USB 2.0
 - Up to four full-duplex universal asynchronous receiver/transmitters (UARTs), SPI master and slave, and wireless

PSoC Designer supports the entire library of PSoC 1 devices and runs on Windows XP, Windows Vista, and Windows 7.

PSoC Designer Software Subsystems
Design Entry

In the chip-level view, choose a base device to work with. Then select different onboard analog and digital components that use the PSoC blocks, which are called user modules. Examples of user modules are analog-to-digital converters (ADCs), digital-to-analog converters (DACs), amplifiers, and filters. Configure the user modules for your chosen application and connect them to each other and to the proper pins. Then generate your project. This prepopulates your project with APIs and libraries that you can use to program your application.

The tool also supports easy development of multiple configurations and dynamic reconfiguration. Dynamic reconfiguration makes it possible to change configurations at run time. In essence, this lets you to use more than 100 percent of PSoC's resources for an application.

Code Generation Tools

The code generation tools work seamlessly within the PSoC Designer interface and have been tested with a full range of debugging tools. You can develop your design in C, assembly, or a combination of the two.

Assemblers. The assemblers allow you to merge assembly code seamlessly with C code. Link libraries automatically use absolute addressing or are compiled in relative mode, and linked with other software modules to get absolute addressing.

C Language Compilers. C language compilers are available that support the PSoC family of devices. The products allow you to create complete C programs for the PSoC family devices. The optimizing C compilers provide all of the features of C, tailored to the PSoC architecture. They come complete with embedded libraries providing port and bus operations, standard keypad and display support, and extended math functionality.

Debugger

PSoC Designer has a debug environment that provides hardware in-circuit emulation, allowing you to test the program in a physical system while providing an internal view of the PSoC device. Debugger commands allow you to read and program and read and write data memory, and read and write I/O registers. You can read and write CPU registers, set and clear breakpoints, and provide program run, halt, and step control. The debugger also lets you to create a trace buffer of registers and memory locations of interest.

Online Help System

The online help system displays online, context-sensitive help. Designed for procedural and quick reference, each functional subsystem has its own context-sensitive help. This system also provides tutorials and links to FAQs and an Online Support Forum to aid the designer.

In-Circuit Emulator

A low-cost, high-functionality in-circuit emulator (ICE) is available for development support. This hardware can program single devices.

The emulator consists of a base unit that connects to the PC using a USB port. The base unit is universal and operates with all PSoC devices. Emulation pods for each device family are available separately. The emulation pod takes the place of the PSoC device in the target board and performs full-speed (24 MHz) operation.

Designing with PSoC Designer

The development process for the PSoC device differs from that of a traditional fixed-function microprocessor. The configurable analog and digital hardware blocks give the PSoC architecture a unique flexibility that pays dividends in managing specification change during development and lowering inventory costs. These configurable resources, called PSoC blocks, have the ability to implement a wide variety of user-selectable functions. The PSoC development process is:

1. Select [user modules](#).
2. Configure user modules.

3. Organize and connect.
4. Generate, verify, and debug.

Select User Modules

PSoC Designer provides a library of prebuilt, pretested hardware peripheral components called “user modules.” User modules make selecting and implementing peripheral devices, both analog and digital, simple.

Configure User Modules

Each user module that you select establishes the basic register settings that implement the selected function. They also provide parameters and properties that allow you to tailor their precise configuration to your particular application. For example, a PWM User Module configures one or more digital PSoC blocks, one for each eight bits of resolution. Using these parameters, you can establish the pulse width and duty cycle. Configure the parameters and properties to correspond to your chosen application. Enter values directly or by selecting values from drop-down menus. All of the user modules are documented in datasheets that may be viewed directly in PSoC Designer or on the Cypress website. These [user module datasheets](#) explain the internal operation of the user module and provide performance specifications. Each datasheet describes the use of each user module parameter, and other information that you may need to successfully implement your design.

Organize and Connect

Build signal chains at the chip level by interconnecting user modules to each other and the I/O pins. Perform the selection, configuration, and routing so that you have complete control over all on-chip resources.

Generate, Verify, and Debug

When you are ready to test the hardware configuration or move on to developing code for the project, perform the “Generate Configuration Files” step. This causes PSoC Designer to generate source code that automatically configures the device to your specification and provides the software for the system. The generated code provides APIs with high-level functions to control and respond to hardware events at run time, and interrupt service routines that you can adapt as needed.

A complete code development environment lets you to develop and customize your applications in C, assembly language, or both.

The last step in the development process takes place inside PSoC Designer’s Debugger (accessed by clicking the Connect icon). PSoC Designer downloads the HEX image to the ICE where it runs at full-speed. PSoC Designer debugging capabilities rival those of systems costing many times more. In addition to traditional single-step, run-to-breakpoint, and watch-variable features, the debug interface provides a large trace buffer. It lets you to define complex breakpoint events that include monitoring address and data bus values, memory locations, and external signals.

PLC User Modules

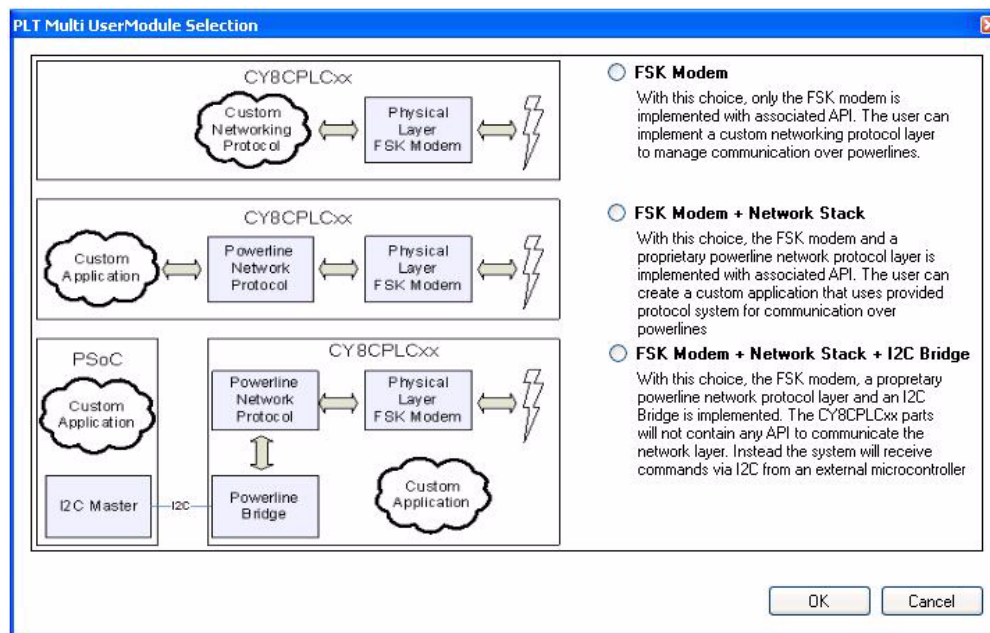
Powerline transceiver (PLT) user module (UM) enables data communication over powerlines up to baud rates of 2400 bps. This UM also exposes all the APIs from the network protocol for ease of application development. The UM, when instantiated, provides the user with three implementation modes:

- **FSK Modem Only** – This mode enables the user to use the raw FSK modem and build any network protocol or application with the help of the APIs generated by the modem PHY.
- **FSK Modem + Network Stack** – This mode enables the user to use the Cypress network protocol for PLC and build any application with the APIs provided by the network protocol.

- **FSK Modem + Network Stack + I2C** – This mode enables the user to interface the CY8CPLC20 with any other microcontroller or PSoC device. Users can also split the application between the PLC device and the external microcontroller. If the external microcontroller is a PSoC device, then the I2C UMs can be used to interface it with the PLC device.

Figure 10 on page 14 shows the starting window for the PLT UM with the three implementation modes from which the user can choose.

Figure 10. PLT User Module



The power consumption estimate of the CY8CPLC20 chip with the PLT User Module loaded along with the other User Modules can be determined using the application note [AN54416](http://www.cypress.com) titled "Using CY8CPLC20 in Powerline Communication (PLC) Applications" at <http://www.cypress.com>.

Pin Information

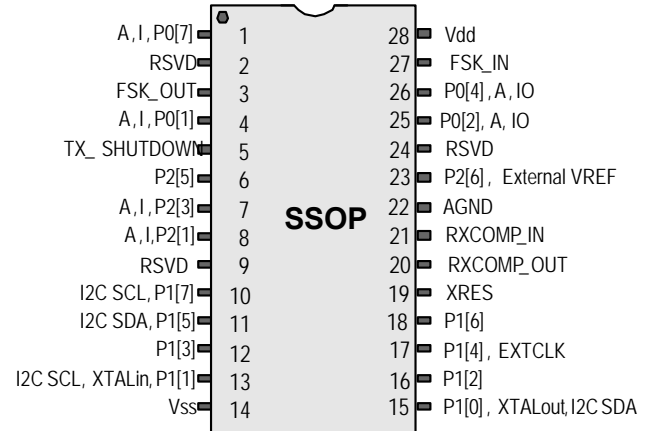
The CY8CPLC20 PLC device is available in a variety of packages which are listed and illustrated in the following tables. Every port pin (labeled with a "P") is capable of Digital I/O. However, V_{SS}, V_{DD} and XRES are not capable of Digital I/O.

28-Pin Part Pinout

Table 4. 28-Pin Part Pinout (SSOP)

| Pin No. | Type | | Pin Name | Description |
|---------|---------------|--------|-----------------|----------------------------------------------------------------------------------------------------------------------------------------------------------|
| | Digital | Analog | | |
| 1 | I/O | I | P0[7] | Analog column mux input |
| 2 | Reserved | | RSVD | Reserved |
| 3 | | O | FSK_OUT | Analog FSK Output |
| 4 | I/O | I | P0[1] | Analog column mux input |
| 5 | O | | TX_SHUTDOWN | Output to disable PLC transmit circuitry in receive mode Logic '0' - When the Modem is transmitting Logic '1' - When the Modem is not transmitting |
| 6 | I/O | | P2[5] | |
| 7 | I/O | I | P2[3] | Direct switched capacitor block Input |
| 8 | I/O | I | P2[1] | Direct switched capacitor block Input |
| 9 | Reserved | | RSVD | Reserved |
| 10 | I/O | | P1[7] | I ² C Serial clock (SCL) |
| 11 | I/O | | P1[5] | I ² C Serial data (SDA) |
| 12 | I/O | | P1[3] | XTAL_STABILITY. Connect a 0.1 μF capacitor between the pin and V _{SS} . |
| 13 | I/O | | P1[1] | Crystal (XTALin ^[2]), ISSP-SCLK ^[1] , I ² C SCL |
| 14 | Power | | V _{SS} | Ground Connection |
| 15 | I/O | | P1[0] | Crystal (XTALout ^[2]), ISSP-SDATA ^[1] , I ² C SDA |
| 16 | I/O | | P1[2] | |
| 17 | I/O | | P1[4] | Optional External Clock Input (EXTCLK ^[2]) |
| 18 | I/O | | P1[6] | |
| 19 | Input | | XRES | Active high external reset with internal pull-down |
| 20 | | O | RXCOMP_OUT | Analog Output To External Low Pass Filter Circuitry |
| 21 | | I | RXCOMP_IN | Analog Input From The External Low Pass Filter Circuitry |
| 22 | Analog Ground | | AGND | Analog Ground. Connect a 1.0 μF capacitor between the pin and V _{SS} . |
| 23 | I/O | | P2[6] | External Voltage Reference (VREF) |
| 24 | Reserved | | RSVD | Reserved |
| 25 | I/O | I/O | P0[2] | Analog column mux input and column output |
| 26 | I/O | I/O | P0[4] | Analog column mux input and column output |
| 27 | | I | FSK_IN | Analog FSK Input |
| 28 | Power | | V _{DD} | Supply Voltage |

Figure 11. CY8CPLC20 28-Pin PLC Device



LEGEND: A = Analog, I = Input, O = Output., RSVD = Reserved (Should be left unconnected)

Notes

- These are the ISSP pins, which are not High Z at POR (Power On Reset). See the *PSoc Technical Reference Manual* for details.
- When using the PLT user module, the external crystal is always required for protocol timing. For the FSK modem, either enable the PLL Mode or select the external 24 MHz on P1[4]. Do not use the IMO.

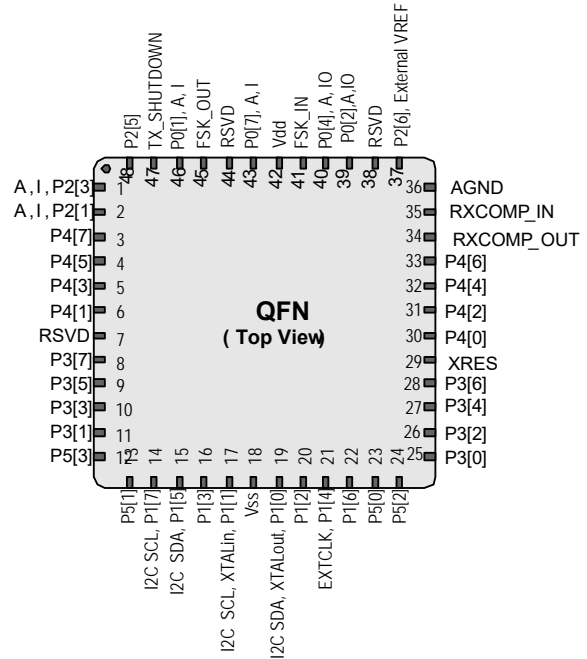
48-Pin Part Pinout

Table 5. 48-Pin Part Pinout (QFN)^[3]

| Pin No. | Type | | Pin Name | Description |
|---------|---------------|--------|-----------------|------------------------------------------------------------------------------------------------------------------------------------------------------|
| | Digital | Analog | | |
| 1 | I/O | I | P2[3] | Direct switched capacitor block input |
| 2 | I/O | I | P2[1] | Direct switched capacitor block input |
| 3 | I/O | | P4[7] | |
| 4 | I/O | | P4[5] | |
| 5 | I/O | | P4[3] | |
| 6 | I/O | | P4[1] | |
| 7 | Reserved | | RSVD | Reserved |
| 8 | I/O | | P3[7] | |
| 9 | I/O | | P3[5] | |
| 10 | I/O | | P3[3] | |
| 11 | I/O | | P3[1] | |
| 12 | I/O | | P5[3] | |
| 13 | I/O | | P5[1] | |
| 14 | I/O | | P1[7] | I ² C Serial clock (SCL) |
| 15 | I/O | | P1[5] | I ² C Serial data (SDA) |
| 16 | I/O | | P1[3] | XTAL_STABILITY. Connect a 0.1 μF capacitor between the pin and Vss. |
| 17 | I/O | | P1[1] | Crystal (XTALin ^[2]), I ² C Serial Clock (SCL), ISSP-SCLK ^[1] |
| 18 | Power | | Vss | Ground Connection |
| 19 | I/O | | P1[0] | Crystal (XTALout ^[2]), I ² C Serial Data (SDA), ISSP-SDATA ^[1] |
| 20 | I/O | | P1[2] | |
| 21 | I/O | | P1[4] | Optional External clock input (EXTCLK ^[2]) |
| 22 | I/O | | P1[6] | |
| 23 | I/O | | P5[0] | |
| 24 | I/O | | P5[2] | |
| 25 | I/O | | P3[0] | |
| 26 | I/O | | P3[2] | |
| 27 | I/O | | P3[4] | |
| 28 | I/O | | P3[6] | |
| 29 | Input | | XRES | Active high external reset with internal pull-down |
| 30 | I/O | | P4[0] | |
| 31 | I/O | | P4[2] | |
| 32 | I/O | | P4[4] | |
| 33 | I/O | | P4[6] | |
| 34 | | O | RXCOMP_OUT | Analog output to external Low Pass Filter Circuitry |
| 35 | | I | RXCOMP_IN | Analog input from external Low Pass Filter Circuitry |
| 36 | Analog Ground | | AGND | Analog ground. Connect a 1.0 μF capacitor between the pin and Vss. |
| 37 | I/O | | P2[6] | External Voltage Reference (VREF) |
| 38 | Reserved | | RSVD | Reserved |
| 39 | I/O | I/O | P0[2] | Analog column mux input and column output |
| 40 | I/O | I/O | P0[4] | Analog column mux input and column output |
| 41 | | I | FSK_IN | Analog FSK Input |
| 42 | Power | | V _{DD} | Supply Voltage |
| 43 | I/O | I | P0[7] | Analog Column Mux Input |
| 44 | Reserved | | RSVD | Reserved |
| 45 | | O | FSK_OUT | Analog FSK Output |
| 46 | I/O | I | P0[1] | Analog Column Mux Input |
| 47 | O | | TX_SHUT DOWN | Output to disable transmit circuitry in receive mode Logic '0' - When the Modem is transmitting Logic '1' - When the Modem is not transmitting |
| 48 | I/O | | P2[5] | |

LEGEND: A = Analog, I = Input, O = Output, RSVD = Reserved (should be left unconnected).

Figure 12. CY8CPLC20 48-Pin PLC Device



Note

- The QFN package has a center pad that must be connected to ground (Vss).

100-Pin Part Pinout (On-Chip Debug)

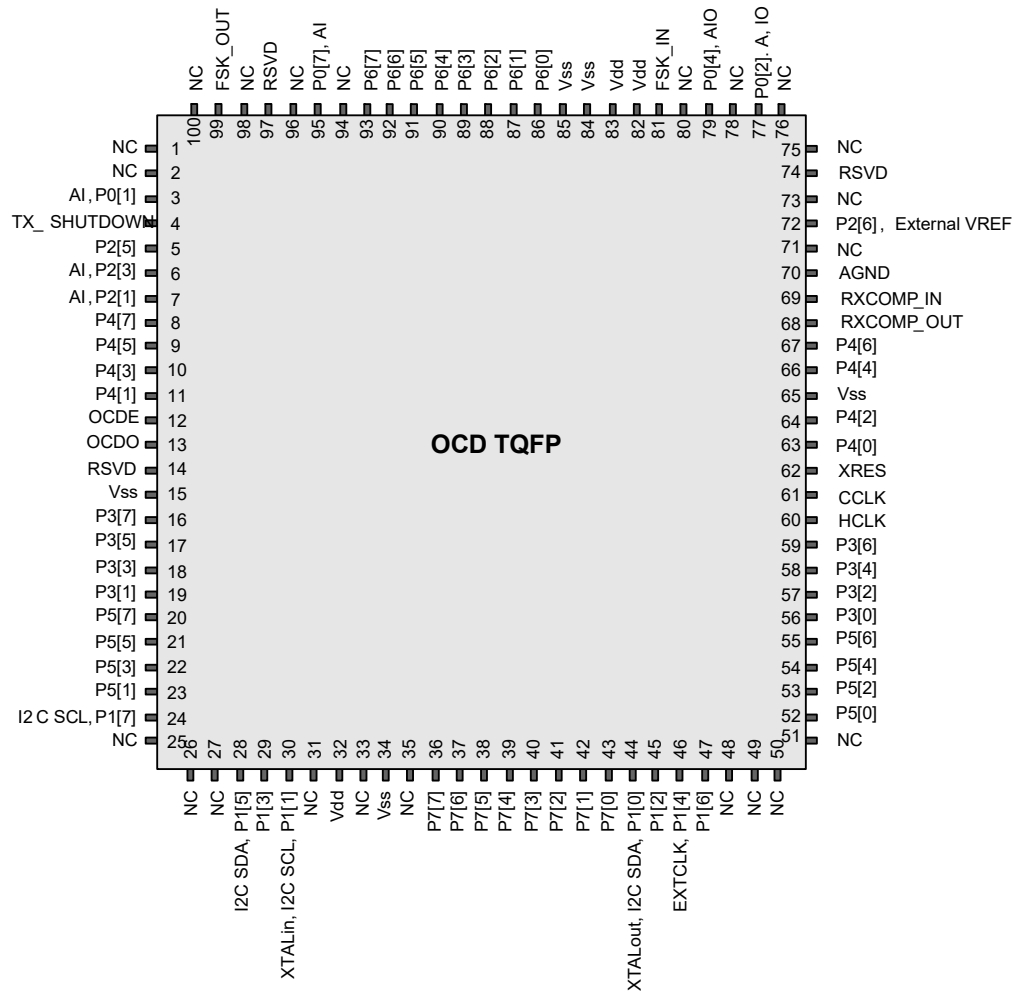
The 100-pin TQFP part is for the CY8CPLC20-OCD On-Chip Debug PLC device. Note that the OCD parts are only used for in-circuit debugging. OCD parts are NOT available for production.

Table 6. 100-Pin OCD Part Pinout (TQFP)

| Pin No. | Digital | Analog | Name | Description | Pin No. | Digital | Analog | Name | Description |
|---------|----------|--------|-----------------|------------------------------------------------------------------------------------------------------------------------------------------------------|---------|----------|--------|-----------------|-------------------------------------------------------------------------|
| 1 | | | NC | No connection | 51 | | | NC | No connection |
| 2 | | | NC | No connection | 52 | I/O | | P5[0] | |
| 3 | I/O | I | P0[1] | Analog column mux input | 53 | I/O | | P5[2] | |
| 4 | O | | TX_SHUT DOWN | Output to disable transmit circuitry in receive mode Logic '0' - When the Modem is transmitting Logic '1' - When the Modem is not transmitting | 54 | I/O | | P5[4] | |
| 5 | I/O | | P2[5] | | 55 | I/O | | P5[6] | |
| 6 | I/O | I | P2[3] | Direct switched capacitor block input | 56 | I/O | | P3[0] | |
| 7 | I/O | I | P2[1] | Direct switched capacitor block input | 57 | I/O | | P3[2] | |
| 8 | I/O | | P4[7] | | 58 | I/O | | P3[4] | |
| 9 | I/O | | P4[5] | | 59 | I/O | | P3[6] | |
| 10 | I/O | | P4[3] | | 60 | | | HCLK | OCD high speed clock output |
| 11 | I/O | | P4[1] | | 61 | | | CCLK | OCD CPU clock output |
| 12 | | | OCDE | OCD even data I/O | 62 | | Input | XRES | Active high pin reset with internal pull-down |
| 13 | | | OCDO | OCD odd data output | 63 | I/O | | P4[0] | |
| 14 | Reserved | | RSVD | Reserved | 64 | I/O | | P4[2] | |
| 15 | Power | | Vss | Ground connection | 65 | Power | | Vss | Ground connection |
| 16 | I/O | | P3[7] | | 66 | I/O | | P4[4] | |
| 17 | I/O | | P3[5] | | 67 | I/O | | P4[6] | |
| 18 | I/O | | P3[3] | | 68 | | O | RXCOMP_OUT | Analog output to external low pass filter circuitry |
| 19 | I/O | | P3[1] | | 69 | | I | RXCOMP_IN | Analog Input from external low pass filter circuitry |
| 20 | I/O | | P5[7] | | 70 | Ground | | AGND | Analog ground. connect a 1.0 μ F capacitor between the pin and Vss. |
| 21 | I/O | | P5[5] | | 71 | | | NC | no connection |
| 22 | I/O | | P5[3] | | 72 | I/O | | P2[6] | external voltage reference (vref) input |
| 23 | I/O | | P5[1] | | 73 | | | NC | No connection |
| 24 | I/O | | P1[7] | I ² C Serial clock (SCL) | 74 | Reserved | | RSVD | Reserved |
| 25 | | | NC | No connection | 75 | | | NC | No connection |
| 26 | | | NC | No connection | 76 | | | NC | No connection |
| 27 | | | NC | No connection | 77 | I/O | I/O | P0[2] | Analog column mux input and column output |
| 28 | I/O | | P1[5] | I ² C serial data (SDA) | 78 | | | NC | No Connection |
| 29 | I/O | | P1[3] | XTAL_STABILITY. Connect a 0.1 μ F capacitor between the pin and Vss. | 79 | I/O | I/O | P0[4] | Analog column mux input and column output, VREF |
| 30 | I/O | | P1[1]* | Crystal (XTALin ^[2]), I ² C Serial Clock (SCL), TC SCLK | 80 | | | NC | No Connection |
| 31 | | | NC | No connection | 81 | | I | FSK_IN | Analog FSK Input |
| 32 | Power | | V _{DD} | Supply voltage | 82 | Power | | V _{dd} | Supply voltage |
| 33 | | | NC | No connection | 83 | Power | | V _{dd} | Supply voltage |
| 34 | Power | | Vss | Ground connection | 84 | Power | | Vss | Ground connection |
| 35 | | | NC | No connection | 85 | Power | | Vss | Ground connection |
| 36 | I/O | | P7[7] | | 86 | I/O | | P6[0] | |
| 37 | I/O | | P7[6] | | 87 | I/O | | P6[1] | |
| 38 | I/O | | P7[5] | | 88 | I/O | | P6[2] | |
| 39 | I/O | | P7[4] | | 89 | I/O | | P6[3] | |
| 40 | I/O | | P7[3] | | 90 | I/O | | P6[4] | |
| 41 | I/O | | P7[2] | | 91 | I/O | | P6[5] | |
| 42 | I/O | | P7[1] | | 92 | I/O | | P6[6] | |
| 43 | I/O | | P7[0] | | 93 | I/O | | P6[7] | |
| 44 | I/O | | P1[0]* | Crystal (XTALout ^[2]), I ² C Serial Data (SDA), TC SDATA | 94 | | | NC | No connection |
| 45 | I/O | | P1[2] | | 95 | I/O | I | P0[7] | Analog column mux input |
| 46 | I/O | | P1[4] | Optional External Clock Input (EXTCLK ^[2]) | 96 | | | NC | No Connection |
| 47 | I/O | | P1[6] | | 97 | Reserved | | RSVD | Reserved |
| 48 | | | NC | No connection | 98 | | | NC | No connection |
| 49 | | | NC | No connection | 99 | | O | FSK_OUT | Analog FSK Output |
| 50 | | | NC | No connection | 100 | | | NC | No Connection |

LEGEND A = Analog, I = Input, O = Output, NC = No Connection, TC/TM: Test, RSVD = Reserved (should be left unconnected).

Figure 13. CY8CPLC20-OCD



Not for Production

Register Reference

This section lists the registers of the CY8CPLC20 PLC device. For detailed register information, reference the *PLC Technical Reference Manual*.

Register Conventions

Abbreviations Used

The register conventions specific to this section are listed in the following table.

| Convention | Description |
|------------|------------------------------|
| R | Read register or bit(s) |
| W | Write register or bit(s) |
| L | Logical register or bit(s) |
| C | Clearable register or bit(s) |
| # | Access is bit specific |

Register Mapping Tables

The CY8CPLC20 device has a total register address space of 512 bytes. The register space is referred to as I/O space and is divided into two banks, Bank 0 and Bank 1. The XO1 bit in the Flag register (CPU_F) determines which bank the user is currently in. When the XO1 bit is set the user is in Bank 1.

Note In the following register mapping tables, blank fields are reserved and should not be accessed.

Table 7. Register Map Bank 0 Table: User Space

| Name | Addr (0,Hex) | Access | Name | Addr (0,Hex) | Access | Name | Addr (0,Hex) | Access | Name | Addr (0,Hex) | Access |
|----------|--------------|--------|----------|--------------|--------|----------|--------------|--------|----------|--------------|--------|
| PRT0DR | 00 | RW | DBB20DR0 | 40 | # | ASC10CR0 | 80 | RW | RDI2RI | C0 | RW |
| PRT0IE | 01 | RW | DBB20DR1 | 41 | W | ASC10CR1 | 81 | RW | RDI2SYN | C1 | RW |
| PRT0GS | 02 | RW | DBB20DR2 | 42 | RW | ASC10CR2 | 82 | RW | RDI2IS | C2 | RW |
| PRT0DM2 | 03 | RW | DBB20CR0 | 43 | # | ASC10CR3 | 83 | RW | RDI2LT0 | C3 | RW |
| PRT1DR | 04 | RW | DBB21DR0 | 44 | # | ASD11CR0 | 84 | RW | RDI2LT1 | C4 | RW |
| PRT1IE | 05 | RW | DBB21DR1 | 45 | W | ASD11CR1 | 85 | RW | RDI2RO0 | C5 | RW |
| PRT1GS | 06 | RW | DBB21DR2 | 46 | RW | ASD11CR2 | 86 | RW | RDI2RO1 | C6 | RW |
| PRT1DM2 | 07 | RW | DBB21CR0 | 47 | # | ASD11CR3 | 87 | RW | | C7 | |
| PRT2DR | 08 | RW | DCB22DR0 | 48 | # | ASC12CR0 | 88 | RW | RDI3RI | C8 | RW |
| PRT2IE | 09 | RW | DCB22DR1 | 49 | W | ASC12CR1 | 89 | RW | RDI3SYN | C9 | RW |
| PRT2GS | 0A | RW | DCB22DR2 | 4A | RW | ASC12CR2 | 8A | RW | RDI3IS | CA | RW |
| PRT2DM2 | 0B | RW | DCB22CR0 | 4B | # | ASC12CR3 | 8B | RW | RDI3LT0 | CB | RW |
| PRT3DR | 0C | RW | DCB23DR0 | 4C | # | ASD13CR0 | 8C | RW | RDI3LT1 | CC | RW |
| PRT3IE | 0D | RW | DCB23DR1 | 4D | W | ASD13CR1 | 8D | RW | RDI3RO0 | CD | RW |
| PRT3GS | 0E | RW | DCB23DR2 | 4E | RW | ASD13CR2 | 8E | RW | RDI3RO1 | CE | RW |
| PRT3DM2 | 0F | RW | DCB23CR0 | 4F | # | ASD13CR3 | 8F | RW | | CF | |
| PRT4DR | 10 | RW | DBB30DR0 | 50 | # | ASD20CR0 | 90 | RW | CUR_PP | D0 | RW |
| PRT4IE | 11 | RW | DBB30DR1 | 51 | W | ASD20CR1 | 91 | RW | STK_PP | D1 | RW |
| PRT4GS | 12 | RW | DBB30DR2 | 52 | RW | ASD20CR2 | 92 | RW | | D2 | |
| PRT4DM2 | 13 | RW | DBB30CR0 | 53 | # | ASD20CR3 | 93 | RW | IDX_PP | D3 | RW |
| PRT5DR | 14 | RW | DBB31DR0 | 54 | # | ASC21CR0 | 94 | RW | MVR_PP | D4 | RW |
| PRT5IE | 15 | RW | DBB31DR1 | 55 | W | ASC21CR1 | 95 | RW | MVW_PP | D5 | RW |
| PRT5GS | 16 | RW | DBB31DR2 | 56 | RW | ASC21CR2 | 96 | RW | I2C_CFG | D6 | RW |
| PRT5DM2 | 17 | RW | DBB31CR0 | 57 | # | ASC21CR3 | 97 | RW | I2C_SCR | D7 | # |
| PRT6DR | 18 | RW | DCB32DR0 | 58 | # | ASD22CR0 | 98 | RW | I2C_DR | D8 | RW |
| PRT6IE | 19 | RW | DCB32DR1 | 59 | W | ASD22CR1 | 99 | RW | I2C_MSCR | D9 | # |
| PRT6GS | 1A | RW | DCB32DR2 | 5A | RW | ASD22CR2 | 9A | RW | INT_CLR0 | DA | RW |
| PRT6DM2 | 1B | RW | DCB32CR0 | 5B | # | ASD22CR3 | 9B | RW | INT_CLR1 | DB | RW |
| PRT7DR | 1C | RW | DCB33DR0 | 5C | # | ASC23CR0 | 9C | RW | INT_CLR2 | DC | RW |
| PRT7IE | 1D | RW | DCB33DR1 | 5D | W | ASC23CR1 | 9D | RW | INT_CLR3 | DD | RW |
| PRT7GS | 1E | RW | DCB33DR2 | 5E | RW | ASC23CR2 | 9E | RW | INT_MSK3 | DE | RW |
| PRT7DM2 | 1F | RW | DCB33CR0 | 5F | # | ASC23CR3 | 9F | RW | INT_MSK2 | DF | RW |
| DBB00DR0 | 20 | # | AMX_IN | 60 | RW | | A0 | | INT_MSK0 | E0 | RW |
| DBB00DR1 | 21 | W | | 61 | | | A1 | | INT_MSK1 | E1 | RW |
| DBB00DR2 | 22 | RW | | 62 | | | A2 | | INT_VC | E2 | RC |
| DBB00CR0 | 23 | # | ARF_CR | 63 | RW | | A3 | | RES_WDT | E3 | W |
| DBB01DR0 | 24 | # | CMP_CR0 | 64 | # | | A4 | | DEC_DH | E4 | RC |
| DBB01DR1 | 25 | W | ASY_CR | 65 | # | | A5 | | DEC_DL | E5 | RC |
| DBB01DR2 | 26 | RW | CMP_CR1 | 66 | RW | | A6 | | DEC_CR0 | E6 | RW |
| DBB01CR0 | 27 | # | | 67 | | | A7 | | DEC_CR1 | E7 | RW |
| DCB02DR0 | 28 | # | | 68 | | MUL1_X | A8 | W | MUL0_X | E8 | W |
| DCB02DR1 | 29 | W | | 69 | | MUL1_Y | A9 | W | MUL0_Y | E9 | W |
| DCB02DR2 | 2A | RW | | 6A | | MUL1_DH | AA | R | MUL0_DH | EA | R |
| DCB02CR0 | 2B | # | | 6B | | MUL1_DL | AB | R | MUL0_DL | EB | R |
| DCB03DR0 | 2C | # | TMP_DR0 | 6C | RW | ACC1_DR1 | AC | RW | ACC0_DR1 | EC | RW |
| DCB03DR1 | 2D | W | TMP_DR1 | 6D | RW | ACC1_DR0 | AD | RW | ACC0_DR0 | ED | RW |
| DCB03DR2 | 2E | RW | TMP_DR2 | 6E | RW | ACC1_DR3 | AE | RW | ACC0_DR3 | EE | RW |
| DCB03CR0 | 2F | # | TMP_DR3 | 6F | RW | ACC1_DR2 | AF | RW | ACC0_DR2 | EF | RW |
| DBB10DR0 | 30 | # | ACB00CR3 | 70 | RW | RDI0RI | B0 | RW | | F0 | |
| DBB10DR1 | 31 | W | ACB00CR0 | 71 | RW | RDI0SYN | B1 | RW | | F1 | |
| DBB10DR2 | 32 | RW | ACB00CR1 | 72 | RW | RDI0IS | B2 | RW | | F2 | |
| DBB10CR0 | 33 | # | ACB00CR2 | 73 | RW | RDI0LT0 | B3 | RW | | F3 | |
| DBB11DR0 | 34 | # | ACB01CR3 | 74 | RW | RDI0LT1 | B4 | RW | | F4 | |
| DBB11DR1 | 35 | W | ACB01CR0 | 75 | RW | RDI0RO0 | B5 | RW | | F5 | |
| DBB11DR2 | 36 | RW | ACB01CR1 | 76 | RW | RDI0RO1 | B6 | RW | | F6 | |
| DBB11CR0 | 37 | # | ACB01CR2 | 77 | RW | | B7 | | CPU_F | F7 | RL |
| DCB12DR0 | 38 | # | ACB02CR3 | 78 | RW | RDI1RI | B8 | RW | | F8 | |
| DCB12DR1 | 39 | W | ACB02CR0 | 79 | RW | RDI1SYN | B9 | RW | | F9 | |
| DCB12DR2 | 3A | RW | ACB02CR1 | 7A | RW | RDI1IS | BA | RW | | FA | |
| DCB12CR0 | 3B | # | ACB02CR2 | 7B | RW | RDI1LT0 | BB | RW | | FB | |
| DCB13DR0 | 3C | # | ACB03CR3 | 7C | RW | RDI1LT1 | BC | RW | | FC | |
| DCB13DR1 | 3D | W | ACB03CR0 | 7D | RW | RDI1RO0 | BD | RW | | FD | |
| DCB13DR2 | 3E | RW | ACB03CR1 | 7E | RW | RDI1RO1 | BE | RW | CPU_SCR1 | FE | # |
| DCB13CR0 | 3F | # | ACB03CR2 | 7F | RW | | BF | | CPU_SCR0 | FF | # |

Blank fields are Reserved and should not be accessed.

Access is bit specific.

Table 8. Register Map Bank 1 Table: Configuration Space

| Name | Addr (1,Hex) | Access | Name | Addr (1,Hex) | Access | Name | Addr (1,Hex) | Access | Name | Addr (1,Hex) | Access |
|---------|--------------|--------|----------|--------------|--------|----------|--------------|--------|-----------|--------------|--------|
| PRT0DM0 | 00 | RW | DBB20FN | 40 | RW | ASC10CR0 | 80 | RW | RDI2RI | C0 | RW |
| PRT0DM1 | 01 | RW | DBB20IN | 41 | RW | ASC10CR1 | 81 | RW | RDI2SYN | C1 | RW |
| PRT0IC0 | 02 | RW | DBB20OU | 42 | RW | ASC10CR2 | 82 | RW | RDI2IS | C2 | RW |
| PRT0IC1 | 03 | RW | | 43 | | ASC10CR3 | 83 | RW | RDI2LT0 | C3 | RW |
| PRT1DM0 | 04 | RW | DBB21FN | 44 | RW | ASD11CR0 | 84 | RW | RDI2LT1 | C4 | RW |
| PRT1DM1 | 05 | RW | DBB21IN | 45 | RW | ASD11CR1 | 85 | RW | RDI2RO0 | C5 | RW |
| PRT1IC0 | 06 | RW | DBB21OU | 46 | RW | ASD11CR2 | 86 | RW | RDI2RO1 | C6 | RW |
| PRT1IC1 | 07 | RW | | 47 | | ASD11CR3 | 87 | RW | | C7 | |
| PRT2DM0 | 08 | RW | DCB22FN | 48 | RW | ASC12CR0 | 88 | RW | RDI3RI | C8 | RW |
| PRT2DM1 | 09 | RW | DCB22IN | 49 | RW | ASC12CR1 | 89 | RW | RDI3SYN | C9 | RW |
| PRT2IC0 | 0A | RW | DCB22OU | 4A | RW | ASC12CR2 | 8A | RW | RDI3IS | CA | RW |
| PRT2IC1 | 0B | RW | | 4B | | ASC12CR3 | 8B | RW | RDI3LT0 | CB | RW |
| PRT3DM0 | 0C | RW | DCB23FN | 4C | RW | ASD13CR0 | 8C | RW | RDI3LT1 | CC | RW |
| PRT3DM1 | 0D | RW | DCB23IN | 4D | RW | ASD13CR1 | 8D | RW | RDI3RO0 | CD | RW |
| PRT3IC0 | 0E | RW | DCB23OU | 4E | RW | ASD13CR2 | 8E | RW | RDI3RO1 | CE | RW |
| PRT3IC1 | 0F | RW | | 4F | | ASD13CR3 | 8F | RW | | CF | |
| PRT4DM0 | 10 | RW | DBB30FN | 50 | RW | ASD20CR0 | 90 | RW | GDI_O_IN | D0 | RW |
| PRT4DM1 | 11 | RW | DBB30IN | 51 | RW | ASD20CR1 | 91 | RW | GDI_E_IN | D1 | RW |
| PRT4IC0 | 12 | RW | DBB30OU | 52 | RW | ASD20CR2 | 92 | RW | GDI_O_OU | D2 | RW |
| PRT4IC1 | 13 | RW | | 53 | | ASD20CR3 | 93 | RW | GDI_E_OU | D3 | RW |
| PRT5DM0 | 14 | RW | DBB31FN | 54 | RW | ASC21CR0 | 94 | RW | | D4 | |
| PRT5DM1 | 15 | RW | DBB31IN | 55 | RW | ASC21CR1 | 95 | RW | | D5 | |
| PRT5IC0 | 16 | RW | DBB31OU | 56 | RW | ASC21CR2 | 96 | RW | | D6 | |
| PRT5IC1 | 17 | RW | | 57 | | ASC21CR3 | 97 | RW | | D7 | |
| PRT6DM0 | 18 | RW | DCB32FN | 58 | RW | ASD22CR0 | 98 | RW | | D8 | |
| PRT6DM1 | 19 | RW | DCB32IN | 59 | RW | ASD22CR1 | 99 | RW | | D9 | |
| PRT6IC0 | 1A | RW | DCB32OU | 5A | RW | ASD22CR2 | 9A | RW | | DA | |
| PRT6IC1 | 1B | RW | | 5B | | ASD22CR3 | 9B | RW | | DB | |
| PRT7DM0 | 1C | RW | DCB33FN | 5C | RW | ASC23CR0 | 9C | RW | | DC | |
| PRT7DM1 | 1D | RW | DCB33IN | 5D | RW | ASC23CR1 | 9D | RW | OSC_GO_EN | DD | RW |
| PRT7IC0 | 1E | RW | DCB33OU | 5E | RW | ASC23CR2 | 9E | RW | OSC_CR4 | DE | RW |
| PRT7IC1 | 1F | RW | | 5F | | ASC23CR3 | 9F | RW | OSC_CR3 | DF | RW |
| DBB00FN | 20 | RW | CLK_CR0 | 60 | RW | | A0 | | OSC_CR0 | E0 | RW |
| DBB00IN | 21 | RW | CLK_CR1 | 61 | RW | | A1 | | OSC_CR1 | E1 | RW |
| DBB00OU | 22 | RW | ABF_CR0 | 62 | RW | | A2 | | OSC_CR2 | E2 | RW |
| | 23 | | AMD_CR0 | 63 | RW | | A3 | | VLT_CR | E3 | RW |
| DBB01FN | 24 | RW | | 64 | | | A4 | | VLT_CMP | E4 | R |
| DBB01IN | 25 | RW | | 65 | | | A5 | | | E5 | |
| DBB01OU | 26 | RW | AMD_CR1 | 66 | RW | | A6 | | | E6 | |
| | 27 | | ALT_CR0 | 67 | RW | | A7 | | DEC_CR2 | E7 | RW |
| DCB02FN | 28 | RW | ALT_CR1 | 68 | RW | | A8 | | IMO_TR | E8 | W |
| DCB02IN | 29 | RW | CLK_CR2 | 69 | RW | | A9 | | ILO_TR | E9 | W |
| DCB02OU | 2A | RW | | 6A | | | AA | | BDG_TR | EA | RW |
| | 2B | | | 6B | | | AB | | ECO_TR | EB | W |
| DCB03FN | 2C | RW | TMP_DR0 | 6C | RW | | AC | | | EC | |
| DCB03IN | 2D | RW | TMP_DR1 | 6D | RW | | AD | | | ED | |
| DCB03OU | 2E | RW | TMP_DR2 | 6E | RW | | AE | | | EE | |
| | 2F | | TMP_DR3 | 6F | RW | | AF | | | EF | |
| DBB10FN | 30 | RW | ACB00CR3 | 70 | RW | RDI0RI | B0 | RW | | F0 | |
| DBB10IN | 31 | RW | ACB00CR0 | 71 | RW | RDI0SYN | B1 | RW | | F1 | |
| DBB10OU | 32 | RW | ACB00CR1 | 72 | RW | RDI0IS | B2 | RW | | F2 | |
| | 33 | | ACB00CR2 | 73 | RW | RDI0LT0 | B3 | RW | | F3 | |
| DBB11FN | 34 | RW | ACB01CR3 | 74 | RW | RDI0LT1 | B4 | RW | | F4 | |
| DBB11IN | 35 | RW | ACB01CR0 | 75 | RW | RDI0RO0 | B5 | RW | | F5 | |
| DBB11OU | 36 | RW | ACB01CR1 | 76 | RW | RDI0RO1 | B6 | RW | | F6 | |
| | 37 | | ACB01CR2 | 77 | RW | | B7 | | CPU_F | F7 | RL |
| DCB12FN | 38 | RW | ACB02CR3 | 78 | RW | RDI1RI | B8 | RW | | F8 | |
| DCB12IN | 39 | RW | ACB02CR0 | 79 | RW | RDI1SYN | B9 | RW | | F9 | |
| DCB12OU | 3A | RW | ACB02CR1 | 7A | RW | RDI1IS | BA | RW | FLS_PR1 | FA | RW |
| | 3B | | ACB02CR2 | 7B | RW | RDI1LT0 | BB | RW | | FB | |
| DCB13FN | 3C | RW | ACB03CR3 | 7C | RW | RDI1LT1 | BC | RW | | FC | |
| DCB13IN | 3D | RW | ACB03CR0 | 7D | RW | RDI1RO0 | BD | RW | | FD | |
| DCB13OU | 3E | RW | ACB03CR1 | 7E | RW | RDI1RO1 | BE | RW | CPU_SCR1 | FE | # |
| | 3F | | ACB03CR2 | 7F | RW | | BF | | CPU_SCR0 | FF | # |

Blank fields are Reserved and should not be accessed.

Access is bit specific.

Electrical Specifications

This section presents the DC and AC electrical specifications of the CY8CPLC20 device. For the most up-to-date electrical specifications, confirm that you have the most recent data sheet by going to the web at <http://www.cypress.com>.

Specifications are valid for $-40\text{ }^{\circ}\text{C} \leq T_A \leq 85\text{ }^{\circ}\text{C}$ and $T_J \leq 100\text{ }^{\circ}\text{C}$, except where noted.

Absolute Maximum Ratings

Exceeding maximum ratings may shorten the useful life of the device. User guidelines are not tested.

Table 9. Absolute Maximum Ratings

| Symbol | Description | Min | Typ | Max | Units | Notes |
|-----------------------|---------------------------------------------------------------|-----------------------|-----|-----------------------|-------|------------------------------------------------------------------------------------------------------------------------------------------------------------------------------------|
| T _{STG} | Storage temperature | -55 | 25 | +100 | °C | Higher storage temperatures reduce data retention time. Recommended storage temperature is +25 °C ± 25 °C. Extended duration storage temperatures above 65 °C degrade reliability. |
| T _{BAKETEMP} | Bake temperature | – | 125 | See package label | °C | |
| T _{BAKETIME} | Bake time | See package label | – | 72 | Hours | |
| T _A | Ambient temperature with power applied | -40 | – | +85 | °C | |
| V _{DD} | Supply voltage on V _{DD} relative to V _{SS} | -0.5 | – | +6.0 | V | |
| V _{IO} | DC Input Voltage | V _{SS} - 0.5 | – | V _{DD} + 0.5 | V | |
| V _{IOZ} | DC voltage applied to Tri-state | V _{SS} - 0.5 | – | V _{DD} + 0.5 | V | |
| I _{MIO} | Maximum current into any port pin | -25 | – | +50 | mA | |
| I _{MAIO} | Maximum current into any port pin configured as analog Driver | -50 | – | +50 | mA | |
| ESD | Electro static discharge voltage | 2000 | – | – | V | Human Body Model ESD. |
| LU | Latch-up Current | – | – | 200 | mA | |

Operating Temperature

Table 10. Operating Temperature

| Symbol | Description | Min | Typ | Max | Units | Notes |
|----------------|----------------------|-----|-----|------|-------|---------------------------------------------------------------------------------------------------------------------------------------------------------------------------------------------------|
| T _A | Ambient temperature | -40 | – | +85 | °C | |
| T _J | Junction temperature | -40 | – | +100 | °C | The temperature rise from ambient to junction is package specific. See Thermal Impedances on page 44 . The user must limit the power consumption to comply with this requirement. |

DC Electrical Characteristics

Low Power Operation

The CY8CPLC20 device can be operated in a low power listen mode. Full details on the power numbers and associated firmware is present in [Using CY8CPLC20 in Powerline Communication \(PLC\) Applications - AN54416](#).

DC Chip-Level Specifications

The following table lists guaranteed maximum and minimum specifications for the voltage and temperature ranges: 4.75 V to 5.25 V and $-40\text{ }^{\circ}\text{C} \leq T_A \leq 85\text{ }^{\circ}\text{C}$. Typical parameters are measured at 5 V at 25 °C and are for design guidance only.

Table 11. DC Chip-Level Specifications

| Symbol | Description | Min | Typ | Max | Units | Notes |
|------------------|-----------------------------|------|-----|------|-------|-------------------------------------------------------------------------------------------------------------------------------------|
| V _{DD} | Supply Voltage | 4.75 | – | 5.25 | V | |
| I _{DD} | Supply Current | – | 8 | 14 | mA | Conditions are 5.0 V, T _A = 25 °C, CPU = 3 MHz, SYSCLK doubler disabled, VC1 = 1.5 MHz, VC2 = 93.75 kHz, VC3 = 0.366 kHz |
| V _{REF} | Reference Voltage (Bandgap) | 1.28 | 1.3 | 1.32 | V | Trimmed for appropriate V _{DD} |

DC GPIO Specifications

The following table lists guaranteed maximum and minimum specifications for the voltage and temperature range: 4.75 V to 5.25 V and $-40\text{ }^{\circ}\text{C} \leq T_A \leq 85\text{ }^{\circ}\text{C}$. Typical parameters are measured at 5 V at 25 °C and are for design guidance only.

Table 12. DC GPIO Specifications

| Symbol | Description | Min | Typ | Max | Units | Notes |
|------------------|-----------------------------------|-----------------------|-----|------|-------|--------------------------------------------------------------------------------------------------------------------------------------------------------------------------------|
| R _{PU} | Pull-up resistor | 4 | 5.6 | 8 | kΩ | |
| R _{PD} | Pull-down resistor | 4 | 5.6 | 8 | kΩ | |
| V _{OH} | High output level | V _{DD} - 1.0 | – | – | V | I _{OH} = 10 mA, (8 total loads, 4 on even port pins (for example, P0[2], P1[4]), 4 on odd port pins (for example, P0[3], P1[5])). 80 mA maximum combined IOH budget. |
| V _{OL} | Low output level | – | – | 0.75 | V | I _{OL} = 25 mA, (8 total loads, 4 on even port pins (for example, P0[2], P1[4]), 4 on odd port pins (for example, P0[3], P1[5])). 150 mA maximum combined IOL budget. |
| I _{OH} | High level source current | 10 | – | – | mA | V _{OH} = V _{DD} - 1.0 V. See the limitations of the total current in the Note for V _{OH} . |
| I _{OL} | Low level sink current | 25 | – | – | mA | V _{OL} = 0.75 V. See the limitations of the total current in the Note for V _{OL} . |
| V _{IL} | Input low level | – | – | 0.8 | V | |
| V _{IH} | Input high level | 2.1 | – | – | V | |
| V _H | Input hysteresis | – | 60 | – | mV | |
| I _{IL} | Input leakage (Absolute Value) | – | 1 | – | nA | Gross tested to 1 μA. |
| C _{IN} | Capacitive Load on Pins as Input | – | 3.5 | 10 | pF | Package and pin dependent. Temp = 25 °C. |
| C _{OUT} | Capacitive load on pins as output | – | 3.5 | 10 | pF | Package and pin dependent. Temp = 25 °C. |

DC Operational Amplifier Specifications

The following tables list guaranteed maximum and minimum specifications for the voltage and temperature ranges: 4.75 V to 5.25 V and $-40\text{ }^{\circ}\text{C} \leq T_A \leq 85\text{ }^{\circ}\text{C}$. Typical parameters are measured at 5 V at 25 °C and are for design guidance only.

The Operational Amplifier is a component of both the Analog Continuous Time PSoC blocks and the Analog Switched Capacitor PSoC blocks. The guaranteed specifications are measured in the Analog Continuous Time PSoC block. Typical parameters are measured at 5 V at 25 °C and are for design guidance only.

Table 13. 5-V DC Operational Amplifier Specifications

| Symbol | Description | Min | Typ | Max | Unit | Notes |
|----------------------|-------------------------------------------------------------------------------|------------------------|------|-----------------------|-------|----------------------------------------------------------------------------------------------------------------------------------|
| V _{OSOA} | Input offset voltage (absolute value) | – | 1.6 | 10 | mV | |
| | Power = Low, Opamp bias = Low | – | 1.6 | 10 | mV | |
| | Power = Low, Opamp bias = High | – | 1.6 | 10 | mV | |
| | Power = Medium, Opamp bias = Low | – | 1.6 | 10 | mV | |
| | Power = Medium, Opamp bias = High | – | 1.6 | 10 | mV | |
| | Power = High, Opamp bias = Low | – | 1.6 | 10 | mV | |
| | Power = High, Opamp bias = High | – | 1.6 | 10 | mV | |
| TCV _{OSOA} | Average input offset voltage drift | – | 4 | 23 | μV/°C | |
| I _{EBOA} | Input leakage current (port 0 analog pins) | – | 200 | – | pA | Gross tested to 1 μA |
| C _{INOA} | Input capacitance (port 0 analog pins) | – | 4.5 | 9.5 | pF | Package and pin dependent. Temp = 25 °C |
| V _{CMOA} | Common mode voltage range (All cases, except Power = High, Opamp bias = High) | 0 | – | V _{DD} | V | The common-mode input voltage range is measured through an analog output buffer. |
| | Common mode voltage range (Power = High, Opamp bias = High) | 0.5 | – | V _{DD} – 0.5 | V | The specification includes the limitations imposed by the characteristics of the analog output buffer. |
| CMRROA | Common mode rejection ratio | 60 | – | – | dB | |
| GOLOA | Open loop gain | 80 | – | – | dB | |
| V _{OHIGHOA} | High output voltage swing (internal signals) | V _{DD} – 0.01 | – | – | V | |
| V _{OLOWOA} | Low output voltage swing (internal signals) | – | – | 0.1 | V | |
| I _{SOA} | Supply current (including associated AGND buffer) | – | – | – | – | – |
| | Power = Low, Opamp bias = Low | – | 150 | 200 | μA | |
| | Power = Low, Opamp bias = High | – | 300 | 400 | μA | |
| | Power = Medium, Opamp bias = Low | – | 600 | 800 | μA | |
| | Power = Medium, Opamp bias = High | – | 1200 | 1600 | μA | |
| | Power = High, Opamp bias = Low | – | 2400 | 3200 | μA | |
| | Power = High, Opamp bias = High | – | 4600 | 6400 | μA | |
| PSRROA | Supply voltage rejection ratio | 67 | 80 | – | dB | V _{SS} ≤ V _{IN} ≤ (V _{DD} – 2.25) or (V _{DD} – 1.25 V) ≤ V _{IN} ≤ V _{DD} . |

DC Low Power Comparator Specifications

The following table lists guaranteed maximum and minimum specifications for the voltage and temperature ranges: 4.75 V to 5.25 V and $-40\text{ }^{\circ}\text{C} \leq T_A \leq 85\text{ }^{\circ}\text{C}$. Typical parameters are measured at 5 V at 25 °C and are for design guidance only.

Table 14. DC Low Power Comparator Specifications

| Symbol | Description | Min | Typ | Max | Units | Notes |
|---------------------|----------------------------------------------------|-----|-----|---------------------|-------|-------|
| V _{REFLPC} | Low power comparator (LPC) Reference Voltage Range | 0.2 | – | V _{DD} – 1 | V | |
| I _{SLPC} | LPC supply current | – | 10 | 40 | μA | |
| V _{OSLPC} | LPC voltage offset | – | 2.5 | 30 | mV | |

DC Analog Output Buffer Specifications

The following table lists guaranteed maximum and minimum specifications for the voltage and temperature ranges: 4.75 V to 5.25 V and $-40\text{ }^{\circ}\text{C} \leq T_A \leq 85\text{ }^{\circ}\text{C}$. Typical parameters are measured at 5 V at 25 $^{\circ}\text{C}$ and are for design guidance only.

Table 15. DC Analog Output Buffer Specifications

| Symbol | Description | Min | Typ | Max | Units | Notes |
|---------------|-------------------------------------------------------------------------------------------------------------------------------------------------------------------------------|--------------------------------------------------------|--------------------------|--------------------------------------------------------|--------------------------------|----------------------------------------------------------------------------------------|
| C_L | Load capacitance | – | – | 200 | pF | This specification applies to the external circuit driven by the analog output buffer. |
| V_{OSOB} | Input offset voltage (Absolute Value) Power = Low, Opamp bias = Low Power = Low, Opamp bias = High Power = High, Opamp bias = Low Power = High, Opamp bias = High | – – – – | 3.2 3.2 3.2 3.2 | 18 18 18 18 | mV mV mV mV | |
| TCV_{OSOB} | Average input offset voltage drift | – | 5.5 | 26 | $\mu\text{V}/^{\circ}\text{C}$ | |
| V_{CMOB} | Common-mode input voltage range | 0.5 | – | $V_{DD} - 1.0$ | V | |
| R_{OUTOB} | Output resistance Power = Low Power = High | – – | – – | 1 1 | W W | |
| $V_{OHIGHOB}$ | High output voltage swing (Load = 32 ohms to $V_{DD}/2$) Power = Low Power = High | $0.5 \times V_{DD} + 1.3$ $0.5 \times V_{DD} + 1.3$ | – – | – – | V V | |
| V_{LOWOB} | Low output voltage swing (Load = 32 ohms to $V_{DD}/2$) Power = Low Power = High | – – | – – | $0.5 \times V_{DD} - 1.3$ $0.5 \times V_{DD} - 1.3$ | V V | |
| I_{SOB} | Supply current including bias Cell (No Load) Power = Low Power = High | – – | 1.1 2.6 | 2 5 | mA mA | |
| $PSRR_{OB}$ | Supply voltage rejection ratio | 40 | 64 | – | dB | |

DC Analog Reference Specifications

Table 16 lists guaranteed maximum and minimum specifications for the voltage and temperature ranges: 4.75 V to 5.25 V and $-40\text{ }^{\circ}\text{C} \leq T_A \leq 85\text{ }^{\circ}\text{C}$. Typical parameters are measured at 5 V at 25°C and are for design guidance only.

The guaranteed specifications are measured through the Analog Continuous Time PSoC blocks. The power levels for AGND refer to the power of the Analog Continuous Time PSoC block. The power levels for RefHi and RefLo refer to the Analog Reference Control register. The limits stated for AGND include the offset error of the AGND buffer local to the Analog Continuous Time PSoC block. Reference control power is high.

Note Avoid using P2[4] for digital signaling when using an analog resource that depends on the Analog Reference. Some coupling of the digital signal may appear on the AGND.

Table 16. 5-V DC Analog Reference Specifications

| Reference ARF_CR[5:3] | Reference Power Settings | Symbol | Reference | Description | Min | Typ | Max | Unit |
|-----------------------|--------------------------------------|--------------------|-----------|------------------------------|----------------------------|----------------------------|----------------------------|------|
| 0b000 | RefPower = High Opamp bias = High | V _{REFHI} | Ref High | V _{DD} /2 + Bandgap | V _{DD} /2 + 1.228 | V _{DD} /2 + 1.290 | V _{DD} /2 + 1.352 | V |
| | | V _{AGND} | AGND | V _{DD} /2 | V _{DD} /2 - 0.078 | V _{DD} /2 - 0.007 | V _{DD} /2 + 0.063 | V |
| | | V _{REFLO} | Ref Low | V _{DD} /2 - Bandgap | V _{DD} /2 - 1.336 | V _{DD} /2 - 1.295 | V _{DD} /2 - 1.250 | V |
| | RefPower = High Opamp bias = Low | V _{REFHI} | Ref High | V _{DD} /2 + Bandgap | V _{DD} /2 + 1.224 | V _{DD} /2 + 1.293 | V _{DD} /2 + 1.356 | V |
| | | V _{AGND} | AGND | V _{DD} /2 | V _{DD} /2 - 0.056 | V _{DD} /2 - 0.005 | V _{DD} /2 + 0.043 | V |
| | | V _{REFLO} | Ref Low | V _{DD} /2 - Bandgap | V _{DD} /2 - 1.338 | V _{DD} /2 - 1.298 | V _{DD} /2 - 1.255 | V |
| | RefPower = Med Opamp bias = High | V _{REFHI} | Ref High | V _{DD} /2 + Bandgap | V _{DD} /2 + 1.226 | V _{DD} /2 + 1.293 | V _{DD} /2 + 1.356 | V |
| | | V _{AGND} | AGND | V _{DD} /2 | V _{DD} /2 - 0.057 | V _{DD} /2 - 0.006 | V _{DD} /2 + 0.044 | V |
| | | V _{REFLO} | Ref Low | V _{DD} /2 - Bandgap | V _{DD} /2 - 1.337 | V _{DD} /2 - 1.298 | V _{DD} /2 - 1.256 | V |
| | RefPower = Med Opamp bias = Low | V _{REFHI} | Ref High | V _{DD} /2 + Bandgap | V _{DD} /2 + 1.226 | V _{DD} /2 + 1.294 | V _{DD} /2 + 1.359 | V |
| | | V _{AGND} | AGND | V _{DD} /2 | V _{DD} /2 - 0.047 | V _{DD} /2 - 0.004 | V _{DD} /2 + 0.035 | V |
| | | V _{REFLO} | Ref Low | V _{DD} /2 - Bandgap | V _{DD} /2 - 1.338 | V _{DD} /2 - 1.299 | V _{DD} /2 - 1.258 | V |

Table 16. 5-V DC Analog Reference Specifications (continued)

| Reference ARF_CR[5:3] | Reference Power Settings | Symbol | Reference | Description | Min | Typ | Max | Unit |
|-----------------------|--------------------------------------|--------------------|-----------|-----------------------------------------------------------------|----------------------------|----------------------------|----------------------------|------|
| 0b001 | RefPower = High Opamp bias = High | V _{REFHI} | Ref High | P2[4] + P2[6] (P2[4] = V _{DD} /2, P2[6] = 1.3 V) | P2[4] + P2[6] – 0.085 | P2[4] + P2[6] – 0.016 | P2[4] + P2[6] + 0.044 | V |
| | | V _{AGND} | AGND | P2[4] | P2[4] | P2[4] | P2[4] | – |
| | | V _{REFLO} | Ref Low | P2[4] – P2[6] (P2[4] = V _{DD} /2, P2[6] = 1.3 V) | P2[4] – P2[6] – 0.022 | P2[4] – P2[6] + 0.010 | P2[4] – P2[6] + 0.055 | V |
| | RefPower = High Opamp bias = Low | V _{REFHI} | Ref High | P2[4] + P2[6] (P2[4] = V _{DD} /2, P2[6] = 1.3 V) | P2[4] + P2[6] – 0.077 | P2[4] + P2[6] – 0.010 | P2[4] + P2[6] + 0.051 | V |
| | | V _{AGND} | AGND | P2[4] | P2[4] | P2[4] | P2[4] | – |
| | | V _{REFLO} | Ref Low | P2[4] – P2[6] (P2[4] = V _{DD} /2, P2[6] = 1.3 V) | P2[4] – P2[6] – 0.022 | P2[4] – P2[6] + 0.005 | P2[4] – P2[6] + 0.039 | V |
| | RefPower = Med Opamp bias = High | V _{REFHI} | Ref High | P2[4] + P2[6] (P2[4] = V _{DD} /2, P2[6] = 1.3 V) | P2[4] + P2[6] – 0.070 | P2[4] + P2[6] – 0.010 | P2[4] + P2[6] + 0.050 | V |
| | | V _{AGND} | AGND | P2[4] | P2[4] | P2[4] | P2[4] | – |
| | | V _{REFLO} | Ref Low | P2[4] – P2[6] (P2[4] = V _{DD} /2, P2[6] = 1.3 V) | P2[4] – P2[6] – 0.022 | P2[4] – P2[6] + 0.005 | P2[4] – P2[6] + 0.039 | V |
| | RefPower = Med Opamp bias = Low | V _{REFHI} | Ref High | P2[4] + P2[6] (P2[4] = V _{DD} /2, P2[6] = 1.3 V) | P2[4] + P2[6] – 0.070 | P2[4] + P2[6] – 0.007 | P2[4] + P2[6] + 0.054 | V |
| | | V _{AGND} | AGND | P2[4] | P2[4] | P2[4] | P2[4] | – |
| | | V _{REFLO} | Ref Low | P2[4] – P2[6] (P2[4] = V _{DD} /2, P2[6] = 1.3 V) | P2[4] – P2[6] – 0.022 | P2[4] – P2[6] + 0.002 | P2[4] – P2[6] + 0.032 | V |
| 0b010 | RefPower = High Opamp bias = High | V _{REFHI} | Ref High | V _{DD} | V _{DD} – 0.037 | V _{DD} – 0.009 | V _{DD} | V |
| | | V _{AGND} | AGND | V _{DD} /2 | V _{DD} /2 – 0.061 | V _{DD} /2 – 0.006 | V _{DD} /2 + 0.047 | V |
| | | V _{REFLO} | Ref Low | V _{SS} | V _{SS} | V _{SS} + 0.007 | V _{SS} + 0.028 | V |
| | RefPower = High Opamp bias = Low | V _{REFHI} | Ref High | V _{DD} | V _{DD} – 0.039 | V _{DD} – 0.006 | V _{DD} | V |
| | | V _{AGND} | AGND | V _{DD} /2 | V _{DD} /2 – 0.049 | V _{DD} /2 – 0.005 | V _{DD} /2 + 0.036 | V |
| | | V _{REFLO} | Ref Low | V _{SS} | V _{SS} | V _{SS} + 0.005 | V _{SS} + 0.019 | V |
| | RefPower = Med Opamp bias = High | V _{REFHI} | Ref High | V _{DD} | V _{DD} – 0.037 | V _{DD} – 0.007 | V _{DD} | V |
| | | V _{AGND} | AGND | V _{DD} /2 | V _{DD} /2 – 0.054 | V _{DD} /2 – 0.005 | V _{DD} /2 + 0.041 | V |
| | | V _{REFLO} | Ref Low | V _{SS} | V _{SS} | V _{SS} + 0.006 | V _{SS} + 0.024 | V |
| | RefPower = Med Opamp bias = Low | V _{REFHI} | Ref High | V _{DD} | V _{DD} – 0.042 | V _{DD} – 0.005 | V _{DD} | V |
| | | V _{AGND} | AGND | V _{DD} /2 | V _{DD} /2 – 0.046 | V _{DD} /2 – 0.004 | V _{DD} /2 + 0.034 | V |
| | | V _{REFLO} | Ref Low | V _{SS} | V _{SS} | V _{SS} + 0.004 | V _{SS} + 0.017 | V |

Table 16. 5-V DC Analog Reference Specifications (continued)

| Reference ARF_CR[5:3] | Reference Power Settings | Symbol | Reference | Description | Min | Typ | Max | Unit |
|-----------------------|--------------------------------------|--------------------|-----------|-------------------------------------|---------------|---------------|---------------|------|
| 0b011 | RefPower = High Opamp bias = High | V _{REFHI} | Ref High | 3 × Bandgap | 3.788 | 3.891 | 3.986 | V |
| | | V _{AGND} | AGND | 2 × Bandgap | 2.500 | 2.604 | 3.699 | V |
| | | V _{REFLO} | Ref Low | Bandgap | 1.257 | 1.306 | 1.359 | V |
| | RefPower = High Opamp bias = Low | V _{REFHI} | Ref High | 3 × Bandgap | 3.792 | 3.893 | 3.982 | V |
| | | V _{AGND} | AGND | 2 × Bandgap | 2.518 | 2.602 | 2.692 | V |
| | | V _{REFLO} | Ref Low | Bandgap | 1.256 | 1.302 | 1.354 | V |
| | RefPower = Med Opamp bias = High | V _{REFHI} | Ref High | 3 × Bandgap | 3.795 | 3.894 | 3.993 | V |
| | | V _{AGND} | AGND | 2 × Bandgap | 2.516 | 2.603 | 2.698 | V |
| | | V _{REFLO} | Ref Low | Bandgap | 1.256 | 1.303 | 1.353 | V |
| | RefPower = Med Opamp bias = Low | V _{REFHI} | Ref High | 3 × Bandgap | 3.792 | 3.895 | 3.986 | V |
| | | V _{AGND} | AGND | 2 × Bandgap | 2.522 | 2.602 | 2.685 | V |
| | | V _{REFLO} | Ref Low | Bandgap | 1.255 | 1.301 | 1.350 | V |
| 0b100 | RefPower = High Opamp bias = High | V _{REFHI} | Ref High | 2 × Bandgap + P2[6] (P2[6] = 1.3 V) | 2.495 – P2[6] | 2.586 – P2[6] | 2.657 – P2[6] | V |
| | | V _{AGND} | AGND | 2 × Bandgap | 2.502 | 2.604 | 2.719 | V |
| | | V _{REFLO} | Ref Low | 2 × Bandgap – P2[6] (P2[6] = 1.3 V) | 2.531 – P2[6] | 2.611 – P2[6] | 2.681 – P2[6] | V |
| | RefPower = High Opamp bias = Low | V _{REFHI} | Ref High | 2 × Bandgap + P2[6] (P2[6] = 1.3 V) | 2.500 – P2[6] | 2.591 – P2[6] | 2.662 – P2[6] | V |
| | | V _{AGND} | AGND | 2 × Bandgap | 2.519 | 2.602 | 2.693 | V |
| | | V _{REFLO} | Ref Low | 2 × Bandgap – P2[6] (P2[6] = 1.3 V) | 2.530 – P2[6] | 2.605 – P2[6] | 2.666 – P2[6] | V |
| | RefPower = Med Opamp bias = High | V _{REFHI} | Ref High | 2 × Bandgap + P2[6] (P2[6] = 1.3 V) | 2.503 – P2[6] | 2.592 – P2[6] | 2.662 – P2[6] | V |
| | | V _{AGND} | AGND | 2 × Bandgap | 2.517 | 2.603 | 2.698 | V |
| | | V _{REFLO} | Ref Low | 2 × Bandgap – P2[6] (P2[6] = 1.3 V) | 2.529 – P2[6] | 2.606 – P2[6] | 2.665 – P2[6] | V |
| | RefPower = Med Opamp bias = Low | V _{REFHI} | Ref High | 2 × Bandgap + P2[6] (P2[6] = 1.3 V) | 2.505 – P2[6] | 2.594 – P2[6] | 2.665 – P2[6] | V |
| | | V _{AGND} | AGND | 2 × Bandgap | 2.525 | 2.602 | 2.685 | V |
| | | V _{REFLO} | Ref Low | 2 × Bandgap – P2[6] (P2[6] = 1.3 V) | 2.528 – P2[6] | 2.603 – P2[6] | 2.661 – P2[6] | V |

Table 16. 5-V DC Analog Reference Specifications (continued)

| Reference ARF_CR[5:3] | Reference Power Settings | Symbol | Reference | Description | Min | Typ | Max | Unit |
|-----------------------|--------------------------------------|--------------------|-----------|-------------------------------------------------|-----------------|-------------------------|-------------------------|------|
| 0b101 | RefPower = High Opamp bias = High | V _{REFHI} | Ref High | P2[4] + Bandgap (P2[4] = V _{DD} /2) | P2[4] + 1.222 | P2[4] + 1.290 | P2[4] + 1.343 | V |
| | | V _{AGND} | AGND | P2[4] | P2[4] | P2[4] | P2[4] | – |
| | | V _{REFLO} | Ref Low | P2[4] – Bandgap (P2[4] = V _{DD} /2) | P2[4] – 1.331 | P2[4] – 1.295 | P2[4] – 1.254 | V |
| | RefPower = High Opamp bias = Low | V _{REFHI} | Ref High | P2[4] + Bandgap (P2[4] = V _{DD} /2) | P2[4] + 1.226 | P2[4] + 1.293 | P2[4] + 1.347 | V |
| | | V _{AGND} | AGND | P2[4] | P2[4] | P2[4] | P2[4] | – |
| | | V _{REFLO} | Ref Low | P2[4] – Bandgap (P2[4] = V _{DD} /2) | P2[4] – 1.331 | P2[4] – 1.298 | P2[4] – 1.259 | V |
| | RefPower = Med Opamp bias = High | V _{REFHI} | Ref High | P2[4] + Bandgap (P2[4] = V _{DD} /2) | P2[4] + 1.227 | P2[4] + 1.294 | P2[4] + 1.347 | V |
| | | V _{AGND} | AGND | P2[4] | P2[4] | P2[4] | P2[4] | – |
| | | V _{REFLO} | Ref Low | P2[4] – Bandgap (P2[4] = V _{DD} /2) | P2[4] – 1.331 | P2[4] – 1.298 | P2[4] – 1.259 | V |
| | RefPower = Med Opamp bias = Low | V _{REFHI} | Ref High | P2[4] + Bandgap (P2[4] = V _{DD} /2) | P2[4] + 1.228 | P2[4] + 1.295 | P2[4] + 1.349 | V |
| | | V _{AGND} | AGND | P2[4] | P2[4] | P2[4] | P2[4] | – |
| | | V _{REFLO} | Ref Low | P2[4] – Bandgap (P2[4] = V _{DD} /2) | P2[4] – 1.332 | P2[4] – 1.299 | P2[4] – 1.260 | V |
| 0b110 | RefPower = High Opamp bias = High | V _{REFHI} | Ref High | 2 × Bandgap | 2.535 | 2.598 | 2.644 | V |
| | | V _{AGND} | AGND | Bandgap | 1.227 | 1.305 | 1.398 | V |
| | | V _{REFLO} | Ref Low | V _{SS} | V _{SS} | V _{SS} + 0.009 | V _{SS} + 0.038 | V |
| | RefPower = High Opamp bias = Low | V _{REFHI} | Ref High | 2 × Bandgap | 2.530 | 2.598 | 2.643 | V |
| | | V _{AGND} | AGND | Bandgap | 1.244 | 1.303 | 1.370 | V |
| | | V _{REFLO} | Ref Low | V _{SS} | V _{SS} | V _{SS} + 0.005 | V _{SS} + 0.024 | V |
| | RefPower = Med Opamp bias = High | V _{REFHI} | Ref High | 2 × Bandgap | 2.532 | 2.598 | 2.644 | V |
| | | V _{AGND} | AGND | Bandgap | 1.239 | 1.304 | 1.380 | V |
| | | V _{REFLO} | Ref Low | V _{SS} | V _{SS} | V _{SS} + 0.006 | V _{SS} + 0.026 | V |
| | RefPower = Med Opamp bias = Low | V _{REFHI} | Ref High | 2 × Bandgap | 2.528 | 2.598 | 2.645 | V |
| | | V _{AGND} | AGND | Bandgap | 1.249 | 1.302 | 1.362 | V |
| | | V _{REFLO} | Ref Low | V _{SS} | V _{SS} | V _{SS} + 0.004 | V _{SS} + 0.018 | V |
| 0b111 | RefPower = High Opamp bias = High | V _{REFHI} | Ref High | 3.2 × Bandgap | 4.041 | 4.155 | 4.234 | V |
| | | V _{AGND} | AGND | 1.6 × Bandgap | 1.998 | 2.083 | 2.183 | V |
| | | V _{REFLO} | Ref Low | V _{SS} | V _{SS} | V _{SS} + 0.010 | V _{SS} + 0.038 | V |
| | RefPower = High Opamp bias = Low | V _{REFHI} | Ref High | 3.2 × Bandgap | 4.047 | 4.153 | 4.236 | V |
| | | V _{AGND} | AGND | 1.6 × Bandgap | 2.012 | 2.082 | 2.157 | V |
| | | V _{REFLO} | Ref Low | V _{SS} | V _{SS} | V _{SS} + 0.006 | V _{SS} + 0.024 | V |
| | RefPower = Med Opamp bias = High | V _{REFHI} | Ref High | 3.2 × Bandgap | 4.049 | 4.154 | 4.238 | V |
| | | V _{AGND} | AGND | 1.6 × Bandgap | 2.008 | 2.083 | 2.165 | V |
| | | V _{REFLO} | Ref Low | V _{SS} | V _{SS} | V _{SS} + 0.006 | V _{SS} + 0.026 | V |
| | RefPower = Med Opamp bias = Low | V _{REFHI} | Ref High | 3.2 × Bandgap | 4.047 | 4.154 | 4.238 | V |
| | | V _{AGND} | AGND | 1.6 × Bandgap | 2.016 | 2.081 | 2.150 | V |
| | | V _{REFLO} | Ref Low | V _{SS} | V _{SS} | V _{SS} + 0.004 | V _{SS} + 0.018 | V |

DC Analog PSoC Block Specifications

The following table lists guaranteed maximum and minimum specifications for the voltage and temperature ranges: 4.75 V to 5.25 V and $-40\text{ }^{\circ}\text{C} \leq T_A \leq 85\text{ }^{\circ}\text{C}$. Typical parameters are measured at 5 V at 25 °C and are for design guidance only.

Table 17. DC Analog PSoC Block Specifications

| Symbol | Description | Min | Typ | Max | Units | Notes |
|-----------------|---------------------------------------|-----|------|-----|-------|-------|
| R _{CT} | Resistor Unit Value (Continuous Time) | – | 12.2 | – | kΩ | |
| C _{SC} | Capacitor Unit Value (Switch Cap) | – | 80 | – | fF | |

POR and LVD Specifications

The following table lists guaranteed maximum and minimum specifications for the voltage and temperature ranges: 4.75 V to 5.25 V and $-40\text{ }^{\circ}\text{C} \leq T_A \leq 85\text{ }^{\circ}\text{C}$. Typical parameters are measured at 5 V at 25 °C and are for design guidance only.

Table 18. DC POR and LVD Specifications

| Symbol | Description | Min | Typ | Max | Units | Notes |
|----------------------------------------|--------------------------------------------------------------------------|--------------|--------------|--------------|--------|-------|
| V _{PPOR2R} | V _{DD} Value for PPOR Trip (positive ramp) PORLEV[1:0] = 10b | – | 4.55 | – | V | |
| V _{PPOR2} | V _{DD} Value for PPOR Trip (negative ramp) PORLEV[1:0] = 10b | – | 4.55 | – | V | |
| V _{PH2} | PPOR Hysteresis PORLEV[1:0] = 10b | – | 0 | – | mV | |
| V _{LVD6} V _{LVD7} | V _{DD} value for LVD Trip VM[2:0] = 110b VM[2:0] = 111b | 4.63 4.72 | 4.73 4.81 | 4.82 4.91 | V V | |

DC Programming Specifications

The following table lists guaranteed maximum and minimum specifications for the voltage and temperature ranges: 4.75 V to 5.25 V and $-40\text{ }^{\circ}\text{C} \leq T_A \leq 85\text{ }^{\circ}\text{C}$. Typical parameters are measured at 5 V at 25 °C and are for design guidance only.

Table 19. DC Programming Specifications

| Symbol | Description | Min | Typ | Max | Units | Notes |
|-----------------------|---------------------------------------------------------------------------------------------|-----------------------|-----|------------------------|-------|-----------------------------------------------------------------------------------------|
| V _{DDP} | V _{DD} for programming and erase | 4.5 | 5 | 5.5 | V | This specification applies to the functional requirements of external programmer tools. |
| V _{DDL} | Low V _{DD} for verify | 4.7 | 4.8 | 4.9 | V | This specification applies to the functional requirements of external programmer tools. |
| V _{DDH} | High V _{DD} for verify | 5.1 | 5.2 | 5.3 | V | This specification applies to the functional requirements of external programmer tools. |
| V _{DDWRITE} | Supply voltage for flash write operation | 4.75 | 5.0 | 5.25 | V | This specification applies to this device when it is executing internal flash writes. |
| I _{DDP} | Supply current during programming or verify | – | 10 | 30 | mA | |
| V _{ILP} | Input low voltage during programming or verify | – | – | 0.8 | V | |
| V _{IHP} | Input high voltage during programming or verify | 2.2 | – | – | V | |
| I _{ILP} | Input current when applying V _{ILP} to P1[0] or P1[1] during programming or verify | – | – | 0.2 | mA | Driving internal pull-down resistor |
| I _{IHP} | Input current when applying V _{IHP} to P1[0] or P1[1] during programming or verify | – | – | 1.5 | mA | Driving internal pull-down resistor |
| V _{OLV} | Output low voltage during programming or verify | – | – | V _{SS} + 0.75 | V | |
| V _{OHV} | Output high voltage during programming or verify | V _{DD} - 1.0 | – | V _{DD} | V | |
| Flash _{ENPB} | Flash endurance (per block) | 50,000 | – | – | – | Erase/write cycles per block |
| Flash _{ENT} | Flash endurance (total) ^[4] | 1,800,000 | – | – | – | Erase/write cycles |
| Flash _{DR} | Flash data retention | 10 | – | – | Years | |

DC I²C Specifications

The following table lists guaranteed maximum and minimum specifications for the voltage and temperature ranges: 4.75 V to 5.25 V and $-40\text{ }^{\circ}\text{C} \leq T_A \leq 85\text{ }^{\circ}\text{C}$. Typical parameters are measured at 5 V at 25 °C and are for design guidance only.

Table 20. DC I²C Specifications

| Parameter | Description | Min | Typ | Max | Units | Notes |
|----------------------------------|------------------|-----------------------|-----|------------------------|-------|-----------------------------------|
| V _{IL2C} ^[5] | Input low level | – | – | 0.25 × V _{DD} | V | 4.75 V ≤ V _{DD} ≤ 5.25 V |
| V _{IH2C} ^[5] | Input high level | 0.7 × V _{DD} | – | – | V | 4.75 V ≤ V _{DD} ≤ 5.25 V |

Notes

- A maximum of 36 x 50,000 block endurance cycles is allowed. This may be balanced between operations on 36x1 blocks of 50,000 maximum cycles each, 36x2 blocks of 25,000 maximum cycles each, or 36x4 blocks of 12,500 maximum cycles each (to limit the total number of cycles to 36x50,000 and that no single block ever sees more than 50,000 cycles). For the full industrial range, the user must employ a temperature sensor user module (FlashTemp) and feed the result to the temperature argument before writing. Refer to the Flash APIs Application Note AN2015 at <http://www.cypress.com> under Application Notes for more information.
- All GPIOs meet the DC GPIO V_{IL} and V_{IH} specifications found in the DC GPIO specifications sections. The I²C GPIO pins also meet the mentioned specs.

AC Electrical Characteristics
AC Chip-Level Specifications

The following table lists guaranteed maximum and minimum specifications for the voltage and temperature ranges: 4.75 V to 5.25 V and $-40\text{ }^{\circ}\text{C} \leq T_A \leq 85\text{ }^{\circ}\text{C}$. Typical parameters are measured at 5 V at 25 °C and are for design guidance only.

Note See the individual user module data sheets for information on maximum frequencies for user modules.

Table 21. AC Chip-Level Specifications

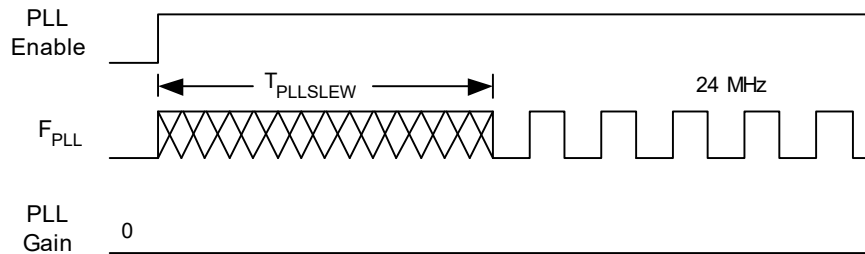
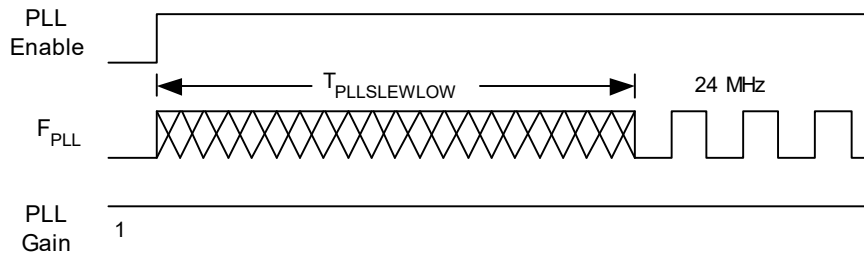
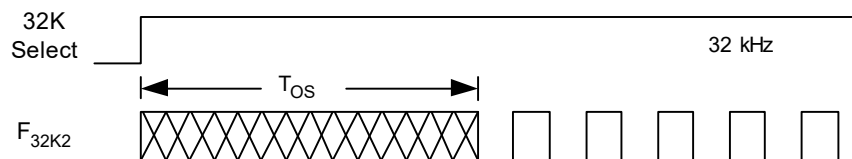
| Symbol | Description | Min | Typ | Max | Units | Notes |
|-------------------------|---------------------------------------------------------|--------|--------|------------------------|-------|--------------------------------------------------------------------------------------------------------------------------------------------------------------------------------------------------------------------------------------------------------------------------------------|
| F _{IMO24} | Internal main oscillator frequency for 24 MHz | 23.4 | 24 | 24.6 | MHz | Trimmed for 5V operation using factory trim values. SLIMO Mode = 0. |
| F _{IMO6} | Internal main oscillator frequency for 6 MHz | 5.5 | 6 | 6.5 ^[6] | MHz | Trimmed for 5V operation using factory trim values. SLIMO Mode = 1. |
| F _{CPU1} | CPU frequency (5 V Nominal) | 0.0914 | 24 | 24.6 ^[6] | MHz | SLIMO Mode = 0. |
| F _{48M} | Digital PSoC Block Frequency | 0 | 48 | 49.2 ^[6, 7] | MHz | Refer to the AC Digital Block Specifications below. |
| F _{32K1} | Internal low speed oscillator frequency | 15 | 32 | 64 | kHz | |
| F _{32K2} | External crystal oscillator | – | 32.768 | – | kHz | Accuracy is capacitor and crystal dependent. 50% duty cycle. |
| F _{32K_U} | Internal low speed oscillator (ILO) Untrimmed Frequency | 5 | – | 100 | kHz | After a reset and before the M8C starts to run, the ILO is not trimmed. See the System Resets section of the <i>PSoC Technical Reference Manual</i> for details on this timing. |
| F _{PLL} | PLL frequency | – | 23.986 | – | MHz | A multiple (x732) of crystal frequency. |
| T _{PLLSLEW} | PLL Lock time | 0.5 | – | 10 | ms | |
| T _{PLLSLEWLOW} | PLL Lock time for low gain setting | 0.5 | – | 50 | ms | |
| T _{OS} | External crystal oscillator startup to 1% | – | 250 | 500 | ms | |
| T _{OSACC} | External crystal oscillator startup to 100 ppm | – | 300 | 600 | ms | The crystal oscillator frequency is within 100 ppm of its final value by the end of the T _{OSACC} period. Correct operation assumes a properly loaded 1 μW maximum drive level 32.768 kHz crystal. $-40\text{ }^{\circ}\text{C} \leq T_A \leq 85\text{ }^{\circ}\text{C}$. |
| T _{XRST} | External reset pulse width | 10 | – | – | μs | |
| SR _{POWER_UP} | Power supply slew rate | – | – | 250 | V/ms | V _{DD} slew rate during power up. |
| T _{POWERUP} | Time from End of POR to CPU Executing Code | – | 16 | 100 | ms | Power up from 0 V. See the System Resets section of the <i>PSoC Technical Reference Manual</i> . |
| DC _{24M} | 24 MHz Duty Cycle | 40 | 50 | 60 | % | |
| DC _{ILO} | Internal low speed oscillator duty cycle | 20 | 50 | 80 | % | |
| Step _{24M} | 24 MHz trim step size | – | 50 | – | kHz | |
| F _{out48M} | 48 MHz output frequency | 46.8 | 48.0 | 49.2 | MHz | Trimmed. Utilizing factory trim values. |
| F _{MAX} | Maximum frequency of signal on row input or row output. | – | – | 12.3 | MHz | |

Notes

6. Accuracy derived from Internal Main Oscillator with appropriate trim for V_{dd} range.
7. See the individual user module data sheets for information on maximum frequencies for user modules.
8. Refer to Cypress Jitter Specifications application note, [Understanding Datasheet Jitter Specifications for Cypress Timing Products – AN5054](#) for more information.

Table 21. AC Chip-Level Specifications (continued)

| Symbol | Description | Min | Typ | Max | Units | Notes |
|----------------------|----------------------------------------------------|-----|-----|------|-------|--------|
| $t_{jit_IMO}^{[8]}$ | 24 MHz IMO cycle-to-cycle jitter (RMS) | – | 200 | 700 | ps | |
| | 24 MHz IMO long term N cycle-to-cycle jitter (RMS) | – | 300 | 900 | ps | N = 32 |
| | 24 MHz IMO period jitter (RMS) | – | 100 | 400 | ps | |
| $t_{jit_PLL}^{[8]}$ | 24 MHz IMO cycle-to-cycle jitter (RMS) | – | 200 | 800 | ps | |
| | 24 MHz IMO long term N cycle-to-cycle jitter (RMS) | – | 300 | 1200 | ps | N = 32 |
| | 24 MHz IMO period jitter (RMS) | – | 100 | 700 | ps | |

Figure 14. PLL Lock Timing Diagram

Figure 15. PLL Lock for Low Gain Setting Timing Diagram

Figure 16. External Crystal Oscillator Startup Timing Diagram


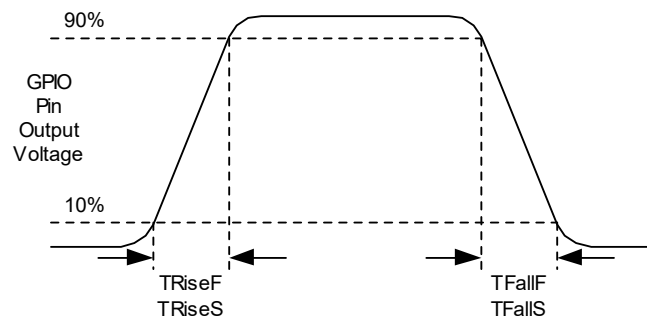
AC GPIO Specifications

The following table lists guaranteed maximum and minimum specifications for the voltage and temperature ranges: 4.75 V to 5.25 V and $-40\text{ }^{\circ}\text{C} \leq T_A \leq 85\text{ }^{\circ}\text{C}$. Typical parameters are measured at 5 V at 25 °C and are for design guidance only.

Table 22. AC GPIO Specifications

| Symbol | Description | Min | Typ | Max | Units | Notes |
|--------------------|----------------------------------------------|-----|-----|------|-------|--------------------|
| F _{GPIO} | GPIO Operating Frequency | 0 | – | 12.3 | MHz | Normal Strong Mode |
| T _{RiseF} | Rise Time, Normal Strong Mode, Cload = 50 pF | 3 | – | 18 | ns | 10% to 90% |
| T _{FallF} | Fall Time, Normal Strong Mode, Cload = 50 pF | 2 | – | 18 | ns | 10% to 90% |
| T _{RiseS} | Rise Time, Slow Strong Mode, Cload = 50 pF | 10 | 27 | – | ns | 10% to 90% |
| T _{FallS} | Fall Time, Slow Strong Mode, Cload = 50 pF | 10 | 22 | – | ns | 10% to 90% |

Figure 17. GPIO Timing Diagram



AC Operational Amplifier Specifications

Table 23 lists guaranteed maximum and minimum specifications for the voltage and temperature ranges: 4.75 V to 5.25 V and $-40\text{ }^{\circ}\text{C} \leq T_A \leq 85\text{ }^{\circ}\text{C}$. Typical parameters are measured at 5 V at 25 °C and are for design guidance only.

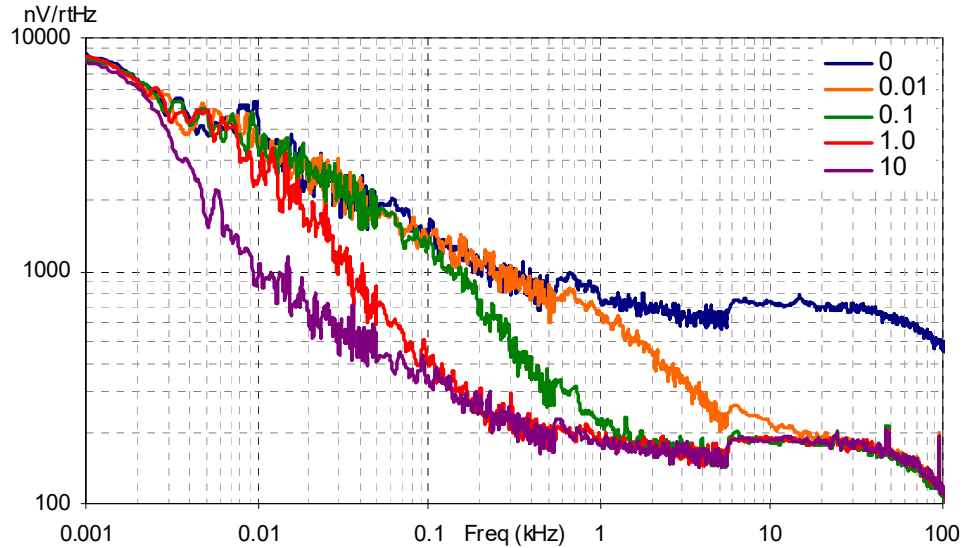
Settling times, slew rates, and gain bandwidth are based on the Analog Continuous Time PSoC block.

Table 23. 5V AC Operational Amplifier Specifications

| Symbol | Description | Min | Typ | Max | Units | Notes |
|------------|-----------------------------------------------------------------------|------|-----|------|--------------------------|-------|
| T_{ROA} | Rising Settling Time to 0.1% for a 1 V Step (10 pF load, Unity Gain) | | | | | |
| | Power = Low, Opamp Bias = Low | – | – | 3.9 | μs | |
| | Power = Medium, Opamp Bias = High | – | – | 0.72 | μs | |
| T_{SOA} | Falling Settling Time to 0.1% for a 1 V Step (10 pF load, Unity Gain) | | | | | |
| | Power = Low, Opamp Bias = Low | – | – | 5.9 | μs | |
| | Power = Medium, Opamp Bias = High | – | – | 0.92 | μs | |
| SR_{ROA} | Rising Slew Rate (20% to 80%) of a 1 V Step (10 pF load, Unity Gain) | | | | | |
| | Power = Low, Opamp Bias = Low | 0.15 | – | – | $\text{V}/\mu\text{s}$ | |
| | Power = High, Opamp Bias = High | 6.5 | – | – | $\text{V}/\mu\text{s}$ | |
| SR_{FOA} | Falling Slew Rate (20% to 80%) of a 1 V Step (10 pF load, Unity Gain) | | | | | |
| | Power = Low, Opamp Bias = Low | 0.01 | – | – | $\text{V}/\mu\text{s}$ | |
| | Power = High, Opamp Bias = High | 4.0 | – | – | $\text{V}/\mu\text{s}$ | |
| BW_{OA} | Gain Bandwidth Product | | | | | |
| | Power = Low, Opamp Bias = Low | 0.75 | – | – | MHz | |
| | Power = High, Opamp Bias = High | 5.4 | – | – | MHz | |
| E_{NOA} | Noise at 1 kHz (Power = Medium, Opamp Bias = High) | – | 100 | – | $\text{nV}/\text{rt-Hz}$ | |

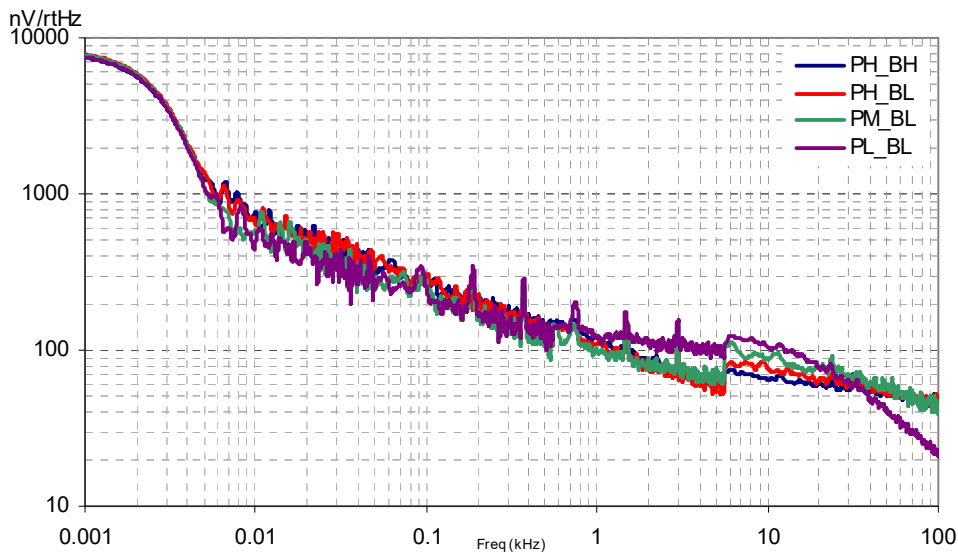
When bypassed by a capacitor on P2[4], the noise of the analog ground signal distributed to each block is reduced by a factor of up to 5 (14 dB). This is at frequencies above the corner frequency defined by the on-chip 8.1k resistance and the external capacitor.

Figure 18. Typical AGND Noise with P2[4] Bypass



At low frequencies, the opamp noise is proportional to 1/f, power independent, and determined by device geometry. At high frequencies, increased power level reduces the noise spectrum level.

Figure 19. Typical Opamp Noise



AC Low Power Comparator Specifications

The following table lists guaranteed maximum and minimum specifications for the voltage and temperature ranges: 4.75 V to 5.25 V and $-40\text{ }^{\circ}\text{C} \leq T_A \leq 85\text{ }^{\circ}\text{C}$. Typical parameters are measured at 5 V at 25 $^{\circ}\text{C}$ and are for design guidance only.

Table 24. AC Low Power Comparator Specifications

| Symbol | Description | Min | Typ | Max | Units | Notes |
|------------|-------------------|-----|-----|-----|---------------|------------------------------------------------------------------------------|
| T_{RLPC} | LPC Response Time | – | – | 50 | μs | $\geq 50\text{ mV}$ overdrive comparator reference set within V_{REFLPC} . |

AC Digital Block Specifications

The following table lists guaranteed maximum and minimum specifications for the voltage and temperature ranges: 4.75 V to 5.25 V and $-40\text{ }^{\circ}\text{C} \leq T_A \leq 85\text{ }^{\circ}\text{C}$. Typical parameters are measured at 5 V at 25 °C and are for design guidance only.

Table 25. AC Digital Block Specifications

| Function | Description | Min | Typ | Max | Unit | Notes |
|-------------------|----------------------------------------------|-------------------|-----|------|------|------------------------------------------------------------------------------------------|
| All functions | Block input clock frequency | | | | | |
| | $V_{DD} \geq 4.75\text{ V}$ | – | – | 49.2 | MHz | |
| Timer | Input clock frequency | | | | | |
| | No capture, $V_{DD} \geq 4.75\text{ V}$ | – | – | 49.2 | MHz | |
| | With capture | – | – | 24.6 | MHz | |
| | Capture pulse width | 50 ^[9] | – | – | ns | |
| Counter | Input clock frequency | | | | | |
| | No enable input, $V_{DD} \geq 4.75\text{ V}$ | – | – | 49.2 | MHz | |
| | With enable input | – | – | 24.6 | MHz | |
| | Enable input pulse width | 50 ^[9] | – | – | ns | |
| Dead Band | Kill pulse width | | | | | |
| | Asynchronous restart mode | 20 | – | – | ns | |
| | Synchronous restart mode | 50 ^[9] | – | – | ns | |
| | Disable mode | 50 ^[9] | – | – | ns | |
| | Input clock frequency | | | | | |
| | $V_{DD} \geq 4.75\text{ V}$ | – | – | 49.2 | MHz | |
| CRCPRS (PRS Mode) | Input clock frequency | | | | | |
| | $V_{DD} \geq 4.75\text{ V}$ | – | – | 49.2 | MHz | |
| CRCPRS (CRC Mode) | Input clock frequency | – | – | 24.6 | MHz | |
| SPIM | Input clock frequency | – | – | 8.2 | MHz | The SPI serial clock (SCLK) frequency is equal to the input clock frequency divided by 2 |
| SPIS | Input clock (SCLK) frequency | – | – | 4.1 | MHz | The input clock is the SPI SCLK in SPIS mode |
| | Width of SS_negated between transmissions | 50 ^[9] | – | – | ns | |
| Transmitter | Input clock frequency | | | | | The baud rate is equal to the input clock frequency divided by 8 |
| | $V_{DD} \geq 4.75\text{ V}$, 2 stop bits | – | – | 49.2 | MHz | |
| | $V_{DD} \geq 4.75\text{ V}$, 1 stop bit | – | – | 24.6 | MHz | |
| Receiver | Input clock frequency | | | | | The baud rate is equal to the input clock frequency divided by 8 |
| | $V_{DD} \geq 4.75\text{ V}$, 2 stop bits | – | – | 49.2 | MHz | |
| | $V_{DD} \geq 4.75\text{ V}$, 1 stop bit | – | – | 24.6 | MHz | |

Note

9. 50 ns minimum input pulse width is based on the input synchronizers running at 24 MHz (42 ns nominal period).

AC Analog Output Buffer Specifications

The following tables list guaranteed maximum and minimum specifications for the voltage and temperature ranges: 4.75 V to 5.25 V and $-40\text{ }^{\circ}\text{C} \leq T_A \leq 85\text{ }^{\circ}\text{C}$. Typical parameters are measured at 5 V at 25 °C and are for design guidance only.

Table 26. 5V AC Analog Output Buffer Specifications

| Symbol | Description | Min | Typ | Max | Units | Notes |
|-------------------|-------------------------------------------------------------------------------------------------|------|-----|-----|-------|-------|
| T _{ROB} | Rising Settling Time to 0.1%, 1 V Step, 100 pF Load Power = Low Power = High | – | – | 4 | μs | |
| | | – | – | 4 | μs | |
| T _{SOB} | Falling Settling Time to 0.1%, 1 V Step, 100 pF Load Power = Low Power = High | – | – | 3.4 | μs | |
| | | – | – | 3.4 | μs | |
| SR _{ROB} | Rising Slew Rate (20% to 80%), 1 V Step, 100pF Load Power = Low Power = High | 0.5 | – | – | V/μs | |
| | | 0.5 | – | – | V/μs | |
| SR _{FOB} | Falling Slew Rate (80% to 20%), 1 V Step, 100 pF Load Power = Low Power = High | 0.55 | – | – | V/μs | |
| | | 0.55 | – | – | V/μs | |
| BW _{OB} | Small Signal Bandwidth, 20mV _{pp} , 3dB BW, 100 pF Load Power = Low Power = High | 0.8 | – | – | MHz | |
| | | 0.8 | – | – | MHz | |
| BW _{OB} | Large Signal Bandwidth, 1V _{pp} , 3dB BW, 100 pF Load Power = Low Power = High | 300 | – | – | kHz | |
| | | 300 | – | – | kHz | |

AC External Clock Specifications

The following table lists guaranteed maximum and minimum specifications for the voltage and temperature ranges: 4.75 V to 5.25 V and $-40\text{ }^{\circ}\text{C} \leq T_A \leq 85\text{ }^{\circ}\text{C}$. Typical parameters are measured at 5 V at 25 °C and are for design guidance only.

Table 27. 5V AC External Clock Specifications

| Symbol | Description | Min | Typ | Max | Units | Notes |
|---------------------|------------------------|-------|-----|------|-------|-------|
| F _{OSCEXT} | Frequency | 0.093 | – | 24.6 | MHz | |
| – | High Period | 20.6 | – | 5300 | ns | |
| – | Low Period | 20.6 | – | – | ns | |
| – | Power Up IMO to Switch | 150 | – | – | μs | |

Note

10.50 ns minimum input pulse width is based on the input synchronizers running at 24 MHz (42 ns nominal period)

AC Programming Specifications

The following table lists guaranteed maximum and minimum specifications for the voltage and temperature ranges: 4.75 V to 5.25 V and $-40\text{ }^{\circ}\text{C} \leq T_A \leq 85\text{ }^{\circ}\text{C}$. Typical parameters are measured at 5 V at $25\text{ }^{\circ}\text{C}$ and are for design guidance only.

Table 28. AC Programming Specifications

| Symbol | Description | Min | Typ | Max | Units | Notes |
|---------------------------|--------------------------------------------|-----|-----|---------------------|-------|------------------------------------------------|
| T _{RSCLK} | Rise time of SCLK | 1 | – | 20 | ns | |
| T _{FSCLK} | Fall time of SCLK | 1 | – | 20 | ns | |
| T _{SSCLK} | Data set up time to falling edge of SCLK | 40 | – | – | ns | |
| T _{HSCLK} | Data hold time from falling edge of SCLK | 40 | – | – | ns | |
| F _{SCLK} | Frequency of SCLK | 0 | – | 8 | MHz | |
| T _{ERASEB} | Flash erase time (Block) | – | 10 | – | ms | |
| T _{WRITE} | Flash block write time | – | 40 | – | ms | |
| T _{DSCLK} | Data out delay from falling edge of SCLK | – | – | 45 | ns | |
| T _{ERASEALL} | Flash erase time (Bulk) | – | 80 | – | ms | Erase all Blocks and protection fields at once |
| T _{PROGRAM_HOT} | Flash Block Erase + Flash Block Write Time | – | – | 100 ^[11] | ms | 0 °C ≤ T _j ≤ 100 °C |
| T _{PROGRAM_COLD} | Flash Block Erase + Flash Block Write Time | – | – | 200 ^[11] | ms | –40 °C ≤ T _j ≤ 0 °C |

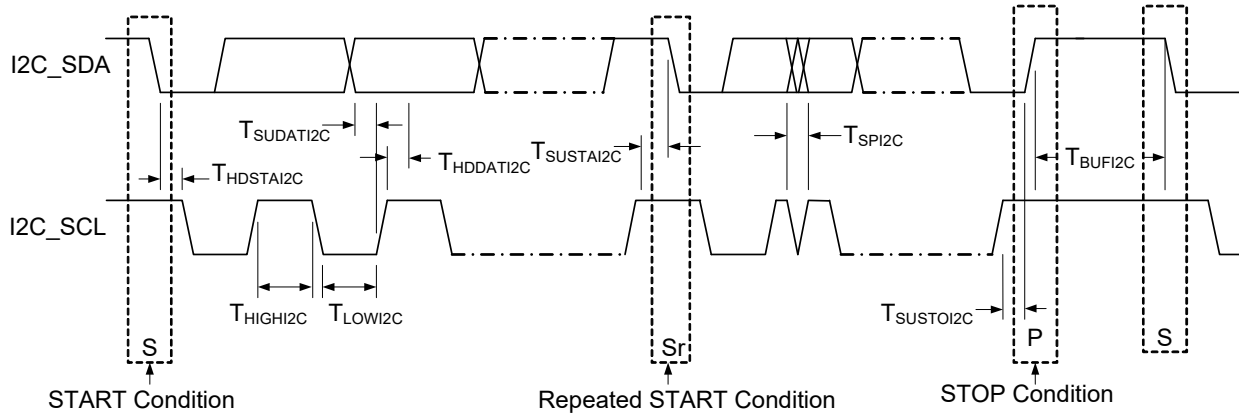
AC I²C Specifications

The following table lists guaranteed maximum and minimum specifications for the voltage and temperature ranges: 4.75 V to 5.25 V and $-40\text{ }^{\circ}\text{C} \leq T_A \leq 85\text{ }^{\circ}\text{C}$. Typical parameters are measured at 5 V at 25 °C and are for design guidance only.

Table 29. AC Characteristics of the I²C SDA and SCL Pins

| Symbol | Description | Standard-Mode | | Fast-Mode | | Units | Notes |
|------------------------|----------------------------------------------------------------------------------------------|---------------|-----|---------------------|-----|-------|-------|
| | | Min | Max | Min | Max | | |
| F _{SCL I2C} | SCL clock frequency | 0 | 100 | 0 | 400 | kHz | |
| T _{HDSTA I2C} | Hold Time (repeated) START Condition. After this period, the first clock pulse is generated. | 4.0 | – | 0.6 | – | μs | |
| T _{LOW I2C} | LOW period of the SCL clock | 4.7 | – | 1.3 | – | μs | |
| T _{HIGH I2C} | HIGH period of the SCL clock | 4.0 | – | 0.6 | – | μs | |
| T _{SUSTA I2C} | Set-up time for a repeated START condition | 4.7 | – | 0.6 | – | μs | |
| T _{HDDAT I2C} | Data hold time | 0 | – | 0 | – | μs | |
| T _{SUDAT I2C} | Data set-up time | 250 | – | 100 ^[12] | – | ns | |
| T _{SUSTO I2C} | Set-up Time for STOP Condition | 4.0 | – | 0.6 | – | μs | |
| T _{BUFI2C} | Bus free time between a STOP and START condition | 4.7 | – | 1.3 | – | μs | |
| T _{SPI2C} | Pulse width of spikes suppressed by the input filter. | – | – | 0 | 50 | ns | |

Figure 20. Definition for Timing for Fast-/Standard-Mode on the I²C Bus Packaging Dimensions



Notes

- For the full industrial range, the user must employ a temperature sensor user module (FlashTemp) and feed the result to the temperature argument before writing. Refer to the Flash APIs Application Note [AN2015](#).
- A Fast-Mode I²C-bus device can be used in a Standard-Mode I²C-bus system, but the requirement $t_{SU, DAT} \geq 250\text{ ns}$. This will automatically be the case if the device does not stretch the LOW period of the SCL signal. If the device does stretch the LOW period of the SCL signal, it must output the next data bit to the SDA line $t_{rmax} + t_{SU, DAT} = 1000 + 250 = 1250\text{ ns}$ (according to the Standard-Mode I²C-bus specification) before the SCL line is released.

Packaging Information

This chapter illustrates the packaging specifications for the CY8CPLC20 PLC device, along with the thermal impedances for each package and the typical package capacitance on crystal pins.

Important Note Emulation tools may require a larger area on the target PCB than the chip's footprint. For a detailed description of the emulation tools' dimensions, refer to the Emulator Pod Dimension drawings at <http://www.cypress.com>.

Packaging Dimensions

Figure 21. 28-Pin (210-Mil) SSOP

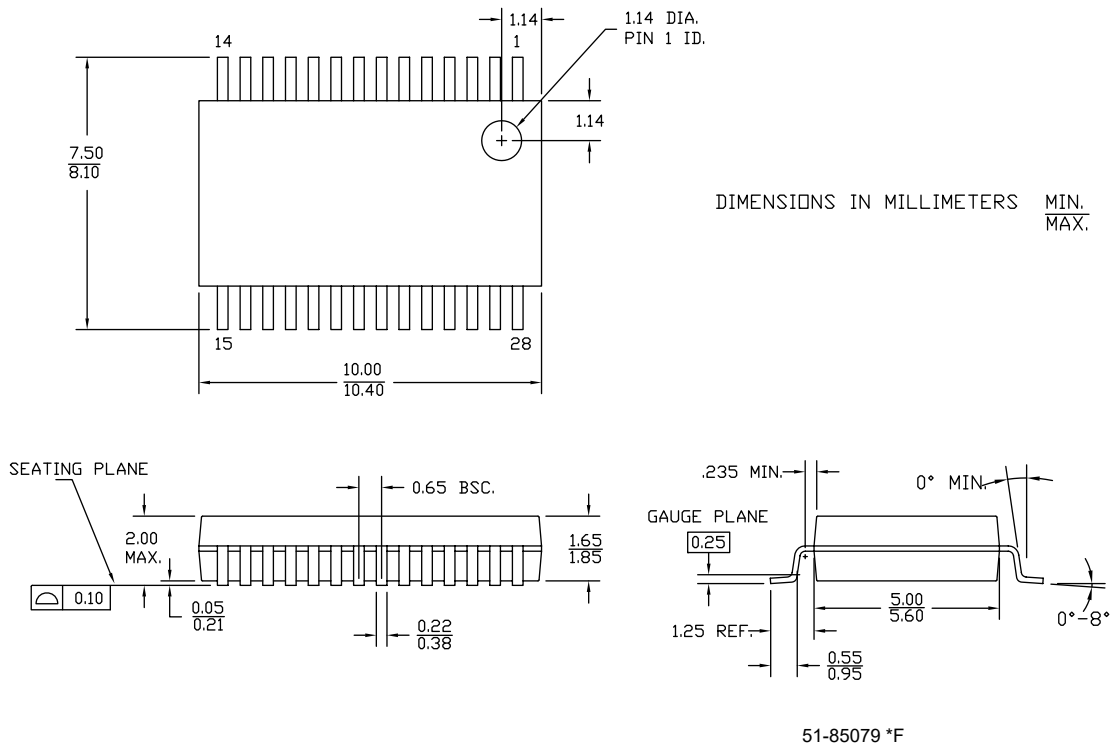
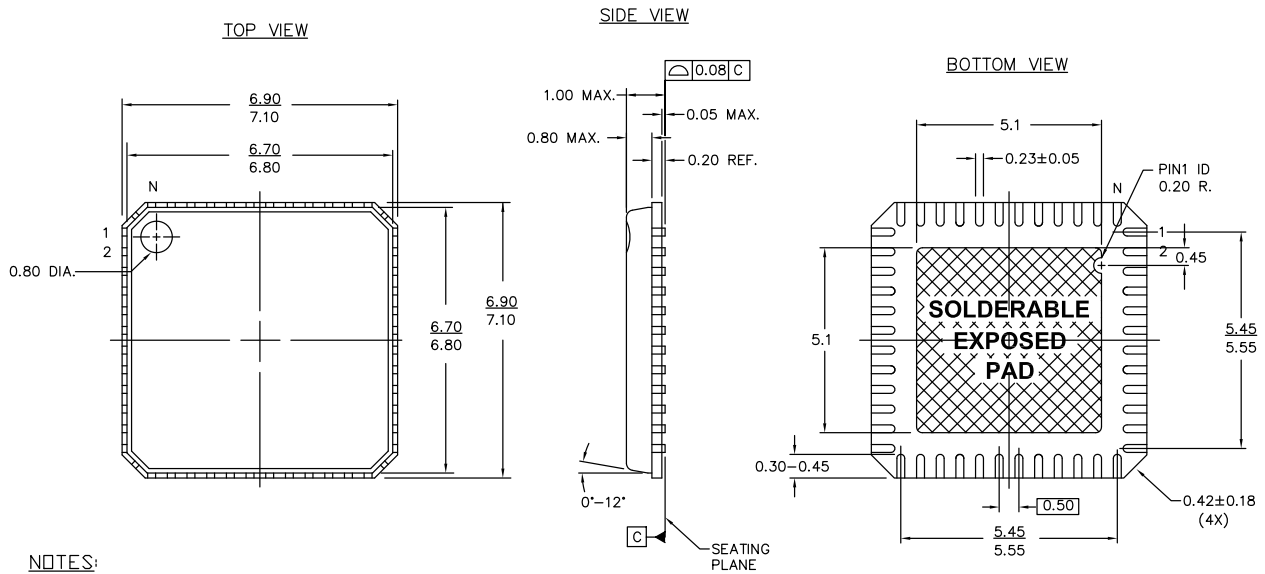



Figure 22. 48-Pin QFN (7 × 7 × 1.0 mm)



NOTES:

1.  HATCH AREA IS SOLDERABLE EXPOSED METAL.
2. REFERENCE JEDEC#: MO-220
3. PACKAGE WEIGHT: 0.13g
4. ALL DIMENSIONS ARE IN MM [MIN/MAX]
5. PACKAGE CODE

| PART # | DESCRIPTION |
|--------|-------------|
| LF48A | STANDARD |
| LY48A | LEAD FREE |

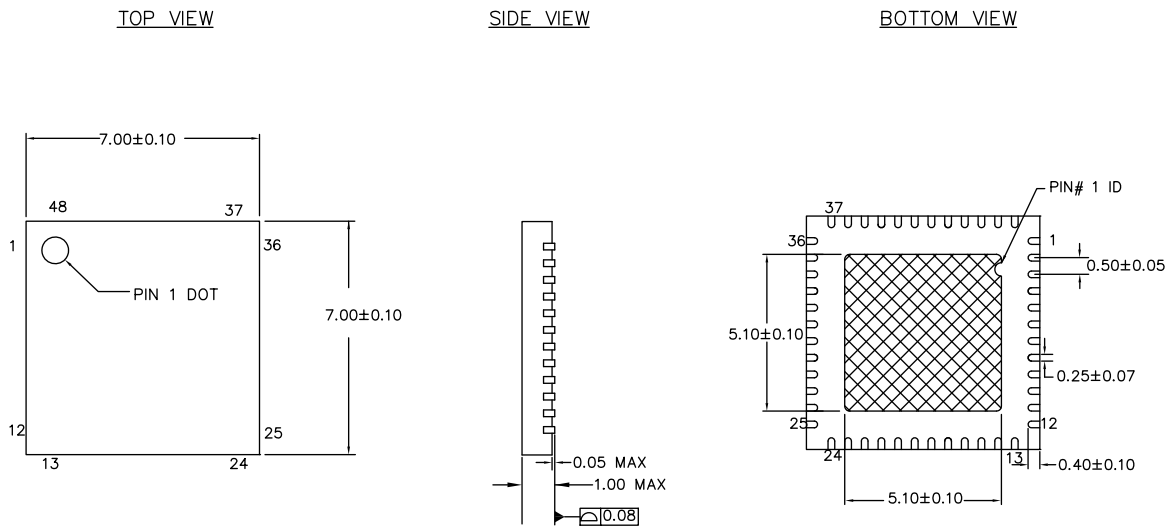
001-12919 *D

Important Notes


For information on the preferred dimensions for mounting QFN packages, see the following application note, *Design Guidelines for Cypress Quad Flat No Extended Lead (QFN) Packaged Devices – AN72845* available at <http://www.cypress.com>.

Pinned vias for thermal conduction are not required for the low-power PSoC devices.

Figure 23. 48-Pin QFN 7 × 7 × 0.90 mm (Sawn Type)

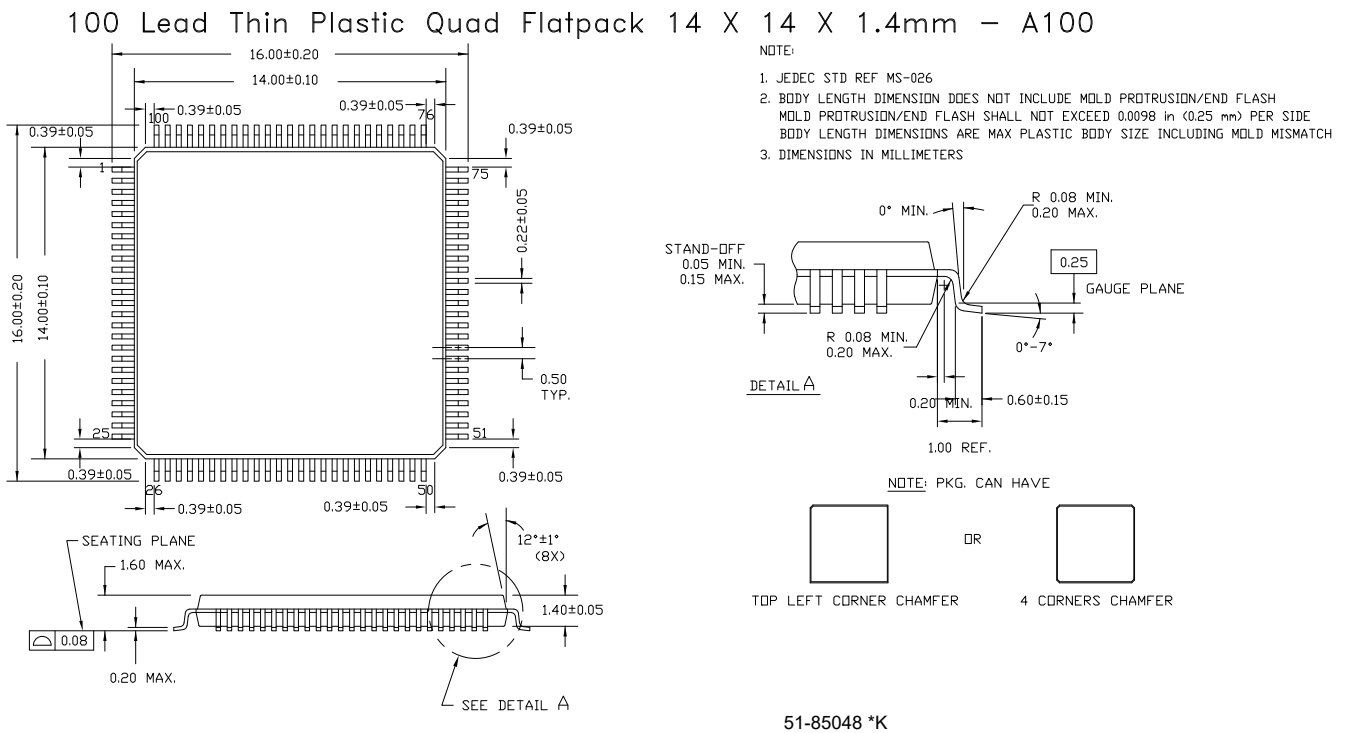


NOTES:

1.  HATCH AREA IS SOLDERABLE EXPOSED METAL.
2. REFERENCE JEDEC#: MO-220
3. PACKAGE WEIGHT: 13 ± 1 mg
4. ALL DIMENSIONS ARE IN MILLIMETERS

001-13191 *H

Figure 24. 100-Pin TQFP



Thermal Impedances

Table 30. Thermal Impedances per Package

| Package | Typical θ_{JA} ^[13] | Typical θ_{JC} |
|------------------------|---------------------------------------|-----------------------|
| 28 SSOP | 59 °C/W | 23 °C/W |
| 48 QFN ^[14] | 15 °C/W | 18 °C/W |
| 100 TQFP | 42 °C/W | 15 °C/W |

Notes

13. $T_J = T_A + \text{POWER} \times \theta_{JA}$

14. To achieve the thermal impedance specified for the QFN package, refer to *Design Guidelines for Cypress Quad Flat No Extended Lead (QFN) Packaged Devices* – AN72845 available at <http://www.cypress.com>.

Capacitance on Crystal Pins

Table 31. Typical Package Capacitance on Crystal Pins

| Package | Package Capacitance |
|----------|---------------------|
| 28 SSOP | 2.8 pF |
| 48 QFN | 1.8 pF |
| 100 TQFP | 3.1 pF |

Solder Reflow Peak Temperature

Following is the minimum solder reflow peak temperature to achieve good solderability.

Table 32. Solder Reflow Peak Temperature

| Package | Maximum Peak Temperature | Time at Maximum Peak Temperature |
|----------|--------------------------|----------------------------------|
| 28 SSOP | 260 °C | 30 s |
| 48 QFN | 260 °C | 30 s |
| 100 TQFP | 260 °C | 30 s |

Development Tool Selection

Software

PSoC Designer™

At the core of the PSoC development software suite is PSoC Designer, used to generate PSoC firmware applications. PSoC Designer is available free of charge at <http://www.cypress.com>. PSoC Designer comes with a free C compiler.

PSoC Programmer

PSoC Programmer is a very flexible programming application. It is used on the bench in development and is also suitable for factory programming. PSoC Programmer works either in a standalone configuration or operates directly from PSoC Designer or PSoC Express. PSoC Programmer software is compatible with both PSoC ICE Cube In-Circuit Emulator and PSoC MiniProg. PSoC programmer is available free of charge at <http://www.cypress.com>.

Development Kits

All development kits are sold at the [Cypress Online Store](#).

CY3274 HV Development Kit

The **CY3274** is for prototyping and development on the CY8CPLC20 with PSoC Designer. This kit supports in-circuit emulation. The software interface enables users to run, halt, and single-step the processor and view the content of specific memory locations. PSoC Designer also supports the advanced emulation features. The hardware comprises of the high voltage coupling circuit for 110VAC-240VAC powerline, which is compliant with the CENELEC/FCC standards. This board also has an onboard switch mode power supply. The kit comprises:

- One High Voltage (110-230VAC) PLC Board. Cypress recommends that a user purchases two CY3274 kits to setup a two-node PLC subsystem for evaluation and development.
- CY8CPLC20-OCD (100 TQFP)
- Software CD
- Supporting Literature
- MiniProg1

CY3250-PLC Pod Kits

The **CY3250-PLC** Pod Kits are essential for development purposes as they provide the users a medium to emulate and debug their designs. The pod kits are available for all the available footprints. The details are:

- CY3250-PLC20NQ – One SSOP Pod (CY8CPLC20-OCD), Two 28-SSOP Feet, One 3250-Flex Cable, One 28-SSOP foot Mask
- CY3250-PLC20QFN – One QFN Pod (CY8CPLC20-OCD), Two 48-QFN Feet, One 3250-Flex Cable
- CY3250-PLC20NQ-POD – Two SSOP Pods (CY8CPLC20-OCD)
- CY3250-PLC20QFN-POD – Two QFN Pods (CY8CPLC20-OCD)

CY3215A-DK Basic Development Kit

The **CY3215A-DK** is for prototyping and development with PSoC Designer. This kit can be used in conjunction with the PLC kits to support in-circuit emulation. The software interface enables users to run, halt, and single step the processor and view the content of specific memory locations. PSoC Designer also supports the advanced emulation features. The kit includes:

- PSoC Designer Software CD
- ICE-Cube In-Circuit Emulator
- ICE Flex-Pod for CY8C29x66 Family
- Cat-5 Adapter
- Mini-Eval Programming Board
- 110 ~ 240V Power Supply, Euro-Plug Adapter
- iMAGEcraft C Compiler
- ISSP Cable
- USB 2.0 Cable and Blue Cat-5 Cable
- Two CY8C29466-24PXI 28-PDIP Chip Samples

Evaluation Kits

The evaluation kits do not have onboard Powerline capability, but can be used with a PLC kit for evaluation purposes. All evaluation tools are sold at the Cypress Online Store.

CY3217-MiniProg1

The [CY3217-MiniProg1](#) kit enables the user to program PSoC devices via the MiniProg1 programming unit. The MiniProg is a small, compact prototyping programmer that connects to the PC via a provided USB 2.0 cable. The kit includes:

- MiniProg Programming Unit
- PSoC Designer Software CD
- Getting Started Guide
- USB 2.0 Cable

CY3210-PSoCEval1

The [CY3210-PSoCEval1](#) kit features an evaluation board and the MiniProg1 programming unit. The evaluation board includes an LCD module, potentiometer, LEDs, and plenty of bread boarding space to meet all of your evaluation needs. The kit includes:

- Evaluation Board with LCD Module
- MiniProg Programming Unit
- 28-Pin CY8C29466-24PXI PDIP PSoC Device Sample (2)
- PSoC Designer Software CD
- Getting Started Guide
- USB 2.0 Cable

CY3214-PSoCEvalUSB

The [CY3214-PSoCEvalUSB](#) evaluation kit features a development board for the CY8C24794-24LFXI PSoC device.

Special features of the board include both USB and capacitive sensing development and debugging support. This evaluation board also includes an LCD module, potentiometer, LEDs, an enunciator, and plenty of bread boarding space to meet all of your evaluation needs. The kit includes:

- PSoCEvalUSB Board
- LCD Module
- MiniProg Programming Unit
- Mini USB Cable
- PSoC Designer and Example Projects CD
- Getting Started Guide
- Wire Pack

Device Programmers

All device programmers are sold at the Cypress Online Store.

CY3217-MiniProg1

The [CY3217-MiniProg1](#) kit enables the user to program PSoC devices via the MiniProg1 programming unit. The MiniProg is a small, compact prototyping programmer that connects to the PC via a provided USB 2.0 cable. The kit includes:

- MiniProg Programming Unit
- PSoC Designer Software CD
- Getting Started Guide
- USB 2.0 Cable

Ordering Information

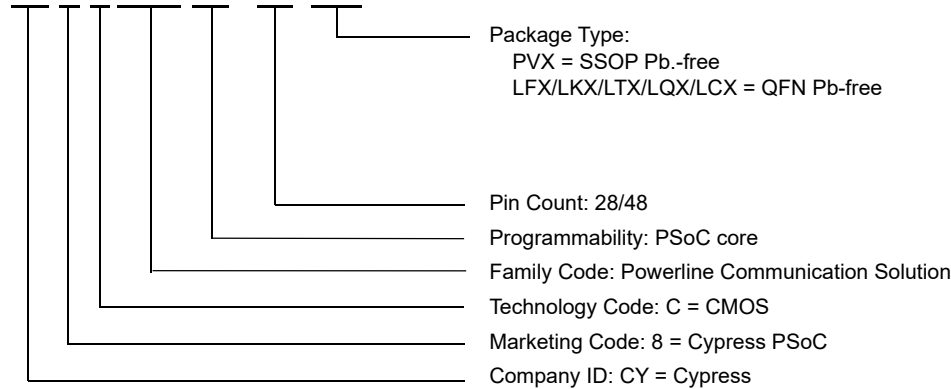
The following table lists the CY8CPLC20 PLC devices' key package features and ordering codes.

Table 33. CY8CPLC20 PLC Device Key Features and Ordering Information

| Package | Ordering Code | Flash (Bytes) | RAM (Bytes) | Temperature Range | Digital PSoC Blocks | Analog PSoC Blocks | Digital I/O Pins | Analog Inputs | Analog Outputs | XRES Pin |
|---------------------------------------|-------------------|---------------|-------------|-------------------|---------------------|--------------------|------------------|---------------|----------------|----------|
| 28-Pin (210 Mil) SSOP | CY8CPLC20-28PVXI | 32 K | 2 K | -40 °C to +85 °C | 16 | 12 | 24 | 12 | 4 | Yes |
| 28-Pin (210 Mil) SSOP (Tape and Reel) | CY8CPLC20-28PVXIT | 32 K | 2 K | -40 °C to +85 °C | 16 | 12 | 24 | 12 | 4 | Yes |
| 48-Pin QFN ^[15] | CY8CPLC20-48LFXI | 32 K | 2 K | -40 °C to +85 °C | 16 | 12 | 44 | 12 | 4 | Yes |
| 48-Pin QFN (Sawn) | CY8CPLC20-48LTXI | 32 K | 2 K | -40 °C to +85 °C | 16 | 12 | 44 | 12 | 4 | Yes |
| 48-Pin QFN (Sawn) (Tape and Reel) | CY8CPLC20-48LTXIT | 32 K | 2 K | -40 °C to +85 °C | 16 | 12 | 44 | 12 | 4 | Yes |
| 100-Pin OCD TQFP ^[16] | CY8CPLC20-OCD | 32 K | 2 K | -40 °C to +85 °C | 16 | 12 | 64 | 12 | 4 | Yes |

Ordering Code Definitions

CY 8 C PLC 20 - PC xxx



Notes

- 15. Not recommended for new designs.
- 16. This part may be used for in-circuit debugging. It is NOT available for production.

Acronyms

Acronyms Used

Table 34 lists the acronyms that are used in this document.

Table 34. Acronyms Used in this Datasheet

| Acronym | Description | Acronym | Description |
|---------|-----------------------------------------------------|-------------------|-----------------------------------------------|
| AC | alternating current | MCU | microcontroller unit |
| ADC | analog-to-digital converter | MIPS | million instructions per second |
| API | application programming interface | OCD | on-chip debug |
| BIU | band-in-use | PCB | printed circuit board |
| CMOS | complementary metal oxide semiconductor | PDIP | plastic dual-in-line package |
| CPU | central processing unit | PGA | programmable gain amplifier |
| CRC | cyclic redundancy check | PLC | powerline communication |
| CSMA | carrier sense multiple access | PLL | phase-locked loop |
| CT | continuous time | PLT | powerline transceiver |
| DAC | digital-to-analog converter | POR | power on reset |
| DC | direct current | PPOR | precision power on reset |
| DTMF | dual-tone multi-frequency | PRS | pseudo-random sequence |
| ECO | external crystal oscillator | PSoC [®] | Programmable System-on-Chip |
| EEPROM | electrically erasable programmable read-only memory | PWM | pulse width modulator |
| FSK | frequency-shift keying | QFN | quad flat no leads |
| GPIO | general-purpose I/O | RTC | real time clock |
| I/O | input/output | SAR | successive approximation |
| ICE | in-circuit emulator | SC | switched capacitor |
| IDE | integrated development environment | SLIMO | slow IMO |
| ILO | internal low speed oscillator | SPITM | serial peripheral interface |
| IMO | internal main oscillator | SRAM | static random access memory |
| IrDA | infrared data association | SROM | supervisory read only memory |
| ISSP | in-system serial programming | SSOP | shrink small-outline package |
| LCD | liquid crystal display | TQFP | thin quad flat pack |
| LED | light-emitting diode | UART | universal asynchronous reciever / transmitter |
| LPC | low power comparator | USB | universal serial bus |
| LPF | low pass filter | WDT | watchdog timer |
| LVD | low-voltage detect | XRES | external reset |
| MAC | multiply-accumulate | | |

Reference Documents

CY8CPLC20, CY8CLED16P01, CY8C29x66, CY8C27x43, CY8C24x94, CY8C24x23, CY8C24x23A, CY8C22x13, CY8C21x34, CY8C21x23, CY7C64215, CY7C603xx, CY8CNP1xx, and CYWUSB6953 PSoC® Programmable System-on-Chip Technical Reference Manual (TRM) (001-14463)

Design Aids – Reading and Writing PSoC® Flash – AN2015 (001-40459)

Datasheet Jitter Specifications For Cypress Timing Products (001-71968)

Using CY8CPLC20 in Powerline Communication (PLC) Applications - AN54416 (001-54416)

Design Guidelines for Cypress Quad Flat No Extended Lead (QFN) Packaged Devices – AN72845 available at <http://www.cypress.com>.

Document Conventions

Units of Measure

Table 35 lists the unit of measures.

Table 35. Units of Measure

| Symbol | Unit of Measure | Symbol | Unit of Measure |
|--------|-----------------|--------|-------------------|
| kB | 1024 bytes | ms | millisecond |
| dB | decibels | mV | millivolts |
| °C | degree Celsius | nA | nanoampere |
| fF | femto farad | ns | nanosecond |
| kHz | kilohertz | nV | nanovolts |
| kΩ | kilohm | ppm | parts per million |
| MHz | megahertz | % | percent |
| μA | microampere | pF | picofarad |
| μF | microfarad | ps | picosecond |
| μs | microsecond | pA | pikoampere |
| μV | microvolts | rt-Hz | root hertz |
| μW | microwatts | V | volts |
| mA | milliampere | W | watt |
| mm | millimeter | | |

Numeric Conventions

Hexadecimal numbers are represented with all letters in uppercase with an appended lowercase 'h' (for example, '14h' or '3Ah'). Hexadecimal numbers may also be represented by a '0x' prefix, the C coding convention. Binary numbers have an appended lowercase 'b' (for example, '01010100b' or '01000011b'). Numbers not indicated by an 'h', 'b', or 0x are decimals.

Glossary

| | |
|-----------------------------------------|------------------------------------------------------------------------------------------------------------------------------------------------------------------------------------------------------------------------------------------------------------|
| active high | <ol style="list-style-type: none"> 1. A logic signal having its asserted state as the logic 1 state. 2. A logic signal having the logic 1 state as the higher voltage of the two states. |
| analog blocks | The basic programmable opamp circuits. These are switched capacitor (SC) and continuous time (CT) blocks. These blocks can be interconnected to provide ADCs, DACs, multi-pole filters, gain stages, and much more. |
| analog-to-digital (ADC) | A device that changes an analog signal to a digital signal of corresponding magnitude. Typically, an ADC converts a voltage to a digital number. The digital-to-analog (DAC) converter performs the reverse operation. |
| Application programming interface (API) | A series of software routines that comprise an interface between a computer application and lower level services and functions (for example, user modules and libraries). APIs serve as building blocks for programmers that create software applications. |

| | |
|-------------------------------|--------------------------------------------------------------------------------------------------------------------------------------------------------------------------------------------------------------------------------------------------------------------------------------------------------------------------------------------------------------------------------------------------------------------------------------------------------------------------------------------------------------------------------|
| asynchronous | A signal whose data is acknowledged or acted upon immediately, irrespective of any clock signal. |
| bandgap reference | A stable voltage reference design that matches the positive temperature coefficient of V_T with the negative temperature coefficient of V_{BE} , to produce a zero temperature coefficient (ideally) reference. |
| bandwidth | <ol style="list-style-type: none"> 1. The frequency range of a message or information processing system measured in hertz. 2. The width of the spectral region over which an amplifier (or absorber) has substantial gain (or loss); it is sometimes represented more specifically as, for example, full width at half maximum. |
| bias | <ol style="list-style-type: none"> 1. A systematic deviation of a value from a reference value. 2. The amount by which the average of a set of values departs from a reference value. 3. The electrical, mechanical, magnetic, or other force (field) applied to a device to establish a reference level to operate the device. |
| block | <ol style="list-style-type: none"> 1. A functional unit that performs a single function, such as an oscillator. 2. A functional unit that may be configured to perform one of several functions, such as a digital PSoC block or an analog PSoC block. |
| buffer | <ol style="list-style-type: none"> 1. A storage area for data that is used to compensate for a speed difference, when transferring data from one device to another. Usually refers to an area reserved for IO operations, into which data is read, or from which data is written. 2. A portion of memory set aside to store data, often before it is sent to an external device or as it is received from an external device. 3. An amplifier used to lower the output impedance of a system. |
| bus | <ol style="list-style-type: none"> 1. A named connection of nets. Bundling nets together in a bus makes it easier to route nets with similar routing patterns. 2. A set of signals performing a common function and carrying similar data. Typically represented using vector notation; for example, address[7:0]. 3. One or more conductors that serve as a common connection for a group of related devices. |
| clock | The device that generates a periodic signal with a fixed frequency and duty cycle. A clock is sometimes used to synchronize different logic blocks. |
| comparator | An electronic circuit that produces an output voltage or current whenever two input levels simultaneously satisfy predetermined amplitude requirements. |
| compiler | A program that translates a high level language, such as C, into machine language. |
| configuration space | In PSoC devices, the register space accessed when the XIO bit, in the CPU_F register, is set to '1'. |
| crystal oscillator | An oscillator in which the frequency is controlled by a piezoelectric crystal. Typically a piezoelectric crystal is less sensitive to ambient temperature than other circuit components. |
| cyclic redundancy check (CRC) | A calculation used to detect errors in data communications, typically performed using a linear feedback shift register. Similar calculations may be used for a variety of other purposes such as data compression. |
| data bus | A bi-directional set of signals used by a computer to convey information from a memory location to the central processing unit and vice versa. More generally, a set of signals used to convey data between digital functions. |
| debugger | A hardware and software system that allows you to analyze the operation of the system under development. A debugger usually allows the developer to step through the firmware one step at a time, set break points, and analyze memory. |

| | |
|---------------------------------|----------------------------------------------------------------------------------------------------------------------------------------------------------------------------------------------------------------------------------------------------------------------------------------------------------------------------------------------------------------------------------------------------------------------------------------------------------------------------------------------------------------------------------------------------------------------------------------------------|
| dead band | A period of time when neither of two or more signals are in their active state or in transition. |
| digital blocks | The 8-bit logic blocks that can act as a counter, timer, serial receiver, serial transmitter, CRC generator, pseudo-random number generator, or SPI. |
| digital-to-analog (DAC) | A device that changes a digital signal to an analog signal of corresponding magnitude. The analog-to-digital (ADC) converter performs the reverse operation. |
| duty cycle | The relationship of a clock period high time to its low time, expressed as a percent. |
| emulator | Duplicates (provides an emulation of) the functions of one system with a different system, so that the second system appears to behave like the first system. |
| External Reset (XRES) | An active high signal that is driven into the PSoC device. It causes all operation of the CPU and blocks to stop and return to a pre-defined state. |
| Flash | An electrically programmable and erasable, non-volatile technology that provides you the programmability and data storage of EPROMs, plus in-system erasability. Non-volatile means that the data is retained when power is OFF. |
| Flash block | The smallest amount of Flash ROM space that may be programmed at one time and the smallest amount of Flash space that may be protected. A Flash block holds 64 bytes. |
| frequency | The number of cycles or events per unit of time, for a periodic function. |
| gain | The ratio of output current, voltage, or power to input current, voltage, or power, respectively. Gain is usually expressed in dB. |
| I ² C | A two-wire serial computer bus by Philips Semiconductors (now NXP Semiconductors). I ² C is an Inter-Integrated Circuit. It is used to connect low-speed peripherals in an embedded system. The original system was created in the early 1980s as a battery control interface, but it was later used as a simple internal bus system for building control electronics. I ² C uses only two bi-directional pins, clock and data, both running at +5V and pulled high with resistors. The bus operates at 100 kbits/second in standard mode and 400 kbits/second in fast mode. |
| ICE | The in-circuit emulator that allows you to test the project in a hardware environment, while viewing the debugging device activity in a software environment (PSoC Designer). |
| input/output (I/O) | A device that introduces data into or extracts data from a system. |
| interrupt | A suspension of a process, such as the execution of a computer program, caused by an event external to that process, and performed in such a way that the process can be resumed. |
| interrupt service routine (ISR) | A block of code that normal code execution is diverted to when the M8C receives a hardware interrupt. Many interrupt sources may each exist with its own priority and individual ISR code block. Each ISR code block ends with the RETI instruction, returning the device to the point in the program where it left normal program execution. |
| jitter | <ol style="list-style-type: none"> 1. A misplacement of the timing of a transition from its ideal position. A typical form of corruption that occurs on serial data streams. 2. The abrupt and unwanted variations of one or more signal characteristics, such as the interval between successive pulses, the amplitude of successive cycles, or the frequency or phase of successive cycles. |
| low-voltage detect (LVD) | A circuit that senses V _{DD} and provides an interrupt to the system when V _{DD} falls lower than a selected threshold. |
| M8C | An 8-bit Harvard-architecture microprocessor. The microprocessor coordinates all activity inside a PSoC by interfacing to the Flash, SRAM, and register space. |

| | |
|-----------------------------|---------------------------------------------------------------------------------------------------------------------------------------------------------------------------------------------------------------------------------------------------------------------------------------------------------------------------------------------------------------------------------------------------------------------------------------------------------------------------------------------------------------------|
| master device | A device that controls the timing for data exchanges between two devices. Or when devices are cascaded in width, the master device is the one that controls the timing for data exchanges between the cascaded devices and an external interface. The controlled device is called the slave device . |
| microcontroller | An integrated circuit chip that is designed primarily for control systems and products. In addition to a CPU, a microcontroller typically includes memory, timing circuits, and IO circuitry. The reason for this is to permit the realization of a controller with a minimal quantity of chips, thus achieving maximal possible miniaturization. This in turn, reduces the volume and the cost of the controller. The microcontroller is normally not used for general-purpose computation as is a microprocessor. |
| mixed-signal | The reference to a circuit containing both analog and digital techniques and components. |
| modulator | A device that imposes a signal on a carrier. |
| noise | <ol style="list-style-type: none"> 1. A disturbance that affects a signal and that may distort the information carried by the signal. 2. The random variations of one or more characteristics of any entity such as voltage, current, or data. |
| oscillator | A circuit that may be crystal controlled and is used to generate a clock frequency. |
| parity | A technique for testing transmitting data. Typically, a binary digit is added to the data to make the sum of all the digits of the binary data either always even (even parity) or always odd (odd parity). |
| Phase-locked loop (PLL) | An electronic circuit that controls an oscillator so that it maintains a constant phase angle relative to a reference signal. |
| pinouts | The pin number assignment: the relation between the logical inputs and outputs of the PSoC device and their physical counterparts in the printed circuit board (PCB) package. Pinouts involve pin numbers as a link between schematic and PCB design (both being computer generated files) and may also involve pin names. |
| port | A group of pins, usually eight. |
| Power on reset (POR) | A circuit that forces the PSoC device to reset when the voltage is lower than a pre-set level. This is a type of hardware reset. |
| PSoC® | Cypress Semiconductor's PSoC® is a registered trademark and Programmable System-on-Chip™ is a trademark of Cypress. |
| PSoC Designer™ | The software for Cypress' Programmable System-on-Chip technology. |
| pulse width modulator (PWM) | An output in the form of duty cycle which varies as a function of the applied measurand |
| RAM | An acronym for random access memory. A data-storage device from which data can be read out and new data can be written in. |
| register | A storage device with a specific capacity, such as a bit or byte. |
| reset | A means of bringing a system back to a know state. See hardware reset and software reset. |
| ROM | An acronym for read only memory. A data-storage device from which data can be read out, but new data cannot be written in. |
| serial | <ol style="list-style-type: none"> 1. Pertaining to a process in which all events occur one after the other. 2. Pertaining to the sequential or consecutive occurrence of two or more related activities in a single device or channel. |

| | |
|----------------|-----------------------------------------------------------------------------------------------------------------------------------------------------------------------------------------------------------------------------------------------------------------------------------------------------------------------------------------------------|
| settling time | The time it takes for an output signal or value to stabilize after the input has changed from one value to another. |
| shift register | A memory storage device that sequentially shifts a word either left or right to output a stream of serial data. |
| slave device | A device that allows another device to control the timing for data exchanges between two devices. Or when devices are cascaded in width, the slave device is the one that allows another device to control the timing of data exchanges between the cascaded devices and an external interface. The controlling device is called the master device. |
| SRAM | An acronym for static random access memory. A memory device where you can store and retrieve data at a high rate of speed. The term static is used because, after a value is loaded into an SRAM cell, it remains unchanged until it is explicitly altered or until power is removed from the device. |
| SROM | An acronym for supervisory read only memory. The SROM holds code that is used to boot the device, calibrate circuitry, and perform Flash operations. The functions of the SROM may be accessed in normal user code, operating from Flash. |
| stop bit | A signal following a character or block that prepares the receiving device to receive the next character or block. |
| synchronous | <ol style="list-style-type: none">1. A signal whose data is not acknowledged or acted upon until the next active edge of a clock signal.2. A system whose operation is synchronized by a clock signal. |
| tri-state | A function whose output can adopt three states: 0, 1, and Z (high-impedance). The function does not drive any value in the Z state and, in many respects, may be considered to be disconnected from the rest of the circuit, allowing another output to drive the same net. |
| UART | A UART or universal asynchronous receiver-transmitter translates between parallel bits of data and serial bits. |
| user modules | Pre-build, pre-tested hardware/firmware peripheral functions that take care of managing and configuring the lower level Analog and Digital PSoC Blocks. User Modules also provide high level API (Application Programming Interface) for the peripheral function. |
| user space | The bank 0 space of the register map. The registers in this bank are more likely to be modified during normal program execution and not just during initialization. Registers in bank 1 are most likely to be modified only during the initialization phase of the program. |
| V_{DD} | A name for a power net meaning “voltage drain.” The most positive power supply signal. Usually 5 V or 3.3 V. |
| V_{SS} | A name for a power net meaning “voltage source.” The most negative power supply signal. |
| watchdog timer | A timer that must be serviced periodically. If it is not serviced, the CPU resets after a specified period of time. |

Document History Page

| Document Title: CY8CPLC20 Datasheet, Powerline Communication Solution | | | | |
|-----------------------------------------------------------------------|---------|-----------------|-----------------|--------------------------------------------------------------------------------------------------------------------------------------------------------------------------------------------------------------------------------------------------------------------------------------------------------------------------------------------------------------------------------------------------------------------------------------------------------------------------------------------------------------------------------------------------------------------------------------------------------------------------------------------------------------------------------------------------------------------------------------------------------------------------------------------------------------------------------------------------------------------------------------------------------------|
| Document Number: 001-48325 | | | | |
| Revision | ECN | Orig. of Change | Submission Date | Description of Change |
| ** | 2571957 | GHH / PYRS | 09/24/08 | New Datasheet |
| *A | 2731927 | GHH / HMT / DSG | 07/06/09 | Added - Configurable baud rates and FSK frequencies - PLC Pod Kits for development purposes Modified - Pin information for all packages |
| *B | 2748537 | GHH | See ECN | Added Sections on 'Getting Started' and 'Document Conventions' Modified the following Electrical Parameters - FIMO6 Min: Changed from 5.75 MHz to 5.5 MHz - FIMO6 Max: Changed from 6.35 MHz to 6.5 MHz - SPIS (Maximum input clock frequency): Changed from 4.1 ns to 4.1 MHz - TWRITE (Flash Block Write Time): Changed from 40 ms to 10 ms |
| *C | 2752799 | GHH | 08/17/09 | Posting to external web. |
| *D | 2759000 | GHH | 09/02/2009 | Fixed typos in the data sheet |
| *E | 2778970 | FRE | 10/05/2009 | Added a table for DC POR and LVD Specifications Updated DC GPIO, AC Chip-Level, and AC Programming Specifications as follows: - Modified FIMO6, TWRITE, and Power Up IMO to Switch specifications - Added IOH, IOL, DCILO, F32K_U, TPOWERUP, TERASEALL, and SRPOWER_UP specifications Added 48-Pin QFN (Sawn) package diagram and CY8CPLC20-48LTXI and CY8CPLC20-48LTXIT part details in the Ordering Information table Updated section 4 and Tables 9-1, 9-2, and 9-3 to state the requirement to use the external crystal for PLC protocol timing Table 9-1 and Figure 9-1: Changed pins 9 and 25 from NC to RSVD Table 9-2 and Figure 9-2: Changed pins 7 and 39 from NC to RSVD Table 9-3 and Figure 9-3: Changed pins 14 and 77 from NC to RSVD Tables 9-1, 9-2, 9-3: Added explanation to Connect a 0.1 uF capacitor between XTAL_ Stability and VSS. Fixed minor typos. |
| *F | 2846686 | FRE | 01/12/2010 | Add Table of Contents. Update copyright and Sales URLs. Update 28-Pin SSOP, 48-Pin QFN, 48-Pin QFN (Sawn Type) package diagrams. Add footnote in Ordering Information table of CY8CPLC20-48LFXI stating, "Not recommended for new designs." Add capacitor description to AGND pin. |
| *G | 2903114 | NJF | 04/01/2010 | Updated Cypress website links Added T _{BAKETEMP} and T _{BAKETIME} parameters Updated package diagrams |
| *H | 2938300 | CGX | 05/27/10 | Minor ECN to post to external website |

Document History Page (continued)

| Document Title: CY8CPLC20 Datasheet, Powerline Communication Solution Document Number: 001-48325 | | | | |
|-----------------------------------------------------------------------------------------------------|---------|-----------------|-----------------|--------------------------------------------------------------------------------------------------------------------------------------------------------------------------------------------------------------------------------------------------------------------------------------------------------------------------------------------------------------------------------------------------------------------------------------------------------------------------------------------------------------------------------------------------------------------------------------------------------------------------------------------------------------------------------------------------------------------------------------------------------------------------------------------------------------------------------------------------------------------------------------------------------------------------------------------------------------------------------|
| Revision | ECN | Orig. of Change | Submission Date | Description of Change |
| *I | 3114960 | NJF | 12/17/10 | Added DC I ² C Specifications table. Added F _{32K_U} max limit. Added T _{jitter} IMO specification, removed existing jitter specifications. Updated DC Analog reference tables and DC operational amplifier tables. Updated Units of Measure, Acronyms, Glossary, and References sections. Updated solder reflow specifications. No specific changes were made to AC Digital Block Specifications table and I ² C Timing Diagram. They were updated for clearer understanding. Updated Figure 9-5 since the labelling for y-axis was incorrect. Removed footnote reference for “Solder Reflow Peak Temperature” table. Added the typical θ_{JC} parameter to the Thermal Impedances table. Table 7-1 and Figure 7-1: Changed pin 25 from RSVD to P0[2]. Table 7-2 and Figure 7-2: Changed pin 39 from RSVD to P0[2]. Table 7-3 and Figure 7-3: Changed pin 77 from RSVD to P0[2]. |
| *J | 3284994 | SHOB | 06/29/11 | Updated Getting Started, Development Tools , and Designing with PSoC Designer . |
| *K | 3707996 | ADIY | 08/16/2012 | Removed references to obsolete documents (001-14503 and 001-55403) and added references to documents (001-71968 and 001-54416). |
| *L | 4481707 | ASRI | 09/11/2014 | Replaced references of “Application Notes for Surface Mount Assembly of Amkor’s MicroLeadFrame (MLF) Packages” with “Design Guidelines for Cypress Quad Flat No Extended Lead (QFN) Packaged Devices – AN72845” in all instances across the document. Added More Information . Added PSoC Designer . Removed “Getting Started”. Updated Electrical Specifications : Updated DC Electrical Characteristics : Added Low Power Operation . Updated Packaging Information : Updated Packaging Dimensions : spec 001-12919 – Changed revision from *C to *D. spec 51-85048 – Changed revision from *G to *I. Updated Development Tool Selection : Updated Device Programmers : Removed “CY3207 ISSP In-System Serial Programmer (ISSP)”. Updated to new template. |
| *M | 4894194 | SREH | 08/24/2015 | Updated Document Title to read as “CY8CPLC20 Datasheet, Powerline Communication Solution”. Updated Packaging Information : Updated Packaging Dimensions : spec 51-85079 – Changed revision from *E to *F. spec 001-13191 – Changed revision from *G to *H. Updated Development Tool Selection : Updated Development Kits : Removed “CY3275 LV Development Kit”. Removed “CY3215-DK Basic Development Kit”. Added CY3215A-DK Basic Development Kit . Updated Evaluation Kits : Removed “CY3210-MiniProg1”. Added CY3217-MiniProg1 . Updated Device Programmers : Removed “CY3216 Modular Programmer”. Added CY3217-MiniProg1 . Updated to new template. Completing Sunset Review. |
| *N | 5754989 | SREH | 05/31/2017 | Updated Packaging Information Changed Spec 51-85048 *I to *J. Updated Cypress Logo and Copyright. |

Document History Page *(continued)*

| Document Title: CY8CPLC20 Datasheet, Powerline Communication Solution | | | | |
|-----------------------------------------------------------------------|---------|-----------------|-----------------|---------------------------------------------------------------------------------------------------------------|
| Document Number: 001-48325 | | | | |
| Revision | ECN | Orig. of Change | Submission Date | Description of Change |
| *O | 6332760 | SREH | 10/04/2018 | Updated Packaging Information Changed Spec 51-85048 *J to *K. Completing Sunset Review. |

Sales, Solutions, and Legal Information

Worldwide Sales and Design Support

Cypress maintains a worldwide network of offices, solution centers, manufacturer's representatives, and distributors. To find the office closest to you, visit us at [Cypress Locations](#).

Products

| | |
|-------------------------------------------------------|--------------------------------------------------------------------|
| Arm [®] Cortex [®] Microcontrollers | cypress.com/arm |
| Automotive | cypress.com/automotive |
| Clocks & Buffers | cypress.com/clocks |
| Interface | cypress.com/interface |
| Internet of Things | cypress.com/iot |
| Memory | cypress.com/memory |
| Microcontrollers | cypress.com/mcu |
| PSoC | cypress.com/psoc |
| Power Management ICs | cypress.com/pmic |
| Touch Sensing | cypress.com/touch |
| USB Controllers | cypress.com/usb |
| Wireless Connectivity | cypress.com/wireless |

PSoC[®] Solutions

[PSoC 1](#) | [PSoC 3](#) | [PSoC 4](#) | [PSoC 5LP](#) | [PSoC 6 MCU](#)

Cypress Developer Community

[Community](#) | [Projects](#) | [Video](#) | [Blogs](#) | [Training](#) | [Components](#)

Technical Support

cypress.com/support

© Cypress Semiconductor Corporation, 2008-2018. This document is the property of Cypress Semiconductor Corporation and its subsidiaries, including Spansion LLC ("Cypress"). This document, including any software or firmware included or referenced in this document ("Software"), is owned by Cypress under the intellectual property laws and treaties of the United States and other countries worldwide. Cypress reserves all rights under such laws and treaties and does not, except as specifically stated in this paragraph, grant any license under its patents, copyrights, trademarks, or other intellectual property rights. If the Software is not accompanied by a license agreement and you do not otherwise have a written agreement with Cypress governing the use of the Software, then Cypress hereby grants you a personal, non-exclusive, nontransferable license (without the right to sublicense) (1) under its copyright rights in the Software (a) for Software provided in source code form, to modify and reproduce the Software solely for use with Cypress hardware products, only internally within your organization, and (b) to distribute the Software in binary code form externally to end users (either directly or indirectly through resellers and distributors), solely for use on Cypress hardware product units, and (2) under those claims of Cypress's patents that are infringed by the Software (as provided by Cypress, unmodified) to make, use, distribute, and import the Software solely for use with Cypress hardware products. Any other use, reproduction, modification, translation, or compilation of the Software is prohibited.

TO THE EXTENT PERMITTED BY APPLICABLE LAW, CYPRESS MAKES NO WARRANTY OF ANY KIND, EXPRESS OR IMPLIED, WITH REGARD TO THIS DOCUMENT OR ANY SOFTWARE OR ACCOMPANYING HARDWARE, INCLUDING, BUT NOT LIMITED TO, THE IMPLIED WARRANTIES OF MERCHANTABILITY AND FITNESS FOR A PARTICULAR PURPOSE. No computing device can be absolutely secure. Therefore, despite security measures implemented in Cypress hardware or software products, Cypress does not assume any liability arising out of any security breach, such as unauthorized access to or use of a Cypress product. In addition, the products described in these materials may contain design defects or errors known as errata which may cause the product to deviate from published specifications. To the extent permitted by applicable law, Cypress reserves the right to make changes to this document without further notice. Cypress does not assume any liability arising out of the application or use of any product or circuit described in this document. Any information provided in this document, including any sample design information or programming code, is provided only for reference purposes. It is the responsibility of the user of this document to properly design, program, and test the functionality and safety of any application made of this information and any resulting product. Cypress products are not designed, intended, or authorized for use as critical components in systems designed or intended for the operation of weapons, weapons systems, nuclear installations, life-support devices or systems, other medical devices or systems (including resuscitation equipment and surgical implants), pollution control or hazardous substances management, or other uses where the failure of the device or system could cause personal injury, death, or property damage ("Unintended Uses"). A critical component is any component of a device or system whose failure to perform can be reasonably expected to cause the failure of the device or system, or to affect its safety or effectiveness. Cypress is not liable, in whole or in part, and you shall and hereby do release Cypress from any claim, damage, or other liability arising from or related to all Unintended Uses of Cypress products. You shall indemnify and hold Cypress harmless from and against all claims, costs, damages, and other liabilities, including claims for personal injury or death, arising from or related to any Unintended Uses of Cypress products.

Cypress, the Cypress logo, Spansion, the Spansion logo, and combinations thereof, WICED, PSoC, CapSense, EZ-USB, F-RAM, and Traveo are trademarks or registered trademarks of Cypress in the United States and other countries. For a more complete list of Cypress trademarks, visit cypress.com. Other names and brands may be claimed as property of their respective owners.