

## BDX63, A, B, C

# NPN SILICON DARLINGTONS

General purpose darlingtonts designed for power amplifier and switching applications.

### ABSOLUTE MAXIMUM RATINGS

Symbol	Ratings		Value	Unit
$V_{CEO}$	<i>Collector-Emitter Voltage</i>		BDX63 60	V
			BDX63A 80	
			BDX63B 100	
			BDX63C 120	
$V_{CEV}$	<i>Collector-Emitter Voltage</i>	$V_{BE} = -1.5 \text{ V}$	BDX63 80	V
			BDX63A 100	
			BDX63B 120	
			BDX63C 140	
$V_{EBO}$	<i>Emitter-Base Voltage</i>		BDX63 BDX63A BDX63B BDX63C 5.0	V
$I_C$	<i>Collector Current</i>	$I_{C(RMS)}$	BDX63 BDX63A BDX63B BDX63C 8	A
		$I_{CM}$	BDX63 BDX63A BDX63B BDX63C 12	
$I_B$	<i>Base Current</i>		BDX63 BDX63A BDX63B BDX63C 0.15	A
$P_T$	<i>Power Dissipation</i>	@ $T_C = 25^\circ$	BDX63 BDX63A BDX63B BDX63C 90	Watts W/°C
$T_J$	<i>Junction Temperature</i>		BDX63 BDX63A BDX63B BDX63C -55 to +200	°C
$T_S$	<i>Storage Temperature</i>			

## BDX63, A, B, C

Symbol	Ratings	Value	Unit
$R_{thJ-C}$	Thermal Resistance, Junction to Case	1.94	°C/W

### ELECTRICAL CHARACTERISTICS

TC=25°C unless otherwise noted

Symbol	Ratings	Test Condition(s)	Min	Typ	Mx	Unit	
$V_{CEO(SUS)}$	Collector-Emitter Breakdown Voltage (*)	$I_C=0.1\text{ A}$ , $I_B=0$ , $L=25\text{mH}$	BDX63	60	-	-	V
			BDX63A	80	-	-	
			BDX63B	100	-	-	
			BDX63C	120	-	-	

$I_{CEO}$	Collector Cutoff Current	$V_{CE}=30\text{ V}$	BDX63	-	-	0.5	mA
		$V_{CE}=40\text{ V}$	BDX63A	-	-		
		$V_{CE}=50\text{ V}$	BDX63B	-	-		
		$V_{CE}=60\text{ V}$	BDX63C	-	-		
$I_{EBO}$	Emitter Cutoff Current	$V_{BE}=5\text{ V}$	BDX63	-	-	5.0	mA
			BDX63A	-	-		
			BDX63B	-	-		
			BDX63C	-	-		
$I_{CBO}$	Collector-Base Cutoff Current	$V_{CBO}=60\text{ V}$	BDX63	-	-	0.2	-
		$V_{CBO}=400\text{ V}$ $T_{CASE}=200^\circ\text{C}$		-	-	2	
		$V_{CBO}=80\text{ V}$	BDX63A	-	-	0.2	
		$V_{CBO}=50\text{ V}$ $T_{CASE}=200^\circ\text{C}$		-	-	2	
		$V_{CBO}=100\text{ V}$	BDX63B	-	-	0.2	
		$V_{CBO}=60\text{ V}$ $T_{CASE}=200^\circ\text{C}$		-	-	2	
		$V_{CBO}=120\text{ V}$	BDX63C	-	-	0.2	
		$V_{CBO}=70\text{ V}$ $T_{CASE}=200^\circ$		-	-	2	

$V_{CE(SAT)}$	Collector-Emitter saturation Voltage (*)	$I_C=3.0\text{ A}$ , $I_B=12\text{ mA}$	BDX63 BDX63A BDX63B BDX63C	-	-	2	V
$V_F$	Forward Voltage (pulse method)	$I_F=3\text{ A}$	BDX63 BDX63A BDX63B BDX63C	-	1.2	-	V

## BDX63, A, B, C

$V_{BE}$	Base-Emitter Voltage (*)	$I_C=3.0\text{ A}, V_{CE}=3\text{ V}$	BDX63 BDX63A BDX63B BDX63C	-	-	2.5	V
$F_{hfe}$	Cut-off frequency	$V_{CE}=3\text{ V}, I_C=3\text{ A}$	BDX63 BDX63A BDX63B BDX63C	-	100	-	kHz
$f_T$	Transition Frequency	$V_{CE}=3\text{ V}, I_C=3\text{ A}, f=1\text{ MHz}$	BDX63 BDX63A BDX63B BDX63C	-	7	-	MHz
$h_{FE}$	D.C. current gain (*)	$V_{CE}=3\text{ V}, I_C=0.5\text{ A}$	BDX63 BDX63A BDX63B BDX63C	-	2500	-	-
		$V_{CE}=3\text{ V}, I_C=3\text{ A}$	BDX63 BDX63A BDX63B BDX63C	1000	-	-	-
		$V_{CE}=3\text{ V}, I_C=8\text{ A}$	BDX63 BDX63A BDX63B BDX63C	-	2600	-	-

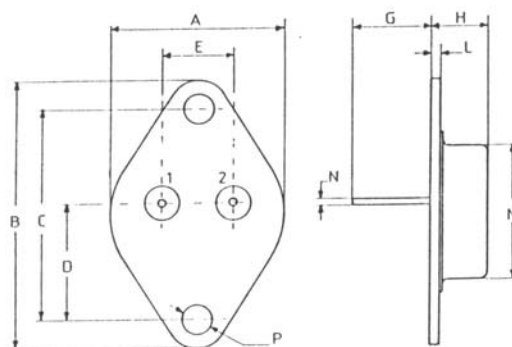
(\*) Pulse Width  $\approx 300\ \mu\text{s}$ , Duty Cycle  $\leq 2.0\%$   
 (1) collector-Emitter voltage limited et  $V_{CEci} = V$

an auxiliary circuit

rated by

### MECHANICAL DATA CASE TO-3

DIMENSIONS		
	mm	inches
A	25,51	1,004
B	38,93	1,53
C	30,12	1,18
D	17,25	0,68
E	10,89	0,43
G	11,62	0,46
H	8,54	0,34
L	1,55	0,6
M	19,47	0,77
N	1	0,04
P	4,06	0,16



Pin 1 :	Base
Pin 2 :	Emitter
Case :	Collector



**BDX63, A, B, C**